

DA 2360

Extractor unit

with energy-efficient LED lighting and light-touch switches for easy use.



- Customised kitchen design – fully integrated in 584 mm width
- Space saving – suitable for narrow wall units over 30 cm deep
- Powerful – 600 m³/h in Booster level
- Efficient filtration- 10-ply stainless-steel grease filter
- Safe and easy to clean – Miele CleanCover



EAN: 4002515792193 / Material number: 10568370 /
Old Material Number: 28236055GB

Construction type and design	
Appliance colour	Stainless steel
Construction type	
Integrated extractor	•
Operating modes	
Type of air guide	Can be retrofitted
Recirculation conversion kit (order separately)	DUU 151
Active charcoal filter (order separately)	DKF 19-P
User convenience	
Electronic controls	•
Controls	Light-touch switches with LEDs
Power levels (number without Booster level)	3
Booster levels	1
Efficiency and sustainability	
Annual energy consumption in kWh/year	49.1
Energy efficiency class (A+++ – D)	A
Grease filtering efficiency class	B
Fluid dynamic efficiency class	A
Lighting efficiency class	A
Cleaning and care	
Easy-to-clean canopy interior – CleanCover	•
Filter system	
Number of dishwasher-safe stainless steel grease filters (10-ply)	1
Lighting	
Number x W	2 x 3 W
Light intensity in lx	350 lx
Colour temperature in K	3000 Kelvin
Fan	
Dual-action fan	•
AC motor	•
Exhaust air	
Air throughput in Level 1 (m ³ /h) according to EN 61591	250
Air throughput in Level 2 (m ³ /h) according to EN 61591	300
Air throughput in Level 3 (m ³ /h) according to EN 61591	360
Air throughput in Booster level 1 (m ³ /h) according to EN 61591	600
Sound power in Level 1 (dB(A) re 1 pW) according to EN 60704-3	47.0
Sound power in Level 2 (dB(A) re 1 pW) according to EN 60704-3	48.0
Sound power in Level 3 (dB(A) re 1 pW) according to EN 60704-3	52.0
Sound power in Booster level 1 (dB(A) re 1 pW) acc. to EN 60704-3	64.0
Sound pressure in Level 1 (dB(A) re 20 µPa) according to EN 60704-2-13	31.0
Sound pressure in Level 2 (dB(A) re 20 µPa) according to EN 60704-2-13	34.0

DA 2360

Extractor unit

with energy-efficient LED lighting and light-touch switches for easy use.



EAN: 4002515792193 / Material number: 10568370 /

Old Material Number: 28236055GB

Sound pressure in Level 3 (dB(A) re 20 µPa) according to EN 60704-2-13 38.0

Sound pressure in Booster level 1 (dB(A) re 20 µPa) acc. to EN 60704-2-13 50.0

Recirculation

Air throughput in Level 1 (m³/h) according to EN 61591 190

Air throughput in Level 2 (m³/h) according to EN 61591 250

Air throughput in Level 3 (m³/h) according to EN 61591 320

Air throughput in Booster level 1 (m³/h) according to EN 61591 500

Sound power in Level 1 (dB(A) re 1 pW) according to EN 60704-3 54.0

Sound power in Level 2 (dB(A) re 1 pW) according to EN 60704-3 60.0

Sound power in Level 3 (dB(A) re 1 pW) according to EN 60704-3 64.0

Sound power in Booster level 1 (dB(A) re 1 pW) acc. to EN 60704-3 72.0

Sound pressure in Level 1 (dB(A) re 20 µPa) according to EN 60704-2-13 39.0

Sound pressure in Level 2 (dB(A) re 20 µPa) according to EN 60704-2-13 45.0

Sound pressure in Level 3 (dB(A) re 20 µPa) according to EN 60704-2-13 49.0

Sound pressure in Booster level 1 (dB(A) re 20 µPa) acc. to EN 60704-2-13 57.0

Safety

Safety switch-off •

Technical data

Canopy width in mm 584

Canopy height in mm 63

Canopy depth in mm 297

Net weight in kg 11.0

Length of supply lead in m 1.5

Standard plug fitted •

Minimum height above electric hobs in mm 450

Minimum safety distance above gas hobs (max. 12.6 kW total power, burner ≤ 4.5 kW) in mm 650

Number of phases 1

Total rated load in kW 0.22

Voltage in V 230

Fuse rating in A 10

Frequency in Hz 50

Installation notes

Extraction ducting connection at top •

Extraction connection at top and rear •

Diameter of exhaust duct in mm 150

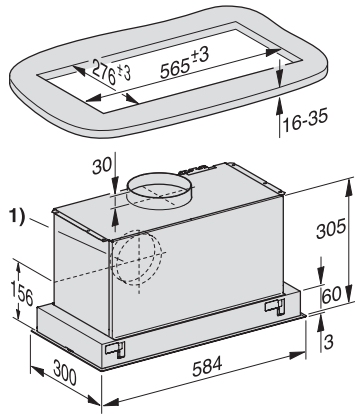
Accessories included

Non-return flap •

DA 2360

Extractor unit

with energy-efficient LED lighting and light-touch switches for easy use.



DA 2360 (Installation drawing)

The hood is fixed in the cut-out using clamps, in the cut-out. This requires a solid construction of the, solid construction of the installation surface, e.g. of wood, is required. Make sure that the, sufficient load-bearing capacity of the construction. In the area of the, In the area of the terminals, components such as struts or cables,, must be at least 25 mm away from the cut-out., have, 1) Vent connection alternatively to rear