

FN 26062 ws
Freestanding freezer
with EasyOpen lever handle and Frost free for added convenience.



- No icing up of food and no need to defrost thanks to Frost free
- Convenient and effortless opening – EasyOpen
- Freezer compartment can be increased in size with-VarioRoom

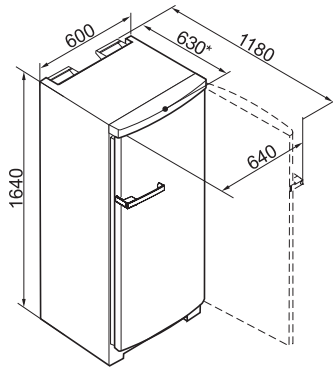


EAN: 4002515639214 / Material number: 10243210 / Old Material Number: 37260620EU1

Appliance category	
Freezer	•
Construction type	
Freestanding appliance	•
Door hinge	right
Convertible door hinging	•
Design	
Casing colour	White
Front colour	White
User convenience	
NoFrost	•
VarioRoom	•
Concealed door opener	EasyOpen lever handle
Control system	
Operating concept	PicTronic
Independent temperature regulation of fridge and freezer zones	No
SuperFreeze	•
No. of temperature zones	1
Freezer/Freezer section	
Number of freezer drawers	7
Efficiency and sustainability	
Energy efficiency class (A–G)	F
Annual energy consumption in kWh	290.78
Energy consumption in 24 h in kWh	0.79
Safety	
Acoustic door alarm	•
Optical temperature alarm	•
Technical data	
Appliance width in mm	600
Appliance height in mm	1644
Appliance depth in mm	630
Weight in kg	65.0
Climate class	SN-T
4* freezer compartment in l	232
Total usable capacity in l	232
Storage time in case of fault in h	8
Freezer capacity in kg/24 h	13.10
Acoustic airborne noise emission class (A–D)	C
Sound emissions in dB(A) re 1 pW	41
Current consumption (mA)	1300
Voltage in V	220-240
Fuse rating in A	10
Number of phases	1
Frequency in Hz	50
Length of supply lead in m	2.4
Replacing lamps	Service
Accessories included	
Ice cube tray	•

FN 26062 ws
Freestanding freezer
with EasyOpen lever handle and Frost free for added convenience.

[mm]



FN12621S-1, FN26062, FN26065 (installation drawings)
(*footnote)

*To ensure that energy consumption as stated is achieved, machines should be used together with the enclosed spacer brackets. This increases the total depth of the unit by approx. 3.5 cm. , Machines are still fully functional when operated without these brackets but have a slightly higher energy consumption.,