

KM 2335
Gas hob
with a mono wok burner for special applications.



- Easy and direct controls – operation via rotary controls
- Modern design – 774 mm wide for flush-fit installation
- Particularly versatile – 5 burners incl. 1 mono wok
- Extremely safe – GasStop function
- Easy cleaning – dishwasher-safe ComfortClean pot rests

EAN: 4002515334966 / Material number: 09626960 / Old Material Number: 26233560GB

Heating type	
Heating type	Gas
Construction type	
Independent of cooker	•
Design	
Flush	•
Cast iron pot rests (matt black enamelled)	•
Cooking zone details	
Number of cooking zones	5
Gas burner power rating	
Small burner in kW	1.00
Medium burner in kW	1.70
Large burner in kW	2.00
Mono wok burner in kW	4.00
1st cooking zone/cooking area	
Position	front left
Type	Economy burner
2nd cooking zone/cooking area	
Position	rear left
Type	High-speed burner
3rd cooking zone/cooking area	
Position	Centred
Type	Single wok burner
4th cooking zone/cooking area	
Position	rear right
Type	High-speed burner
5th cooking zone/cooking area	
Position	front right
Type	Standard burner
User convenience	
Operation via sensor controls	Knob
Operation via knobs	•
Electronic ignition with single-hand operation	•
Cleaning and care	
Dishwasher-proof pot rests	•
Safety	
GasStop	•
Technical data	
Dimensions (H x W x D) in mm	75 x 774 x 512
Dimensions in mm (width)	774
Dimensions in mm (height)	75
Dimensions in mm (depth)	512
Cut-out dimensions (W x D) with flush-fit installation in mm	762/776 x 500/514
Cutout dimensions in mm (width) with surface-mounted installation	776
Cutout dimensions in mm (depth) with surface-mounted installation	514
Casing height incl. connection box in mm	100
Internal cutout dimensions in mm (width) with flush installation	762

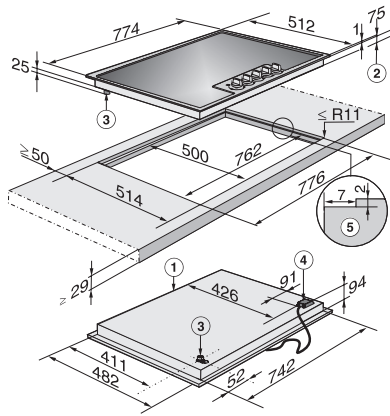
KM 2335
Gas hob
with a mono wok burner for special applications.



EAN: 4002515334966 / Material number: 09626960 / Old Material Number: 26233560GB

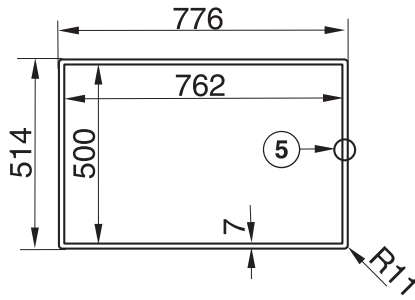
Internal cutout dimensions in mm (depth) with flush installation	500
Weight in kg	17
External cutout dimensions in mm (width) with flush installation	776
External cutout dimensions in mm (depth) with flush installation	514
Length of supply lead in m	2.0
Position of gas connection	Hinten links
Voltage in V	220-240
Frequency in Hz	50-60
Accessories included	
Mains cable	No
Jets for natural gas	•
Wok ring	•
Small trivet	•

KM 2335
Gas hob
with a mono wok burner for special applications.



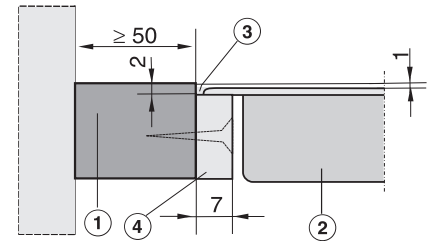
KM 2335 (installation drawing)

1. Front, 2. Building-in depth, 3. Gas connection R 1/2 - ISO 7-1 (DIN EN 10226), 4. Mains connection box with mains connection cable L 2000 mm, 5) Stepped cut-out



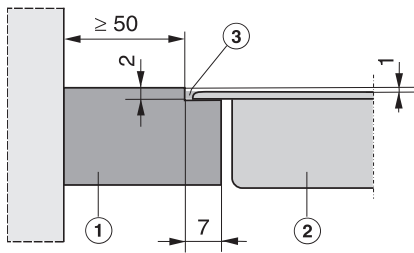
KM 2335 (installation drawing) – Cut-out for granite or marble worktops

5) Stepped cut-out



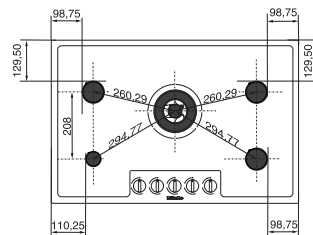
KM 2335 (installation drawing)

1. Worktop, 2. Fixing bracket, 3. Cooktop, 4. Wooden frame (to be provided on site),



KM 2335 (installation drawing)

1. Worktop, 2. Cooktop, 3 Gap



KM 2335 (Skizze) Distance