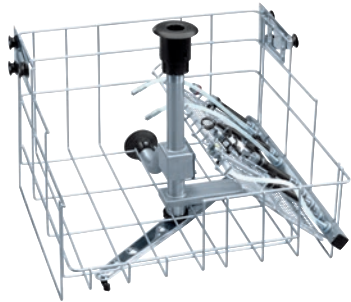


O 176/1

Upper basket

for the optimum loading of instruments for MIS, arthroscopy and urology.



- Equipped w/ 10 holding options & integrated magnetic spray arm
- Left inserts, right hollow instruments (up to 500 mm)
- Magnet for use with spray arm sensors for PG 8535, PG 8536
- Powder dispensing not possible
- Equipped with connection for hot air drying

EAN: 4002514556208 / Material number: 07333070 / Old Material Number: 69117602D

|   |                 |
|---|-----------------|
| <b>Product category</b>   |                 |
| Washer-disinfectors, medical  | •               |
| <b>Machine affiliation</b>  |                 |
| PG 8535   | •               |
| PG 8536   | •               |
| <b>Product category</b>   |                 |
| Injector basket   | •               |
| Upper basket  | •               |
| <b>Product properties</b>   |                 |
| Material  | Stainless steel |
| Colour  | Stainless Steel |
| <b>Area of application</b>  |                 |
| Reprocessing of MIS instruments   | •               |
| <b>Capacity</b>   |                 |
| Lumened instruments [number]  | 10              |
| <b>Standard electrical connection</b>                                     |                 |
| Number of phases  | 0               |
| Voltage in V  | 0               |
| Frequency in Hz   | 0               |
| Total rated load in kW  | 0.00            |
| Fuse rating in A  | 0               |
| <b>Dimensions and weight</b>  |                 |
| External dimensions, net height in mm                                     | 423             |
| External dimensions, net width in mm                                      | 529             |
| External dimensions, net depth in mm                                      | 529             |
| External dimensions, gross height in mm                                   | 540             |
| External dimensions, gross width in mm                                    | 270             |
| External dimensions, gross depth in mm                                    | 525             |
| Net weight in kg  | 2.40            |
| Gross weight in kg  | 3.30            |
| <b>Companion pack</b>   |                 |
| E 442 irrigation sleeve, Ø 11 mm, length 121 mm, with cap Ø 6 mm [number] | 2               |
| E 448 silicone hose with female Luer Lock adapter [number]                | 2               |
| E 452 injector nozzle 2.5 x 60 mm [number]                                | 1               |
| E 453 injector nozzle 4 x 110 mm with retaining clip [number]             | 1               |
| E 454 injector nozzle for trocar sleeves 10–15 mm [number]                | 1               |
| Spray jet, Ø 2.5 mm [number]  | 2               |
| Spray jet, Ø 4 mm [number]  | 4               |
| Funnel [number]   | 4               |