

DAD 4370 Levantar

Downdraft extractor

916 mm | 655 m³/h | 62.0 dB(a) | Touch | Con@ctivity | DynamicWhite | ECO motor



- Easy recirculation mode installation with plug&play accessory set
- Motorised retractable deflector plate – Hood in Motion
- -
- DynamicWhite – harmonisation of colour temperature with other light sources
- Efficient filtration- 10-ply stainless-steel grease filter

EAN: 4002516975083 / Material number: 12963330 /
Old Material Number: 28D4370BGB

General information	
Model identifier	DAD 4370 Levantar
Manufacturer material number	12963330
EAN number	4002516975083
Marketing class	Gold
Construction type	
Downdraft extractor	•
Appliance type and design	
Appliance colour	Obsidian black
Operating modes	
Type of air guide	Can be retrofitted
Recirculation conversion kit (order separately)	DUU 600,DUP 150
Active charcoal filter (order separately)	DKF 30-P, DKF 30-R
Design	
Edge extraction	•
User convenience	
Miele@home	•
Electronic controls	•
Con@ctivity	Personalised
Touch-on-glass controls	•
Power levels (number without Booster level)	3
Run-on time 5/15 min.	•
Booster levels	2
Grease filter saturation indicator	•
Active charcoal filter saturation indicator	•
Motor-operated cooker hoods	•
Easy-to-clean canopy interior – CleanCover	•
Efficiency	
Energy efficiency class (A+++ – D)	A
ECO motor (DC motor)	•
PowerManagement system	•
Annual energy consumption in kWh/year	41,1
Fluid dynamic efficiency class	A
Lighting efficiency class	A
Grease filtering efficiency class	B
Filter system	
Number of dishwasher-safe stainless steel grease filters (10-ply)	2
Lighting	
Number x W	1 x 12 W
Light intensity in lx	400 lx
Colour temperature in K	3500 Kelvin
Dimmer function	•
Fan	
Dual-action blower	•
Exhaust air	
Air throughput in Level 1 (m ³ /h) according to EN 61591	205
Air throughput in Level 2 (m ³ /h) according to EN 61591	350

DAD 4370 Levantar

Downdraft extractor

916 mm | 655 m³/h | 62.0 dB(a) | Touch | Con@ctivity | DynamicWhite | ECO motor



EAN: 4002516975083 / Material number: 12963330 /

Old Material Number: 28D4370BGB

Air throughput in Level 3 (m ³ /h) according to EN 61591	450
Air throughput in Booster level 1 (m ³ /h) according to EN 61591	610
Air throughput in Booster level 2 (m ³ /h) according to EN 61591	655
Sound power in Level 1 (dB(A) re 1 pW) according to EN 60704-3	43,0
Sound power in Level 2 (dB(A) re 1 pW) according to EN 60704-3	55,0
Sound power in Level 3 (dB(A) re 1 pW) according to EN 60704-3	62,0
Sound power in Booster level 1 (dB(A) re 1 pW) acc. to EN 60704-3	69,0
Sound power in Booster level 2 (dB(A) re 1 pW) acc. to EN 60704-3	71,0
Sound pressure in Level 1 (dB(A) re 20 µPa) according to EN 60704-2-13	30,0
Sound pressure in Level 2 (dB(A) re 20 µPa) according to EN 60704-2-13	42,0
Sound pressure in Level 3 (dB(A) re 20 µPa) according to EN 60704-2-13	48,0
Sound pressure in Booster level 1 (dB(A) re 20 µPa) acc. to EN 60704-2-13	55,0
Sound pressure in Booster level 2 (dB(A) re 20 µPa) acc. to EN 60704-2-13	57,0
Recirculation	
Air throughput in Level 1 (m ³ /h) according to EN 61591	165
Air throughput in Level 2 (m ³ /h) according to EN 61591	320
Air throughput in Level 3 (m ³ /h) according to EN 61591	420
Air throughput in Booster level 1 (m ³ /h) according to EN 61591	525
Air throughput in Booster level 2 (m ³ /h) according to EN 61591	560
Sound power in Level 1 (dB(A) re 1 pW) according to EN 60704-3	49,0
Sound power in Level 2 (dB(A) re 1 pW) according to EN 60704-3	63,0
Sound power in Level 3 (dB(A) re 1 pW) according to EN 60704-3	69,0
Sound power in Booster level 1 (dB(A) re 1 pW) acc. to EN 60704-3	74,0
Sound power in Booster level 2 (dB(A) re 1 pW) acc. to EN 60704-3	75,0
Sound pressure in Level 1 (dB(A) re 20 µPa) according to EN 60704-2-13	36,0
Sound pressure in Level 2 (dB(A) re 20 µPa) according to EN 60704-2-13	50,0
Sound pressure in Level 3 (dB(A) re 20 µPa) according to EN 60704-2-13	55,0
Sound pressure in Booster level 1 (dB(A) re 20 µPa) acc. to EN 60704-2-13	61,0
Sound pressure in Booster level 2 (dB(A) re 20 µPa) acc. to EN 60704-2-13	62,0

DAD 4370 Levantar

Downdraft extractor

916 mm | 655 m³/h | 62.0 dB(a) | Touch | Con@ctivity | DynamicWhite | ECO motor



EAN: 4002516975083 / Material number: 12963330 /

Old Material Number: 28D4370BGB

Safety

Safety switch-off

•

Single-ply safety glass (ESG)

•

Technical data

Canopy width in mm

916

Overall height for vented and external in in. (mm)

1008

Overall height for extraction mode and external mode
cooker hoods in mm

1288

Canopy height in mm

708

Overall height for recirculation in in. (mm)

1008

Canopy depth in mm

171

Overall height for recirculation mode cooker hoods in mm

1288

Cut-out dimension in mm (width) with surface-mounted
installation

815

Cut-out dimension in mm (depth) with surface-mounted
installation

106

Cut-out dimension in mm (width) with flush-fit installation
– internal

815

Cut-out dimension in mm (depth) with flush-fit installation
– internal

106

Cut-out dimension in mm (width) with flush-fit installation
– external

920

Cut-out dimension in mm (depth) with flush-fit installation
– external

124

Net weight in kg

34,0

Length of supply lead in m

1,4

Standard plug fitted

•

Installation on unit floor

Yes

Installation on floor

Yes

Min. base unit width in mm

900

Glass frame width in mm

916

Number of phases

1

Total rated load in kW

0,25

Voltage in V

230

Fuse rating in A

10

Frequency in Hz

50

Installation notes

Bottom exhaust duct

•

Diameter of exhaust duct in mm

150

Optimum combination with hob subject to availability

KM 8575 FL

Joint installation with hob in one cut-out

Yes

Flush-fit installation

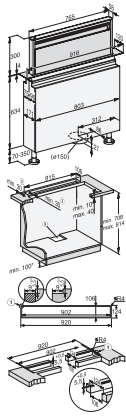
Yes

Surface-mounted installation

Yes

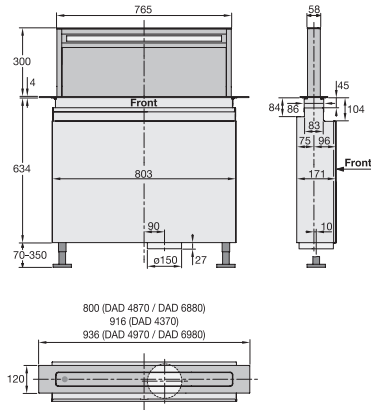
DAD 4370 Levantar Downdraft extractor

916 mm | 655 m³/h | 62.0 dB(a) | Touch | Con@ctivity | DynamicWhite | ECO motor

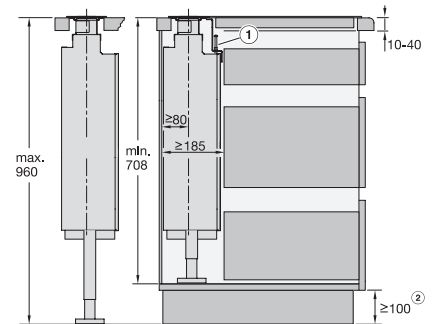


DAD4370, Installation drawings

1. Stepped cutout for flush-fit installation in stone worktops (granite, marble), 2. Ensure that materials are sufficiently stable, 3. Cut-out off-centre, Exhaust duct \varnothing 150 mm., *Only required when flat ducting is laid under cabinets or the DUU 600 recirculation box is used.

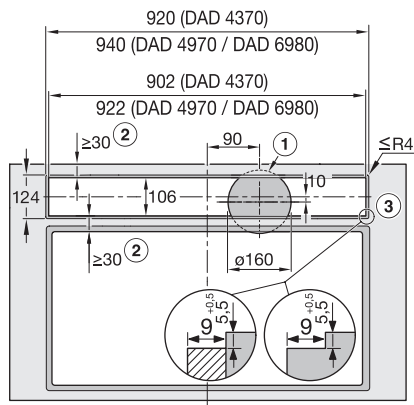


DAD4370, DAD4870, DAD4970, DAD6880, DAD6980, Installation drawings



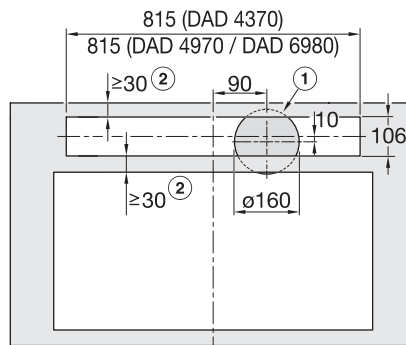
DAD4370, DAD4870, DAD4970, DAD6880, DAD6980, Installation drawings

1. If you install the extractor hood and hob flush with each other in a shared cut-out, you must use the angle strip provided., 2. The minimum dimension is required if flat ducts are installed under the cabinets or if the DUU 600 recirculation box is used.



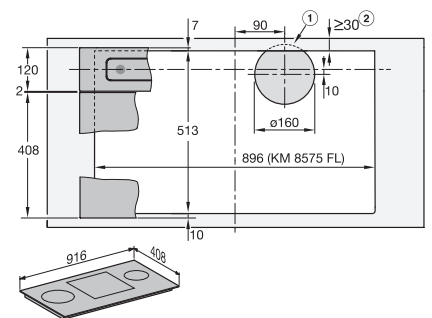
DAD4370, DAD4970, DAD6980, flush, Installation drawings

Installation of the downdraft hood and cooktop in separate cutouts., Flush installation., 1. Cut-out for exhaust air duct in the cabinet base., 2. Ensure sufficient stability of the worktop., 3. Step milling for flush mounting in a countertop. Note the, the different milling widths for the hob and the downdraft. Instead of a step milling, a wooden strip offset 5.5 mm downwards can be installed as an alternative (not included in the scope of delivery)., Exhaust air connection \varnothing 150 mm.



DAD4370, DAD4970, DAD6980, overlying, Installation drawings

Installation of the downdraft hood and cooktop in separate cutouts., Surface-mounted installation., 1. Cutout for exhaust air line in cabinet base., 2. Ensure sufficient stability of the worktop., Exhaust air connection \varnothing 150 mm



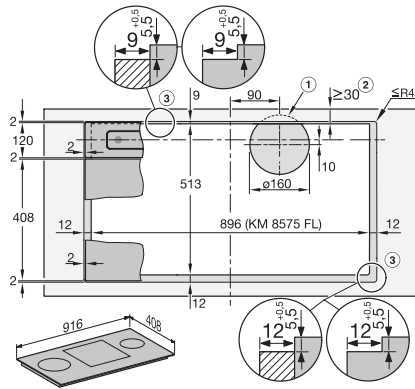
DAD4370, surface mounted installation, common cutout, Installation drawings

Side-by-side installation of the downdraft hood and the cooktop in a common cutout., Example: combination with KM 8575 FL., Surface-mounted installation., 1. Cut-out for exhaust air line in cabinet base., 2. Ensure sufficient stability of the worktop., Exhaust air connection \varnothing 150 mm.

DAD 4370 Levantar

Downdraft extractor

916 mm | 655 m³/h | 62.0 dB(a) | Touch | Con@ctivity | DynamicWhite | ECO motor



DAD4370, flush, Installation drawings

Side-by-side installation of the downdraft hood and the cooktop in a common cutout., Example: combination with KM 8575 FL., Flush installation, 1. Cut-out for exhaust air duct in the cabinet base., 2. Ensure sufficient stability of the worktop., 3. Step milling for flush mounting in a worktop. Note the, the different milling widths for the hob and the downdraft. , Instead of a step milling, a 5.5 mm downwardly offset wooden strip can be installed (not included in the scope of delivery)., , Exhaust air connection ø 150 mm.