

KMDA 7876 FL-U MattFinish

Induction hob with integrated vapour extraction

and MattFinish with 2 PowerFlex XL cooking areas for recirculation mode



- Elegant surface for a unique kitchen design – MattFinish
- The quietest TwoInOne from Miele – Silence motor
- Flexible installation – Plug&Play or ducted recirculation mode
- Ample space – 4 large cooking zones incl. 2 PowerFlex XL areas
- Networking with Con@ctivity and Miele@home

EAN: 4002516787471 / Material number: 12515480 / Old Material Number: 26787679GB

Construction type	
Induction hob with integrated vapour extraction	•
Operating modes	
Recirculation air guided with optional accessories	DFK-xxxx, DUU 1500, DUU 600
Recirculation air guided with optional accessories	Recirculation
Unguided recirculation air (Plug&Play installation)	Yes
Design	
Elegant glass ceramic surface	•
Flush	•
Scratch-resistant surface	MattFinish
Ceramic surface colour	Matt black
Anti-fingerprint effect	•
Frameless – surface-mounted	•
Flush fit extractor	•
Colour of cover grille	Black
Grease filter colour	Black
Cooking zone details	
Number of cooking zones	4
Number of cooking areas	2
Maximum number of pans	4
PowerFlex cooking zones	
No.	4
Type	PowerFlex XL cooking area
Diameter in mm	Ø 150 – 230
Rating in W	2100
Booster in W	3000
TwinBooster in W	3650
1st cooking zone/cooking area	
Position	Left
Type	PowerFlex XL cooking area
Size in mm	230x460
Max. Booster power rating in W	4800
Max. rating in W	3400
Max. TwinBooster power rating in W	7300
2nd cooking zone/cooking area	
Position	right
Type	PowerFlex XL cooking area
Size in mm	230x460
Max. Booster power rating in W	4800
Max. rating in W	3400
Max. TwinBooster power rating in W	7300
User convenience	
Miele@home	•
Operation via sensor controls	ComfortSelect White
Automatic function Con@ctivity	•
Digital power level display	•
Display colour	White

KMDA 7876 FL-U MattFinish

Induction hob with integrated vapour extraction
and MattFinish with 2 PowerFlex XL cooking areas for recirculation mode



EAN: 4002516787471 / Material number: 12515480 / Old Material Number: 26787679GB

Auto heat-up	•
Permanent pan recognition	•
Keeping warm	•
Stop & Go function	•
Recall function	•
Minute minder	•
Safety switch-off	•
Individual setting options (e.g. buzzers)	•
Active charcoal filter saturation indicator	•
Run-on time 5/15 min.	•
Grease filter saturation indicator	•
Efficiency and sustainability	
ECO motor	•
Silence motor	•
Cleaning and care	
Easy to clean ceramic glass	•
Easy-to-clean canopy interior – CleanCover	•
Wipe protection	•
Filter system	
Number of dishwasher-safe stainless steel grease filters (10-ply)	1
Exhaust air	
Air throughput in Intensive level (m ³ /h) according to EN 61591	610
Air throughput in Booster level (m ³ /h) according to EN 61591	610
Recirculation	
Air throughput at min. level (m ³ /h) according to EN 61591	145
Air throughput at max. level (m ³ /h) according to EN 61591	465
Air throughput in Booster level (m ³ /h) according to EN 61591	510
Sound power at min. level (dB(A) re 1 pW) according to EN 60704-3	47,0
Sound power at max. level (dB(A) re 1 pW) according to EN 60704-3	68,0
Sound pressure at min. level (dB(A) re 20 µPa) according to EN 60704-2-13	34,0
Sound power in Booster level (dB(A) re 1 pW) acc. to EN 60704-3	70,0
Sound pressure at max. level (dB(A) re 20 µPa) according to EN 60704-2-13	55,0
Sound pressure in Booster level (dB(A) re 20 µPa) acc. to EN 60704-2-13	57,0
Safety	
Safety switch-off	•
Lock function	•
System lock	•
Integrated cooling fan	•
Overheating protection	•
Residual heat indicator	•

KMDA 7876 FL-U MattFinish

Induction hob with integrated vapour extraction
and MattFinish with 2 PowerFlex XL cooking areas for recirculation mode



EAN: 4002516787471 / Material number: 12515480 / Old Material Number: 26787679GB

Connection for window contact switch

•

Technical data

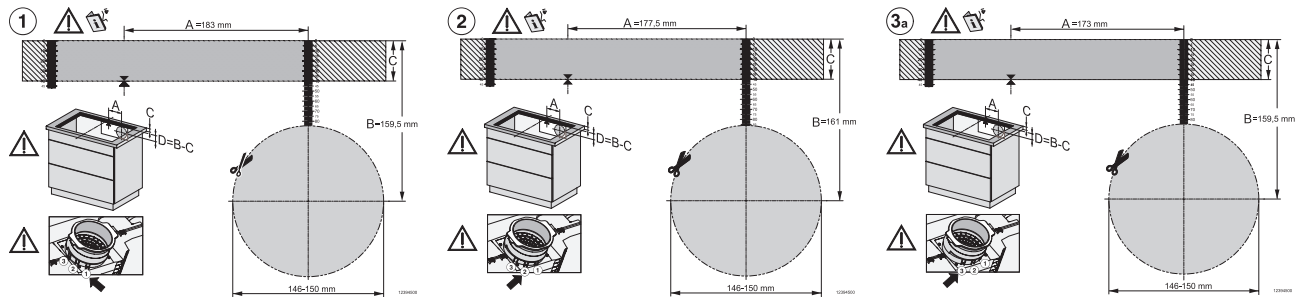
Dimensions in mm (width)	800
Dimensions in mm (height)	238
Dimensions in mm (depth)	520
Cutout dimensions in mm (width) with surface-mounted installation	780
Cutout dimensions in mm (depth) with surface-mounted installation	500
Casing height incl. connection box in mm	238
Internal cutout dimensions in mm (width) with flush installation	780
Internal cutout dimensions in mm (depth) with flush installation	500
Weight in kg	20
External cutout dimensions in mm (width) with flush installation	804
External cutout dimensions in mm (depth) with flush installation	524
Total rated load in kW	7,50
Voltage in V	230
Frequency in Hz	50-60
Length of supply lead in m	1,4

Accessories included

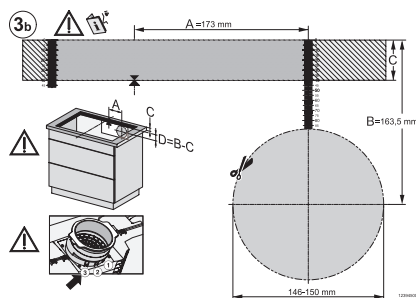
Mains cable	Yes
Active charcoal filter for recirculation mode	•
Plug&Play adapter	•

KMDA 7876 FL-U MattFinish

Induction hob with integrated vapour extraction and MattFinish with 2 PowerFlex XL cooking areas for recirculation mode

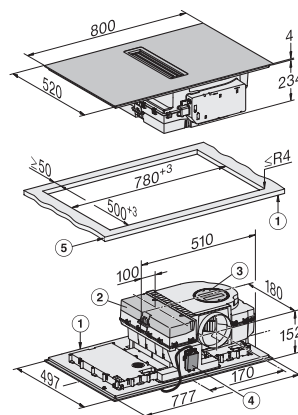


KMDA7676FL-U BlackPerfection, KMDA7876FL-U – flush installation, drilling template, Installation depth 23,8 cm



KMDA7676FL-U, KMDA7876FL-U – flush installation, drilling template, Installation depth 24,8 cm, Installation drawing

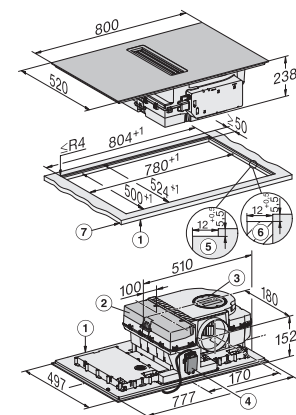
KMDA7676FL-U, KMDA7876FL-U – surface installation, drilling template, 23,8 cm, Installation drawing



KMDA7676FL, KMDA7876FL – Installation drawing

1) Front, 2) Removable drip tray, 3) Cleaning flap, 4) Mains connection box with mains connection cable, L = 1600 mm, 5) Worktop thickness, Exhaust air and guided recirculation mode: ≥ 10 mm, Plug&Play operation: ≥ 10 mm – ≤ 40 mm

KMDA7676FL-U, KMDA7876FL-U – surface installation, 24,8 cm, drilling template, Installation drawing

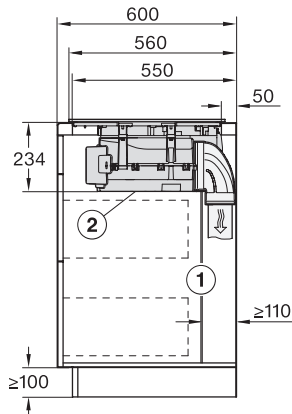


KMDA7676FL, KMDA7876FL – flush – Installation drawing

1) Front, 2) removable drip tray, 3) cleaning flap, 4) Mains connection box with mains connection cable, L = 1600 mm, 5) Step milling natural stone worktop, 6) Wooden strip 12 mm (not included in delivery), 7) Worktop thickness, Exhaust air and guided recirculation mode: ≥ 10 mm, Plug&play operation: ≥ 10 mm – ≤ 40 mm

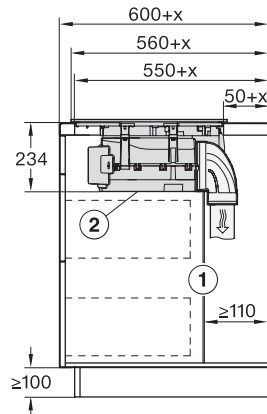
KMDA 7876 FL-U MattFinish

Induction hob with integrated vapour extraction
and MattFinish with 2 PowerFlex XL cooking areas for recirculation mode



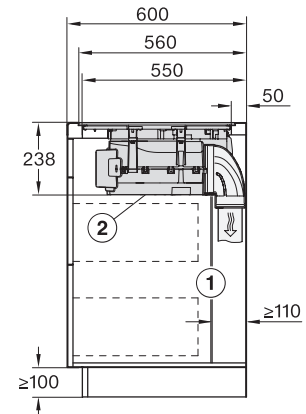
KMDA7676FL, KMDA7876FL – Side view lying on top – Installation drawing

① The rear wall of the cabinet must be removable for servicing. A minimum distance of 110 mm must be maintained for routing the exhaust air duct between the cabinet wall and an adjacent room wall or furniture., ② The removable collection tray and the cleaning flap must be accessible after installation.



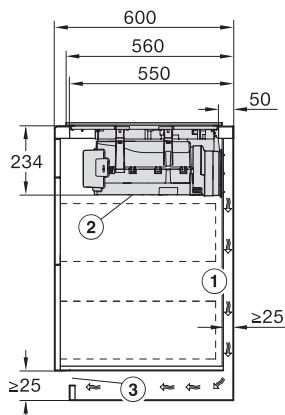
KMDA7676FL, KMDA7876FL – Side view lying on top+X – Installation drawing

① The rear wall of the cabinet must be removable for servicing. A minimum distance of 110 mm must be maintained for routing the exhaust air duct between the cabinet wall and an adjacent room wall or furniture., ② The removable collection tray and the cleaning flap must be accessible after installation., x Dimension by which the worktop depth is greater than 600 mm.



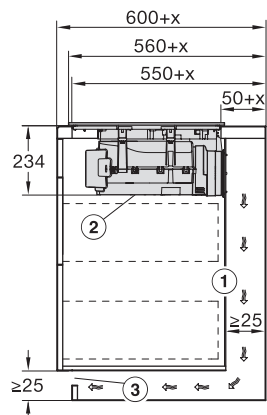
KMDA7676FL, KMDA7876FL – Side view flush – Installation drawing

① The rear wall of the cabinet must be removable for servicing. A minimum distance of 110 mm must be maintained for routing the exhaust air duct between the cabinet wall and an adjacent room wall or furniture., ② The removable collection tray and the cleaning flap must be accessible after installation.



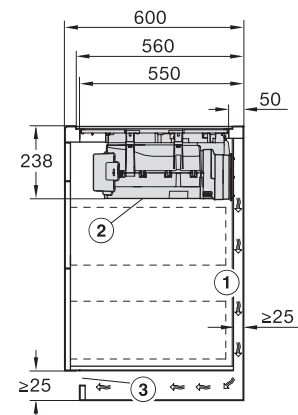
KMDA7676FL, KMDA7876FL – Side view lying on top, Plug&Play – Installation drawing

① A minimum distance of 25 mm must be maintained for routing the exhaust air duct between the cabinet wall and an adjacent room wall or furniture., ② The removable collection tray and the cleaning flap must be accessible after installation., ③ The cross-section of the vent opening must be at least 425 cm².



KMDA7676FL, KMDA7876FL – Side view lying on top+X, Plug&Play – Installation drawing

① A minimum distance of 25 mm must be maintained for routing the exhaust air duct between the carcass wall and an adjacent room wall or furniture. If the carcass rear wall is > 555 mm from the worktop front, the Plug&Play adapter must be extended with a supplementary set from Miele., ② The removable drip tray and the cleaning flap must be accessible after installation., ③ The cross-section of the vent opening must be at least 425 cm²., x Dimension by which the worktop depth is greater than 600 mm.

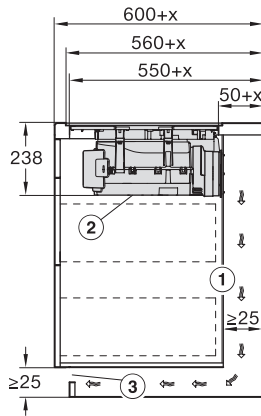


KMDA7676FL, KMDA7876FL – Side view flush, Plug&Play – Installation drawing

① A minimum distance of 25 mm must be maintained for routing the exhaust air duct between the cabinet wall and an adjacent room wall or furniture., ② The removable collection tray and the cleaning flap must be accessible after installation., ③ The cross-section of the ventilation opening must be at least 425 cm².

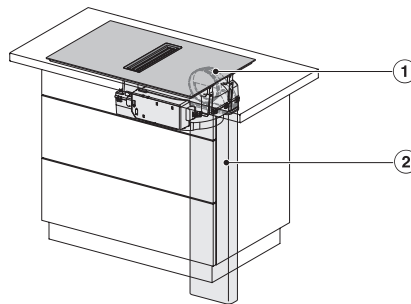
KMDA 7876 FL-U MattFinish

Induction hob with integrated vapour extraction and MattFinish with 2 PowerFlex XL cooking areas for recirculation mode



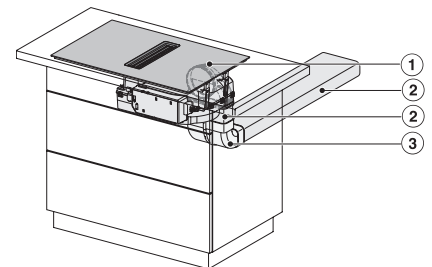
KMDA7676FL, KMDA7876FL – Side view flush+X, Plug&Play – Installation drawing

☐ A minimum distance of 25 mm must be maintained for routing the exhaust air duct between the carcass wall and an adjacent room wall or furniture. If the carcass rear wall is > 555 mm from the worktop front, the Plug&Play adapter must be extended with a supplementary set from Miele. ☐ The removable drip tray and the cleaning flap must be accessible after installation. ☐ The cross-section of the vent opening must be at least 425 cm², , x Dimension by which the worktop depth is greater than 600 mm.



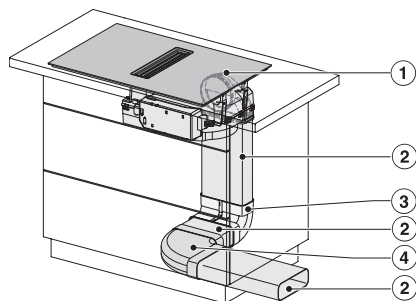
KMDA7676FL, KMDA7876FL – Installation variant 1 Basis -drawing

1) DFK-AK 90, 2) DFK-R 1000



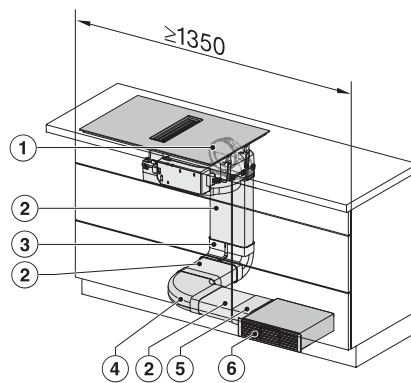
KMDA7676FL, KMDA7876FL – Installation variant 2 Basis – drawing

1) DFK-AK 90, 2) DFK-R 1000, 3) DFK-BV 90



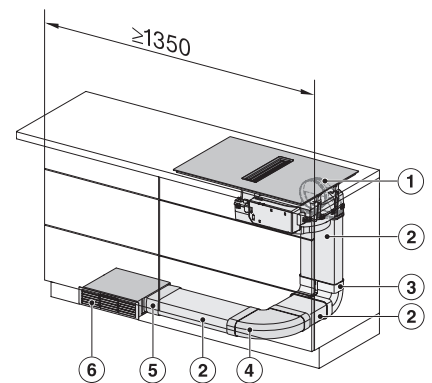
KMDA7676FL, KMDA7876FL -Installation variant 3 Basis – drawing

1) DFK-AK 90, 2) DFK-R 1000, 3) DFK-BV 90, 4) DFK-BH 90



KMDA7676FL, KMDA7876FL – Installation variant 4 Circulating air – drawing

1) DFK-AK 90, 2) DFK-R 1000, 3) DFK-BV 90, 4) DFK-BH 90, 5) DFK-V, 6) DUU 1500, , The minimum width of the cabinet is 1350 mm.

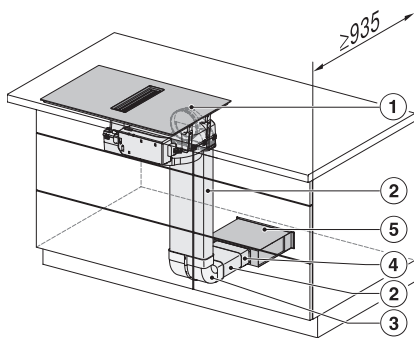


KMDA7676FL, KMDA7876FL – Installation variant 5 Circulating air – drawing

1) DFK-AK 90, 2) DFK-R 1000, 3) DFK-BV 90, 4) DFK-BH 90, 5) DFK-V, 6) DUU 1500, , The minimum depth of the cabinet is 935 mm.

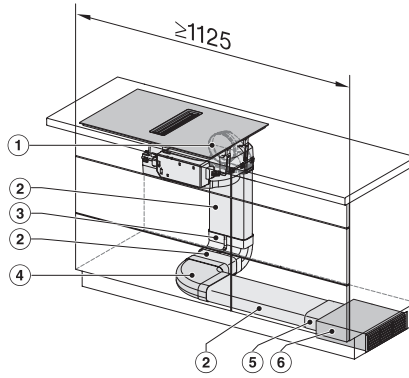
KMDA 7876 FL-U MattFinish

Induction hob with integrated vapour extraction
and MattFinish with 2 PowerFlex XL cooking areas for recirculation mode



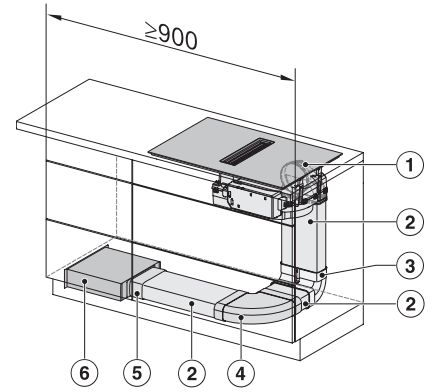
KMDA7676FL, KMDA7876FL – Installation variant
6 Circulating air – drawing

1) DFK-AK 90, 2) DFK-R 1000, 3) DFK-BV 90, 4) DFK-V,
5) DUU 1500, , The minimum depth of the cabinet is
935 mm.



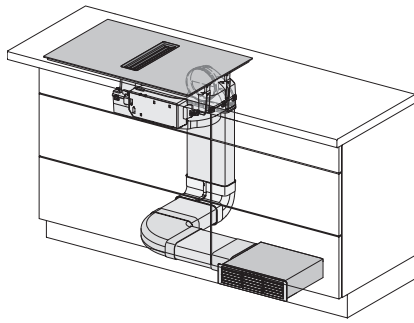
KMDA7676FL, KMDA7876FL – Installation variant
13 Circulating air – drawing

1) DFK-AK 90, 2) DFK-R 1000, 3) DFK-BV 90, 4) DFK-BH
90, 5) DFK-V, 6) DUU 1500, , The minimum width of the
cabinet is 1125 mm.

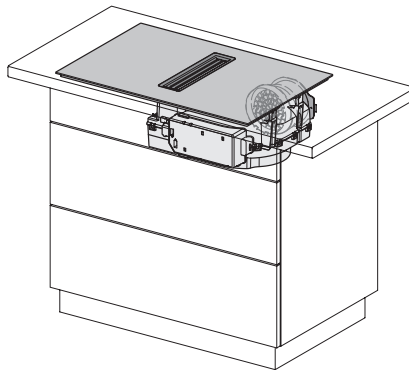


KMDA7676FL, KMDA7876FL – Installation variant
14 Circulating air – drawing

1) DFK-AK 90, 2) DFK-R 1000, 3) DFK-BV 90, 4) DFK-BH
90, 5) DFK-V, 6) DUU 1500, , The minimum width of the
cabinet is 900 mm.



KMDA7676FL/FR, KMDA7876FL/FR, Air circulation
(Installation drawing)



KMDA7676FL/FR, KMDA7876FL/FR, Plug&Play
(Installation drawing)