

## KM 7361 FR

Induction hob with onset controls

with 4 individual cooking zones at an attractive entry-level price



- Quick selection via numerical keybank – ComfortSelect
- 4 individual cooking zones in various sizes
- A width of 626 mm with stainless steel frame for surface installation
- Communication with the cooker hood – automatic Con@ctivity function

EAN: 4002516740834 / Material number: 12399710 /  
Old Material Number: 26736110GB

General information	
Model identifier	KM 7361 FR
Manufacturer material number	12399710
EAN number	4002516740834
Marketing class	Silver
Heating type	
Heating type	Induction
Construction type	
Independent of cooker	•
Design	
Elegant glass ceramic surface	•
Ceramic surface colour	Black
Stainless-steel frame	•
Surface-mounted installation	•
Cooking zone details	
Number of cooking zones	4
Number of cooking areas	0
Maximum number of pans	4
1st cooking zone/cooking area	
Position	front left
Type	Dual-circuit ring
Size in mm	Ø 110-220
Max. rating in W	2300
Max. Booster power rating in W	3000
2nd cooking zone/cooking area	
Position	rear left
Type	Dual-circuit ring
Size in mm	Ø 90-160
Max. rating in W	1350
Max. Booster power rating in W	1850
3rd cooking zone/cooking area	
Position	rear right
Type	Dual-circuit ring
Size in mm	Ø 100-190
Max. rating in W	1400
Max. Booster power rating in W	2100
4th cooking zone/cooking area	
Position	front right
Type	Dual-circuit ring
Size in mm	Ø 100-190
Max. rating in W	1400
Max. Booster power rating in W	2100
User convenience	
Networking with Miele@home	•
Con@ctivity	•
Pan and pan size recognition	•
Operation via sensor controls	ComfortSelect
Display colour	Yellow

KM 7361 FR

Induction hob with onset controls

with 4 individual cooking zones at an attractive entry-level price



EAN: 4002516740834 / Material number: 12399710 /

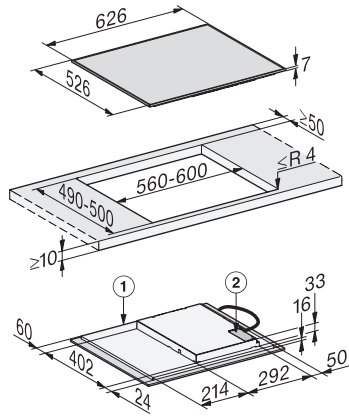
Old Material Number: 26736110GB

Permanent pan recognition	•
Stop & Go function	•
Recall function	•
Minute minder	•
Safety switch-off	•
Auto heat-up	•
Keeping warm	•
Individual setting options (e.g. buzzers)	•
<b>Efficiency</b>	
Residual heat utilisation	•
Power rating in off mode in W	0,5
Power rating in standby mode in W	0,8
Power rating in networked standby in W	2,0
Time until automatic switch to off mode in min	10
Time until automatic switch to standby in min	10
Time until automatic switch to networked standby in min	10
<b>Cleaning and care</b>	
Easy to clean ceramic glass	•
<b>Safety</b>	
Safety switch-off	•
Lock function	•
System lock	•
Integrated cooling fan	•
Overheating protection	•
Residual heat indicator	•
<b>Technical data</b>	
Dimensions in mm (width)	574
Dimensions in mm (height)	51
Dimensions in mm (depth)	504
Casing height incl. connection box in mm	55
Cutout dimensions in mm (width) with surface-mounted installation	560 mm - 600 mm
Cutout dimensions in mm (depth) with surface-mounted installation	490 mm - 500 mm
Weight in kg	10
Total rated load in kW	7,30
Length of supply lead in m	1,4
Voltage in V	230
Frequency in Hz	50-60
<b>Accessories included</b>	
Mains cable	Yes

## KM 7361 FR

Induction hob with onset controls

with 4 individual cooking zones at an attractive entry-level price



KM7360FR, KM7361FR surface-mounted (\*Fußnote)  
(Installation drawing)

1) front, 2) Mains connection box, The mains connection cable (L = 1440 mm) is enclosed loose