

TWD260WP 8kg  
T1 heat-pump dryer:  
A++ | 8 kg | Miele@home | EcoDry | FragranceDos



- Complete app control of your tumble dryer with Miele@home\*
- EcoDry ensures efficient performance over the entire tumble dryer service life
- FragranceDos ensures your laundry smells wonderfully fresh after drying\*\*
- PerfectDry ensures that your laundry is not too damp or too dry
- Easy fingertip operation – DirectSensor

\* Additional digital offer from Miele & Cie. KG. All smart applications are made possible with the Miele@home system. The range of functions can vary depending on the model and the country.

\*\* Patent EP 2 431 516

EAN: 4002516632689 / Material number: 12179550 / Old Material Number: 12WD2602AE

<b>Construction type</b>	
Suitable for stacking	•
Side-by-side	•
Slot-in	•
Door hinge	left, Reversible
Convertible door hinging	•
<b>Model</b>	
Product brand	T1 White Edition
Heat pump dryer	•
<b>Design</b>	
Appliance colour	Lotus white
Control panel colour	Lotus white
Door design	Obsidian black with white ring
Rotary selector colour	Lotus White
Control panel version	5° inclined
Control type	Rotary control
Display	DirectSensor yellow, 7 segment
<b>Drying results</b>	
PerfectDry precision drying	•
FragranceDos fragrance system	•
Intelligent drum reversal	•
<b>Gentle laundry care</b>	
Honeycomb drum	•
Load in kg	8,0
<b>User convenience</b>	
Networking with Miele@home	•
Wash2Dry	•
Delay start up to 24 hours	•
Time left display	•
Programme sequence indicator	No
Drum lighting	LED
Condensate container	•
Integrated condensed water drainage	•
AddLoad	•
<b>Efficiency and sustainability</b>	
EcoDry technology	•
Maintenance-free heat exchanger	•
ProfiEco motor	•
<b>Drying programmes</b>	
Cottons (coloureds)	•
Cottons arrow	•
Minimum iron	•
Delicates	•
Shirts	•
Woollens handcare	•
Express	•
Proofing	•
Bed linen	•

TWD260WP 8kg  
 T1 heat-pump dryer:  
 A++ | 8 kg | Miele@home | EcoDry | FragranceDos



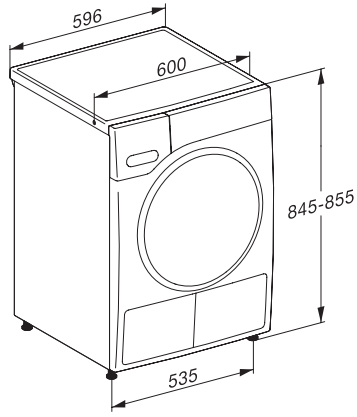
EAN: 4002516632689 / Material number: 12179550 / Old Material Number: 12WD2602AE

Warm air/DryFresh	•
<b>Drying extras</b>	
Anti-crease	•
Gentle tumble	•
Buzzer	•
<b>Quality</b>	
Soft ribs	•
<b>Safety</b>	
PIN-Code	•
Empty out container indicator	•
Clean filter indication	•
Optical interface	•
<b>Technical data</b>	
Dimensions in mm (width)	596
Dimensions in mm (height)	850
Dimensions in mm (depth)	643
Appliance depth in mm with opened door	1077
Weight in kg	53
Total rated load in kW	1,10
Voltage in V	220-240
Fuse rating in A	13
Frequency in Hz	50
Length of supply lead in m	2,0
Hermetically sealed	•
Type of coolant	R290
Refrigerant quantity in kg	0,11
Refrigerant global warming potential in CO <sub>2</sub> e	3
Appliance global warming potential in CO <sub>2</sub> e	0,33
<b>Accessories included</b>	
Fragrance flacon	•
Voucher for a second fragrance flacon	•

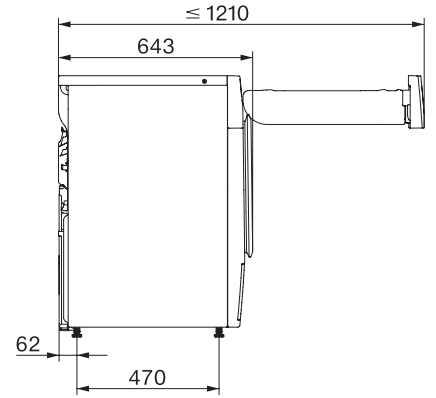
TWD260WP 8kg  
T1 heat-pump dryer:  
A++ | 8 kg | Miele@home | EcoDry | FragranceDos



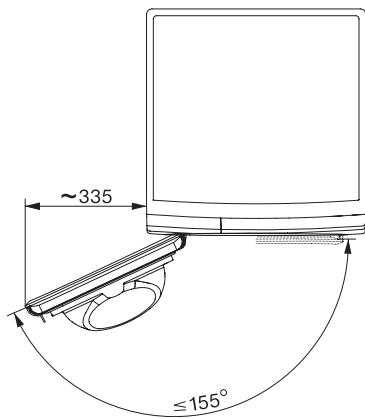
T1 installation drawing, fascia 5 degree, measures in mm



T1 drawing, fascia 5 degree, measures in mm



T1 drawing, fascia 5 degree, with porthole, measures in mm



T1 drawing, fascia 5 degree, measures in mm