

CS 7151 FL  
SmartLine element  
with a dual wok burner



- Simple controls -single-handed operation via rotary dial control
- Elegant design – for flush or raised installation
- Seamlessly integrates with any SmartLine element
- Broad performance spectrum – dual wok with up to 6.000 kW kW of power
- Easy cleaning – dishwasher-safe ComfortClean pot rests

EAN: 4002516612063 / Material number: 12106150 / Old Material Number: 27715150HK

<b>Heating type</b>	
Heating type	Gas
<b>Construction type</b>	
SmartLine	•
<b>Design</b>	
Elegant glass ceramic surface	•
Ceramic surface colour	Black
Flush	•
Surface-mounted installation	•
<b>Cooking zone details</b>	
Number of cooking zones	1
<b>1st cooking zone/cooking area</b>	
Position	Centred
Type	Dual wok burner
Size in mm	Ø 300
Max. rating in W	6000
<b>User convenience</b>	
Operation via sensor controls	Knob
Operation via knobs	•
Electronic ignition with single-hand operation	•
<b>Cleaning and care</b>	
Easy to clean ceramic glass	•
Dishwasher-proof pot rests	•
<b>Safety</b>	
GasStop	•
<b>Technical data</b>	
Dimensions (H x W x D) in mm	92 x 288 x 520
Dimensions in mm (width)	288
Dimensions in mm (height)	92
Dimensions in mm (depth)	520
Cut-out dimensions (W x D) with flush-fit installation in mm	268/292 x 500/524
Cutout dimensions in mm (width) with surface-mounted installation	268
Cutout dimensions in mm (depth) with surface-mounted installation	500
Casing height incl. connection box in mm	92
Internal cutout dimensions in mm (width) with flush installation	268
Internal cutout dimensions in mm (depth) with flush installation	500
Weight in kg	7
External cutout dimensions in mm (width) with flush installation	292
External cutout dimensions in mm (depth) with flush installation	524
Total rated load in kW	6,00
Length of supply lead in m	1,4
Voltage in V	230

CS 7151 FL  
SmartLine element  
with a dual wok burner



EAN: 4002516612063 / Material number: 12106150 / Old Material Number: 27715150HK

Frequency in Hz 50-60

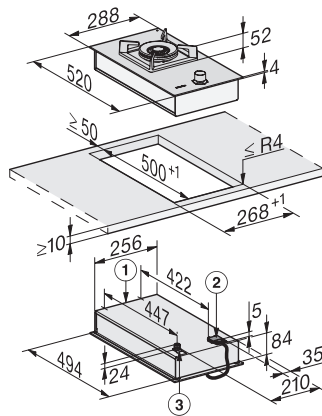
**Accessories included**

Mains cable Yes

Wok ring

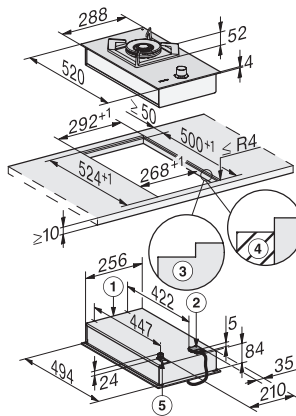
•

CS 7151 FL  
SmartLine element  
with a dual wok burner



CS7151FL overlaying – installation drawing

1) Front, 2) Mains connection box with mains connection cable, L = 2000 mm, 3) Gas connection 1/2 - ISO 7-1 (DIN EN 10226)



CS7151FL flush – installation drawing

1) Front, 2) Mains connection box with mains connection cable, L = 2000 mm, 3) Stepped cut-out, 4) Wooden strip (not supplied, for detailed drawings see chapter "Worktop cut-out for flush installation"), 5) Gas connection 1/2 - ISO 7-1 (DIN EN 10226)