

TWL780WP EcoSpeed&Steam&9kg

T1 heat-pump dryer:

with SteamFinish, DryCare 40 and SilenceDrum for gentle drying.



- SteamFinish smooths and freshens up, saving you time during ironing
- The SilenceDrum\* reduces noise for much quieter drying
- Save time sorting your laundry; DryCare 40 is perfect for a 40 °C wash\*\*
- EcoSpeed efficiently reduces the drying time by 20 minutes\*\*\*
- Complete app control of your tumble dryer with Miele@home\*\*\*\*

\* Patent EP 4 163 433

\*\* Not suitable for woollens or silks.

\*\*\* Compared to Miele tumble dryers without EcoSpeed with the same load size and energy efficiency class. Tested in the "Cottons" programme with a full load size.

\*\*\*\* Additional digital offer from Miele & Cie. KG. All smart applications are made possible with the Miele@home system. The range of functions can vary depending on the model and the country.

EAN: 4002516488316 / Material number: 11882310 / Old Material Number: 12WL7802AE

<b>Construction type</b>	
Suitable for stacking	•
Side-by-side	•
Slot-in	•
Door hinge	left, Reversible
Convertible door hinging	•
<b>Model</b>	
Product brand	T1 White Edition
Heat pump dryer	•
<b>Design</b>	
Appliance colour	Lotus white
Control panel colour	Lotus white
Door design	Obsidian black with chrome ring
Rotary selector colour	Lotus White / Chrome ring
Control panel version	5° inclined
Control type	Rotary control
Display	ComfortSensor white, 1 line
<b>Drying results</b>	
PerfectDry precision drying	•
FragranceDos <sup>2</sup> fragrance system	•
Intelligent drum reversal	•
Proven hygiene	•
Proven virus hygiene	•
<b>Gentle laundry care</b>	
SilenceDrum	•
Load in kg	9,0
<b>User convenience</b>	
Networking with Miele@home	•
Wash2Dry	•
Delay start up to 24 hours	•
Time left display	•
Programme sequence indicator	No
Drum lighting	LED
Multilingua	•
Acoustics package for the lowest sound emissions	•
Condensate container	•
Integrated condensed water drainage	•
AddLoad	•
<b>Efficiency and sustainability</b>	
EcoFeedback	•
EcoDry technology	•
Maintenance-free heat exchanger	•
ProfiEco motor	•
EcoSpeed	•
<b>Drying programmes</b>	
Automatic plus	•
Cottons (coloureds)	•
Cottons arrow	•
Minimum iron	•

TWL780WP EcoSpeed&Steam&9kg  
T1 heat-pump dryer:  
with SteamFinish, DryCare 40 and SilenceDrum for gentle drying.



EAN: 4002516488316 / Material number: 11882310 / Old Material Number: 12WL7802AE

Delicates	•
Shirts	•
Silks handcare	•
Woollens handcare	•
Express	•
Denim	•
Outerwear	•
Proofing	•
Sportswear	•
Standard pillows	•
Cool air	•
Warm air	•
Basket programme	•
Pre-Ironing	•
Bed linen	•
Steam care	•
<b>Drying extras</b>	
Anti-crease	•
Buzzer	•
DryCare 40	•
DryFresh	•
PowerFresh	•
<b>Quality</b>	
Soft ribs	•
<b>Safety</b>	
PIN-Code	•
Empty out container indicator	•
Clean filter indication	•
Optical interface	•
<b>Technical data</b>	
Dimensions in mm (width)	596
Dimensions in mm (height)	850
Dimensions in mm (depth)	643
Appliance depth in mm with opened door	1077
Weight in kg	57
Total rated load in kW	1,10
Voltage in V	220-240
Fuse rating in A	13
Frequency in Hz	50
Length of supply lead in m	2,0
Hermetically sealed	•
Type of coolant	R290
Refrigerant quantity in kg	0,14
Refrigerant global warming potential in CO <sub>2</sub> e	3
Appliance global warming potential in CO <sub>2</sub> e	0,42
<b>Accessories included</b>	
Fragrance flacon	•
Voucher for a second fragrance flacon	•

TWL780WP EcoSpeed&Steam&9kg  
T1 heat-pump dryer:  
with SteamFinish, DryCare 40 and SilenceDrum for gentle drying.



EAN: 4002516488316 / Material number: 11882310 / Old Material Number: 12WL7802AE

#### Available display languages

Available display languages via MultiLingua

bahasa malaysia, dansk,  
deutsch, english (AU),  
english (GB), english  
(US), español, français  
(CA), français (FR),  
hrvatski, italiano, magyar,  
nederlands, norsk, polski,  
português, русский,  
română, slovenčina,  
slovenščina, srpski,  
suomi, svenska, türkçe,  
українська, čeština,  
ελληνικά, , , ,

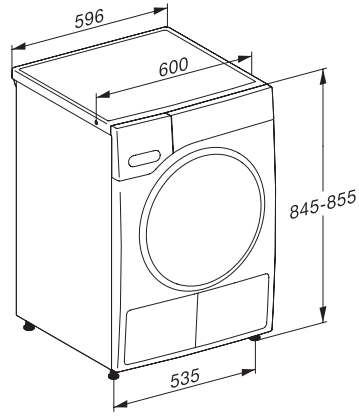
TWL780WP EcoSpeed&Steam&9kg

T1 heat-pump dryer:

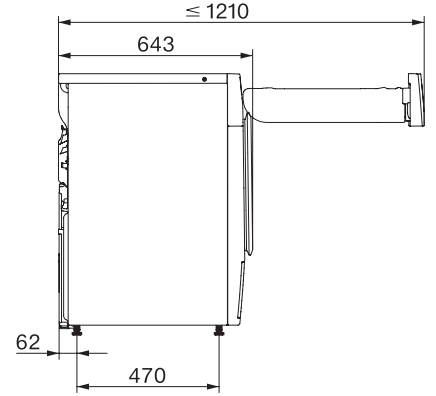
with SteamFinish, DryCare 40 and SilenceDrum for gentle drying.



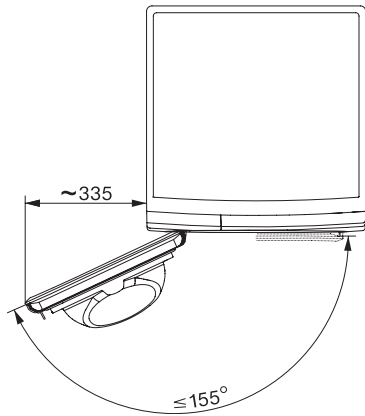
T1 installation drawing, facia 5 degree, measures in mm



T1 drawing, facia 5 degree, measures in mm



T1 drawing, facia 5 degree, with porthole, measures in mm



T1 drawing, facia 5 degree, measures in mm