

TWC220WP 8kg

T1 heat-pump dryer:

A++ | 8 kg | EcoDry | FragranceDos | PerfectDry



- EcoDry for efficient performance over the entire tumble dryer service life*
- FragranceDos ensures your laundry smells wonderfully fresh after drying**
- PerfectDry ensures that your laundry is not too damp or too dry
- Highest condensation efficiency protects both furniture and rooms
- Easy fingertip operation – DirectSensor

* Patent EP 2 455 537

** Patent EP 2 431 516

EAN: 4002516488330 / Material number: 11882290 / Old Material Number: 12WC2202AE

Construction type	
Suitable for stacking	•
Side-by-side	•
Slot-in	•
Door hinge	left, Reversible
Convertible door hinging	•
Model	
Product brand	T1 White Edition
Heat pump dryer	•
Design	
Appliance colour	Lotus white
Control panel colour	Lotus white
Door design	White
Rotary selector colour	Lotus White
Control panel version	5° inclined
Control type	Rotary control
Display	DirectSensor yellow, 7 segment
Drying results	
PerfectDry precision drying	•
Intelligent drum reversal	•
Gentle laundry care	
Honeycomb drum	•
Load in kg	8,0
User convenience	
Delay start up to 24 hours	•
Time left display	•
Programme sequence indicator	No
Drum lighting	LED
Condensate container	•
Integrated condensed water drainage	•
AddLoad	•
Efficiency and sustainability	
EcoDry technology	•
Maintenance-free heat exchanger	•
ProfiEco motor	•
Drying programmes	
Cottons (coloureds)	•
Cottons arrow	•
Minimum iron	•
Delicates	•
Shirts	•
Woollens handcare	•
Express	•
Denim	•
Proofing	•
Pre-Ironing	•
Bed linen	•
Warm air/DryFresh	•

TWC220WP 8kg

T1 heat-pump dryer:

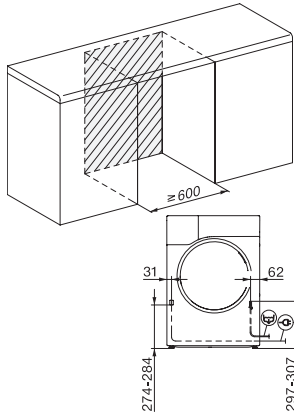
A++ | 8 kg | EcoDry | FragranceDos | PerfectDry



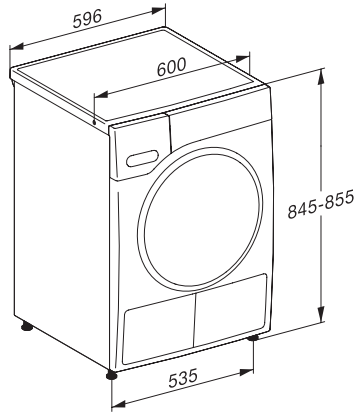
EAN: 4002516488330 / Material number: 11882290 / Old Material Number: 12WC2202AE

Drying extras	
Anti-crease	•
Gentle tumble	•
Buzzer	•
Quality of results	
Illuminated FragranceDos fragrance system	•
Quality	
Soft ribs	•
Safety	
PIN-Code	•
Empty out container indicator	•
Clean filter indication	•
Optical interface	•
Technical data	
Dimensions in mm (width)	596
Dimensions in mm (height)	850
Dimensions in mm (depth)	655
Appliance depth in mm with opened door	1077
Weight in kg	52
Total rated load in kW	1,10
Voltage in V	220-240
Fuse rating in A	13
Frequency in Hz	50
Length of supply lead in m	2,0
Hermetically sealed	•
Type of coolant	R290
Refrigerant quantity in kg	0,11
Refrigerant global warming potential in CO ₂ e	3
Appliance global warming potential in CO ₂ e	0,33
Accessories included	
Fragrance flacon	•
Voucher for a second fragrance flacon	•

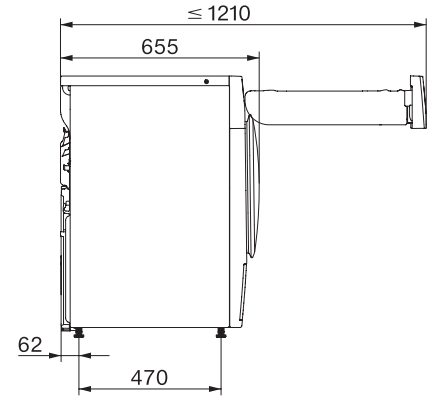
TWC220WP 8kg
T1 heat-pump dryer:
A++ | 8 kg | EcoDry | FragranceDos | PerfectDry



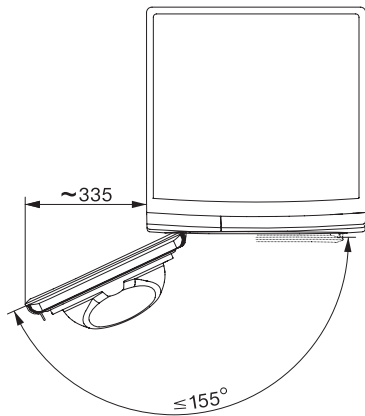
T1 installation drawing, facia 5 degree, measures in mm



T1 drawing, facia 5 degree, measures in mm



T1 drawing, facia 5 degree, without porthole, measures in mm



T1 drawing, facia 5 degree, measures in mm