

TCR780WP Eco&Steam&9kg

T1 heat-pump dryer:

with SteamFinish, SilenceDrum and M Touch for the highest demands.



- M Touch – simple control by tapping or swiping
- SteamFinish smooths and freshens up, saving you time during ironing
- The SilenceDrum\* reduces noise for much quieter drying
- Save time sorting your laundry; DryCare 40 is perfect for a 40 °C wash\*\*
- Versatile and convenient thanks to networking – Miele@home

\* Patent EP 4 163 433

\*\* Not suitable for woollens or silks.

EAN: 4002516465027 / Material number: 11871890 / Old Material Number: 12CR7802GB

Construction type	
Suitable for stacking	•
Side-by-side	•
Slot-in	•
Can be built-under	•
Door hinge	left
Model	
Product brand	T1 Chrome Edition
Heat pump dryer	•
Design	
Appliance colour	Lotus white
Control panel colour	Lotus white
Control panel version	Straight
Control type	Touch control
Display	MTouch
Drying results	
PerfectDry precision drying	•
FragranceDos <sup>2</sup> fragrance system	•
Intelligent drum reversal	•
Proven hygiene	•
Proven virus hygiene	•
Gentle laundry care	
SilenceDrum	•
Load in kg	9,0
User convenience	
Networking with Miele@home	•
Wash2Dry	•
Delay start up to 24 hours	•
Time left display	•
Time of day display	•
Programme sequence indicator	Yes
Drying assistant	•
Information text	•
Favourite programmes	•
Drum lighting	LED
MultiLingua	•
Acoustics package for the lowest sound emissions	•
Condensate container	•
Integrated condensed water drainage	•
AddLoad	•
Efficiency and sustainability	
Energy efficiency class (A+++ – D)	A+++
More economical than the threshold value (24) for energy efficiency class A+++	10%
Annual energy consumption in kWh	174
Duration in minutes in the standard programme	220
Noise in the Cottons programme with full load in db(A) re 1 pW	62
Condensation efficiency class	A
Energy consumption in kWh in the Cottons Normal dry standard programme with a full load	1,47

TCR780WP Eco&Steam&9kg

T1 heat-pump dryer:

with SteamFinish, SilenceDrum and M Touch for the highest demands.



EAN: 4002516465027 / Material number: 11871890 / Old Material Number: 12CR7802GB

EcoFeedback	•
EcoDry technology	•
Maintenance-free heat exchanger	•
ProfiEco motor	•
<b>Drying programmes</b>	
Automatic plus	•
Cottons (coloureds)	•
Cottons arrow	•
Minimum iron	•
Delicates	•
Shirts	•
Silks handcare	•
Woollens handcare	•
Express	•
Denim	•
Outerwear	•
Proofing	•
Sportswear	•
Standard pillows	•
Large pillows	•
Cottons hygiene	•
Cool air	•
Warm air	•
Basket programme	•
Pre-Ironing	•
Bed linen	•
Steam care	•
<b>Drying extras</b>	
Anti-crease	•
Gentle tumble	•
Freshen up	•
Buzzer	•
DryCare 40	•
DryFresh	•
PowerFresh	•
<b>Quality</b>	
Soft ribs	•
<b>Safety</b>	
PIN-Code	•
Empty out container indicator	•
Clean filter indication	•
Optical interface	•
<b>Technical data</b>	
Dimensions in mm (width)	596
Dimensions in mm (height)	850
Dimensions in mm (depth)	636
Appliance depth in mm with opened door	1054
Appliance depth excluding door (for building-under) in mm	600
Weight in kg	62
Total rated load in kW	1,10
Voltage in V	220-240

TCR780WP Eco&Steam&9kg

T1 heat-pump dryer:

with SteamFinish, SilenceDrum and M Touch for the highest demands.



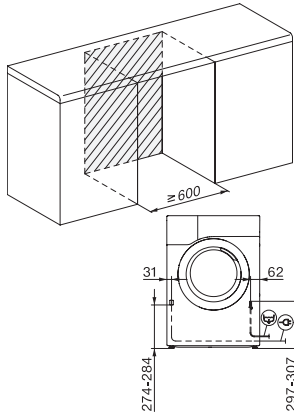
EAN: 4002516465027 / Material number: 11871890 / Old Material Number: 12CR7802GB

Fuse rating in A	13
Frequency in Hz	50
Length of supply lead in m	2,0
Contains fluorinated greenhouse gases	•
Hermetically sealed	•
Type of coolant	R134a
Refrigerant quantity in kg	0,48
Refrigerant global warming potential in CO <sub>2</sub> e	1430
Appliance global warming potential in CO <sub>2</sub> e	686,00
Replacing lamps	Service
<b>Accessories included</b>	
Fragrance flacon	•
Voucher for a second fragrance flacon	•
<b>Available display languages</b>	
Available display languages via MultiLingua	bahasa malaysia, dansk, deutsch, english (AU), english (CA), english (GB), english (US), español, français (CA), français (FR), hrvatski, italiano, magyar, nederlands, norsk, polski, português, русский, română, slovenčina, slovenščina, srpski, suomi, svenska, türkçe, українська, čeština, ελληνικά,

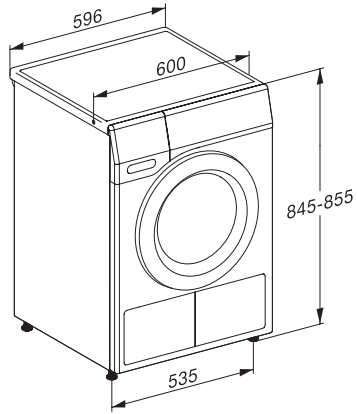
TCR780WP Eco&Steam&9kg

T1 heat-pump dryer:

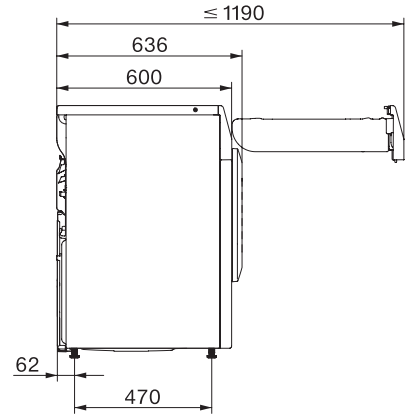
with SteamFinish, SilenceDrum and M Touch for the highest demands.



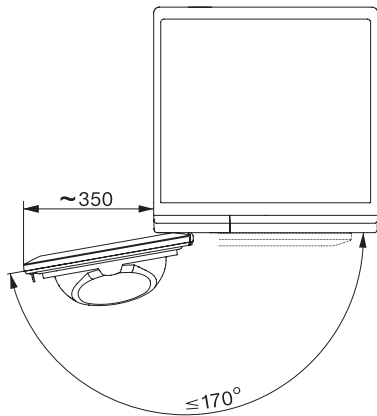
T1 installation drawing, slanted facia or straight facia, measures in mm



T1 drawing, slanted facia or straight facia, measures in mm



T1 drawing, slanted facia or straight facia, with porthole, measures in mm



T1 drawing, slanted facia or straight facia, measures in mm