

TEF765WP EcoSpeed&8kg
T1 heat-pump dryer:
with A+++ and DryCare 40 for efficient yet gentle drying.



- Save time sorting your laundry; DryCare 40 is perfect for a 40 °C wash[†]
- EcoSpeed efficiently reduces the drying time by 20 minutes^{**}
- FragranceDos² ensures that your laundry smells fresh after drying^{***}
- EcoDry ensures efficient performance over the entire tumble dryer service life
- Versatile and convenient thanks to networking – Miele@home

[†] Not suitable for woollens or silks.

^{**} Compared to Miele tumble dryers without EcoSpeed with the same load size and energy efficiency class. Tested in the "Cottons" programme with a full load size.

^{***} Patent EP 2 431 516

EAN: 4002516476245 / Material number: 11871820 / Old Material Number: 12EF7652GB

| | |
|---|-------------------------------|
| Construction type | |
| Suitable for stacking | • |
| Side-by-side | • |
| Slot-in | • |
| Can be built-under | • |
| Door hinge | left |
| Model | |
| Product brand | T1 Chrome Edition |
| Heat pump dryer | • |
| Design | |
| Appliance colour | Lotus white |
| Control panel colour | Lotus white |
| Rotary selector colour | Lotus White / Chrome ring |
| Control panel version | Straight |
| Control type | Rotary control |
| Display | DirectSensor white, 7 segment |
| Drying results | |
| PerfectDry precision drying | • |
| FragranceDos ² fragrance system | • |
| Intelligent drum reversal | • |
| Proven hygiene | • |
| Proven virus hygiene | • |
| Gentle laundry care | |
| Honeycomb drum | • |
| Load in kg | 8,0 |
| User convenience | |
| Networking with Miele@home | • |
| Wash2Dry | • |
| Delay start up to 24 hours | • |
| Time left display | • |
| Programme sequence indicator | No |
| Drum lighting | LED |
| Condensate container | • |
| Integrated condensed water drainage | • |
| AddLoad | • |
| Efficiency and sustainability | |
| Energy efficiency class (A+++ – D) | A+++ |
| Annual energy consumption in kWh | 161 |
| Duration in minutes in the standard programme | 165 |
| Noise in the Cottons programme with full load in db(A) re 1 pW | 66 |
| Condensation efficiency class | A |
| Energy consumption in kWh in the Cottons Normal dry standard programme with a full load | 1,32 |
| EcoDry technology | • |
| Maintenance-free heat exchanger | • |
| ProfiEco motor | • |
| EcoSpeed | • |
| Drying programmes | |
| Cottons (coloureds) | • |

TEF765WP EcoSpeed&8kg
T1 heat-pump dryer:
with A+++ and DryCare 40 for efficient yet gentle drying.



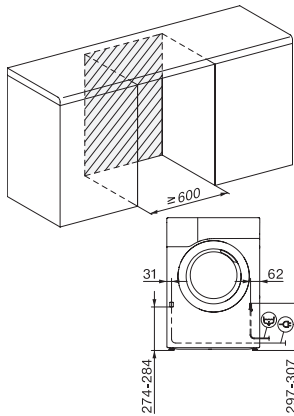
EAN: 4002516476245 / Material number: 11871820 / Old Material Number: 12EF7652GB

| | |
|---|---------|
| Cottons arrow | • |
| Minimum iron | • |
| Delicates | • |
| Shirts | • |
| Woollens handcare | • |
| Express | • |
| Proofing | • |
| Bed linen | • |
| Warm air/DryFresh | • |
| Drying extras | |
| Anti-crease | • |
| Buzzer | • |
| DryCare 40 | • |
| Quality | |
| Soft ribs | • |
| Safety | |
| PIN-Code | • |
| Empty out container indicator | • |
| Clean filter indication | • |
| Optical interface | • |
| Technical data | |
| Dimensions in mm (width) | 596 |
| Dimensions in mm (height) | 850 |
| Dimensions in mm (depth) | 636 |
| Appliance depth in mm with opened door | 1054 |
| Weight in kg | 56 |
| Total rated load in kW | 1,10 |
| Voltage in V | 220-240 |
| Fuse rating in A | 13 |
| Frequency in Hz | 50 |
| Length of supply lead in m | 2,0 |
| Hermetically sealed | • |
| Type of coolant | R290 |
| Refrigerant quantity in kg | 0,14 |
| Refrigerant global warming potential in CO ₂ e | 3 |
| Appliance global warming potential in CO ₂ e | 0,42 |
| Replacing lamps | Service |
| Accessories included | |
| Fragrance flacon | • |
| Voucher for a second fragrance flacon | • |

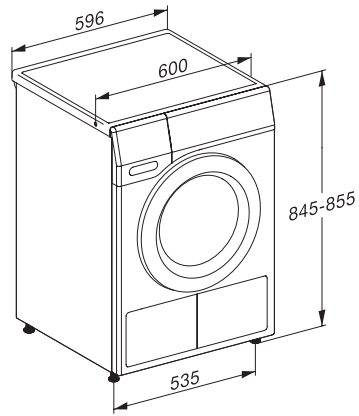
TEF765WP EcoSpeed&8kg

T1 heat-pump dryer:

with A+++ and DryCare 40 for efficient yet gentle drying.



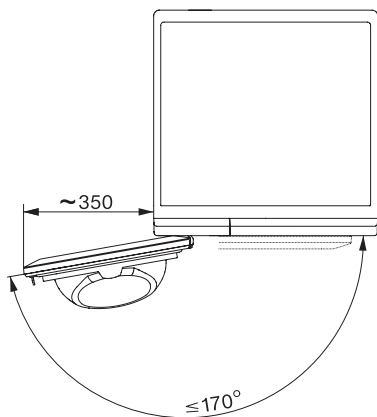
T1 installation drawing, slanted facia or straight facia, measures in mm



T1 drawing, slanted facia or straight facia, measures in mm



T1 drawing, slanted facia or straight facia, with porthole, measures in mm



T1 drawing, slanted facia or straight facia, measures in mm