

TEA225WP Active

T1 heat-pump dryer:

with A++ and outstanding Miele quality at an attractive entry-level price.



- Savings for the life of your tumble dryer – EcoDry technology
- Fragrant laundry just the way you like it – FragranceDos
- Precision drying of all fabrics – PerfectDry
- Perfect protection for rooms and furniture – best condensation effect
- Easy operation via sensor controls – EasyControl

EAN: 4002516488002 / Material number: 11871730 / Old Material Number: 12EA2252GB

| Construction type | |
|---|--------------------|
| Suitable for stacking | • |
| Side-by-side | • |
| Slot-in | • |
| Can be built-under | • |
| Door hinge | left |
| Model | |
| Product brand | T1 Chrome Edition |
| Heat pump dryer | • |
| Design | |
| Appliance colour | Lotus white |
| Control panel colour | Lotus white |
| Door design | White |
| Rotary selector colour | Lotus White |
| Control panel version | Straight |
| Control type | Rotary control |
| Display | EasyControl yellow |
| Drying results | |
| PerfectDry precision drying | • |
| FragranceDos fragrance system | • |
| Intelligent drum reversal | • |
| Gentle laundry care | |
| Honeycomb drum | • |
| Load in kg | 7,0 |
| User convenience | |
| Delay start up to 24 hours | • |
| Time left display | • |
| Programme sequence indicator | No |
| Drum lighting | LED |
| Condensate container | • |
| Integrated condensed water drainage | • |
| AddLoad | • |
| Efficiency and sustainability | |
| Energy efficiency class (A+++ – D) | A++ |
| Annual energy consumption in kWh | 208 |
| Duration in minutes in the standard programme | 155 |
| Noise in the Cottons programme with full load in db(A) re 1 pW | 66 |
| Condensation efficiency class | A |
| Energy consumption in kWh in the Cottons Normal dry standard programme with a full load | 1,70 |
| EcoDry technology | • |
| Maintenance-free heat exchanger | • |
| Drying programmes | |
| Cottons (coloureds) | • |
| Minimum iron | • |
| Delicates | • |
| Shirts | • |
| Woollens handcare | • |
| Express | • |

TEA225WP Active

T1 heat-pump dryer:

with A++ and outstanding Miele quality at an attractive entry-level price.



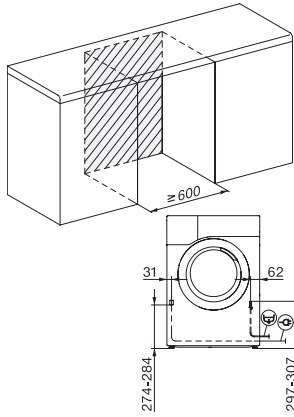
EAN: 4002516488002 / Material number: 11871730 / Old Material Number: 12EA2252GB

| | |
|---|---------|
| Denim | • |
| Proofing | • |
| Pre-Ironing | • |
| Bed linen | • |
| Warm air/DryFresh | • |
| Drying extras | |
| Anti-crease | • |
| Gentle tumble | • |
| Quality | |
| Soft ribs | • |
| Safety | |
| PIN-Code | • |
| Empty out container indicator | • |
| Clean filter indication | • |
| Optical interface | • |
| Technical data | |
| Dimensions in mm (width) | 596 |
| Dimensions in mm (height) | 850 |
| Dimensions in mm (depth) | 640 |
| Appliance depth in mm with opened door | 1054 |
| Weight in kg | 56 |
| Total rated load in kW | 1,10 |
| Voltage in V | 220-240 |
| Fuse rating in A | 13 |
| Frequency in Hz | 50 |
| Length of supply lead in m | 2,0 |
| Hermetically sealed | • |
| Type of coolant | R290 |
| Refrigerant quantity in kg | 0,11 |
| Refrigerant global warming potential in CO ₂ e | 3 |
| Appliance global warming potential in CO ₂ e | 0,33 |
| Replacing lamps | Service |
| Accessories included | |
| Fragrance flacon | • |
| Voucher for a second fragrance flacon | • |

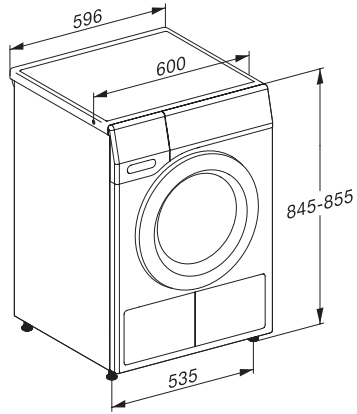
TEA225WP Active

T1 heat-pump dryer:

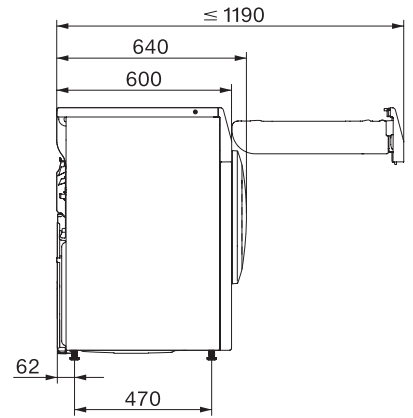
with A++ and outstanding Miele quality at an attractive entry-level price.



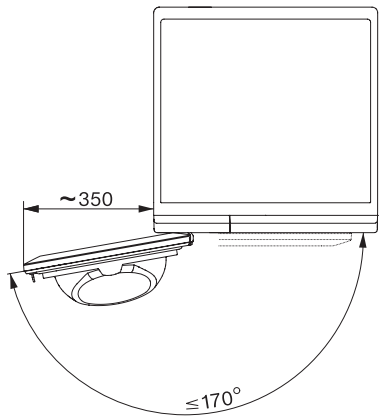
T1 installation drawing, slanted facia or straight facia, measures in mm



T1 drawing, slanted facia or straight facia, measures in mm



T1 drawing, slanted facia or straight facia, without porthole, measures in mm



T1 drawing, slanted facia or straight facia, measures in mm