

G 7975 SCVi XXL AutoDos K20

Fully integrated dishwashers

– the Miele all-rounder for handleless kitchen designs.



- Automatic dispensing – AutoDos with integrated PowerDisk
- Innovative design and maximum convenience – 3D MultiFlex Tray
- Communication with the machine could not be easier – Miele@home
- Automatic door opening after two knocks – Knock2open
- Quick swipe operation – M Touch display

EAN: 4002516464204 / Material number: 11870320 / Old Material Number: 21797562GB

Model	
Fully integrated dishwasher	•
60 cm dishwasher	•
XXL dishwasher	•
Design	
Control panel colour	CleanSteel/Obsidian black
Control panel version	Fully integrated fascia
Control type	Touch control
Display	M Touch Vi
Display colour	White
MultiLingua	•
Convenience	
Networking with Miele@home	•
Automatic dispensing with PowerDisk	•
Knock2open	•
Door closing aid	AutoClose
BrilliantLight	•
Time left display	•
Delay start up to 24 hours	•
In-operation indicator light	optical and acoustic
Add an item option	•
Display language selection	•
Efficiency and sustainability	
Energy efficiency class (A–G)	A
Water consumption in the Automatic programme in l from	6,0
Water consumption of the ECO programme in litres per programme cycle	8,4
Electricity consumption in the ECO programme in kWh	0,54
Energy consumption of the ECO programme in kWh after 100 programme cycles	54
Consumption value in kWh in the ECO programme with hot water connection	0,29
Duration of ECO programme in minutes	230
Noise emission class	B
Noise emissions in dB(A)	41
EcoFeedback	•
EcoPower Technology	•
Proven hygiene	•
Hot water connection	•
Half load	•
Quality of results	
Fresh water dishwasher	•
SensorDry	•
Recirculation Turbothermic drying	•
Active condensation drying	•
BrilliantGlassCare	•
Wash programmes	
QuickPowerWash	•
ECO	•
Automatic	•
Intensive 75 °C	•

G 7975 SCVi XXL AutoDos K20

Fully integrated dishwashers

– the Miele all-rounder for handleless kitchen designs.



EAN: 4002516464204 / Material number: 11870320 / Old Material Number: 21797562GB

PowerWash	•
Gentle	•
Hygiene	•
SolarSave	•
ExtraQuiet 39 dB(A)	•
Pasta/Paella	•
Tall items 65°C	•
Glasses warm	•
Appliance care	•
Dishwashing options	
AutoDos	•
IntenseZone	•
Express	•
Extra Clean	•
Extra dry	•
Basket design	
Cutlery loading	3D MultiFlex tray
FlexCare glass holder	4
FlexCare cup rack	1
Basket design	ExtraComfort
Number of place settings	14
Safety	
Waterproof system	•
Filter indicator light	•
Technical data	
Niche width minimal in mm	600
Niche width max in mm	600
Niche height minimal in mm	845
Niche height maximal in mm	910
Niche depth in mm	550
Appliance width in mm	598
Appliance height in mm	845
Appliance depth in mm	550
Depth with door open in cm	120,5
Net weight in kg	49,0
Total rated load in kW	2,00
Voltage in V	230
Fuse rating in A	10
Number of phases	1
Electrical frequency standard	50
Length of water inlet hose in cm	1,50
Length of water drain hose in cm	1,50
Length of supply lead in m	1,80
Min. front panel weight in kg	4,0
Max. front panel weight in kg	12,0
Replacing lamps	Service

G 7975 SCVi XXL AutoDos K20

Fully integrated dishwashers

– the Miele all-rounder for handleless kitchen designs.



EAN: 4002516464204 / Material number: 11870320 / Old Material Number: 21797562GB

Available display languages

Available display languages via MultiLingua

bahasa malaysia, dansk, deutsch, english (AU), english (GB), english (US), español, français (FR), hrvatski, italiano, magyar, nederlands, norsk, polski, portuguese, русский, română, slovenčina, slovenščina, srpski, suomi, svenska, türkçe, українська, čeština, ελληνικά, , , ,

Accessories included

1 x PowerDisk

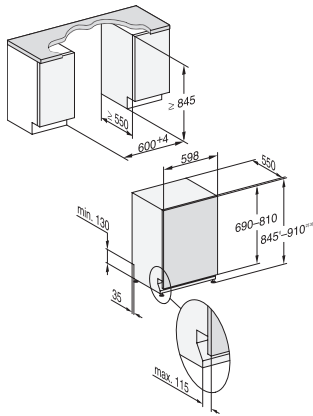
Voucher for 6 x PowerDisk

-
-

G 7975 SCVi XXL AutoDos K20

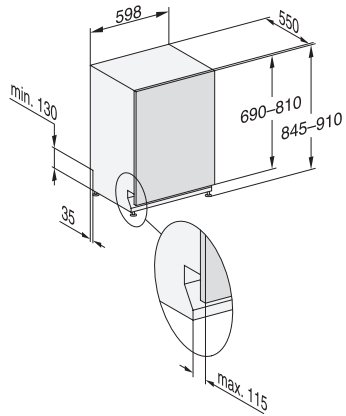
Fully integrated dishwashers

– the Miele all-rounder for handleless kitchen designs.



G7000, fully integrated dishwasher, XXL, 60cm (installation drawing)

- 1) Plinth height 35-155 mm, 2) Plinth height 100-220 mm,
- 3) Appliance height max. 970 mm with plinth height conversion kit (Mat.-Nr. 6.394.761),



G7000, fully integrated dishwasher, XXL, 60cm (installation drawing)