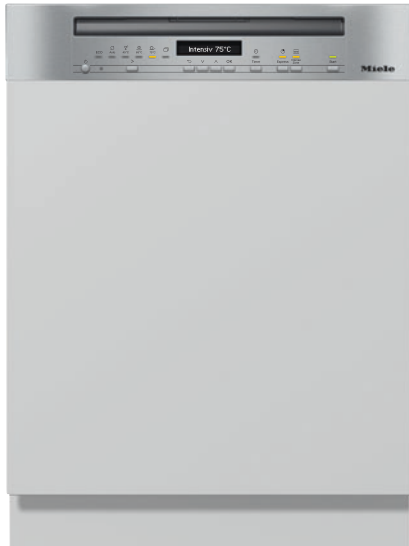


G 7200 SCi  
Semi-integrated dishwasher  
with 3D MultiFlex tray for maximum convenience.

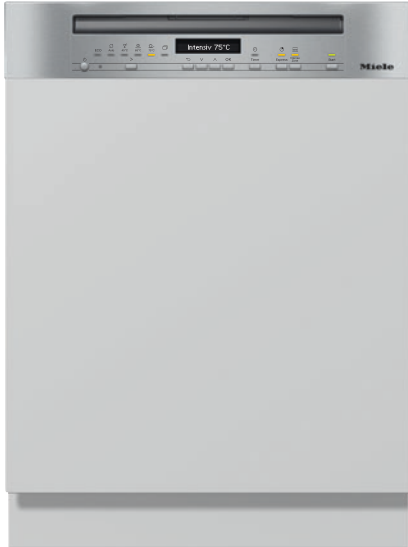


- Perfect results in less than one hour – QuickPowerWash
- Everything completely dry – AutoOpen drying
- Fresh water dishwashers – from 6.0 l in the Automatic programme
- Very easy door opening and closing – ComfortClose
- Versatile and secure – ComfortPlus basket design

EAN: 4002516464068 / Material number: 11869910 / Old Material Number: 21720057GB

<b>Model</b>	
Semi-integrated dishwasher	•
60 cm dishwasher	•
<b>Design</b>	
Control panel colour	Stainless steel/CleanSteel
Control panel version	Straight fascia
Control type	Programme selector button
Display	1-line text display
Display colour	White
Multilingua	•
<b>Convenience</b>	
Door closing aid	ComfortClose
Time left display	•
Delay start up to 24 hours	•
In-operation indicator light	Display
Display language selection	•
<b>Efficiency and sustainability</b>	
Energy efficiency class (A–G)	A
Water consumption in the Automatic programme in l from	6,0
Water consumption of the ECO programme in litres per programme cycle	8,4
Electricity consumption in the ECO programme in kWh	0,54
Energy consumption of the ECO programme in kWh after 100 programme cycles	54
Consumption value in kWh in the ECO programme with hot water connection	0,29
Duration of ECO programme in minutes	230
Noise emission class	B
Noise emissions in dB(A)	43
EcoFeedback	•
EcoPower Technology	•
Proven hygiene	•
Hot water connection	•
Half load	•
<b>Quality of results</b>	
Fresh water dishwasher	•
SensorDry	•
Recirculation Turbothermic drying	•
Active condensation drying	•
BrilliantGlassCare	•
<b>Wash programmes</b>	
QuickPowerWash	•
ECO	•
Automatic	•
Intensive 75 °C	•
PowerWash	•
Gentle	•
ExtraQuiet 40 dB(A)	•
Appliance care	•
<b>Dishwashing options</b>	
IntenseZone	•

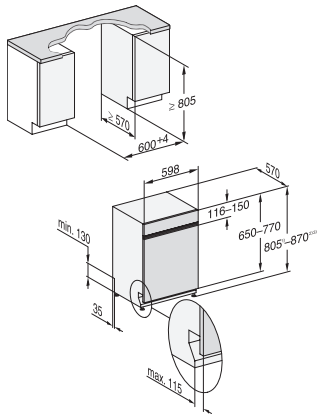
G 7200 SCi  
Semi-integrated dishwasher  
with 3D MultiFlex tray for maximum convenience.



EAN: 4002516464068 / Material number: 11869910 / Old Material Number: 21720057GB

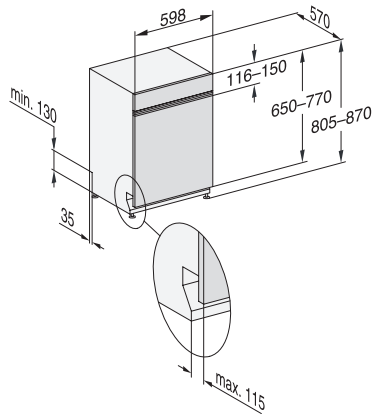
Express	•
Extra Clean	•
Extra dry	•
<b>Basket design</b>	
Cutlery loading	3D MultiFlex tray
FlexCare cup rack	1
Basket design	ComfortPlus
Number of place settings	14
<b>Safety</b>	
Waterproof system	•
Filter indicator light	•
Safety lock	•
<b>Technical data</b>	
Niche width minimal in mm	600
Niche width max in mm	600
Niche height minimal in mm	805
Niche height maximal in mm	870
Niche depth in mm	570
Appliance width in mm	598
Appliance height in mm	805
Appliance depth in mm	570
Depth with door open in cm	116,5
Net weight in kg	48,2
Total rated load in kW	2,00
Voltage in V	230
Fuse rating in A	10
Number of phases	1
Electrical frequency standard	50
Length of water inlet hose in cm	1,50
Length of water drain hose in cm	1,50
Length of supply lead in m	1,80
Min. front panel weight in kg	3,0
Max. front panel weight in kg	10,0
[can be retrofitted by Service to min.]	8,0
[can be retrofitted by Service to max.]	18,0
<b>Available display languages</b>	
Available display languages via MultiLingua	bahasa malaysia, deutsch, english (AU), english (GB),
<b>Accessories included</b>	
1 x UltraTabs box (20 tabs)	•
Voucher for 1 x box of UltraTabs (20 tabs) or 9 boxes at a reduced price	•

G 7200 SCi  
Semi-integrated dishwasher  
with 3D MultiFlex tray for maximum convenience.



G7000, integrated dishwasher, 60cm (installation drawing)

1) Plinth height 35-155 mm, 2) Plinth height 100-220 mm,  
3) Appliance height max. 930 mm with plinth height  
conversion kit (Mat.-Nr. 6.394.761)



G7000, integrated dishwasher, 60cm (installation drawing)