

G 5050 C SCVi Active

Fully integrated dishwashers

in tried-and-tested Miele quality at an affordable entry-level price.



- Perfect results in less than one hour – QuickPowerWash
- Save up to 50 % electricity with the Miele hot water connection
- Flexible basket design perfect for everyday use – Comfort C baskets
- Very easy door opening and closing – ComfortClose
- More flexibility and space for your crockery – height-adjustable upper basket

EAN: 4002516395058 / Material number: 11690720 /
Old Material Number: 21505062SG

Model	
Fully integrated dishwasher	•
60 cm dishwasher	•
Design	
Control panel colour	Stainless Steel.
Control panel version	Fully integrated fascia
Control type	Programme selector button
Display	3-digit 7-segment display
Display colour	Yellow
Convenience	
Door closing aid	AutoClose
Operating noise dB(A) re 1 pW	45
Time left display	•
Delay start up to 24 hours	•
In-operation indicator light	acoustic
Efficiency and sustainability	
Drying class	A
Water consumption in the ECO programme in l	8,9
Annual water consumption in the ECO programme in l	2492
Annual energy consumption in ECO programme in kWh	246
EcoPower Technology	•
Proven hygiene	•
Hot water connection	•
Half load	•
Quality of results	
Fresh water dishwasher	•
Wash programmes	
QuickPowerWash	•
ECO	•
Automatic	•
Intensive 75 °C	•
Gentle	•
Dishwashing options	
Express	•
Extra Clean	•
Extra dry	•
Basket design	
FlexCare cup rack	1
Basket design	Comfort C
Safety	
Waterproof system	•
Technical data	
Niche width minimal in mm	600
Niche width max in mm	600
Niche height minimal in mm	805
Niche height maximal in mm	870
Niche depth in mm	550
Appliance width in mm	598

G 5050 C SCVi Active

Fully integrated dishwashers

in tried-and-tested Miele quality at an affordable entry-level price.



EAN: 4002516395058 / Material number: 11690720 /
Old Material Number: 21505062SG

Appliance height in mm	805
Appliance depth in mm	550
Depth with door open in cm	116,5
Net weight in kg	44,0
Total rated load in kW	2,00
Voltage in V	230
Fuse rating in A	10
Number of phases	1
Electrical frequency standard	50
Length of water inlet hose in cm	1,50
Length of water drain hose in cm	1,50
Length of supply lead in m	1,80
Min. front panel weight in kg	4,0
Max. front panel weight in kg	11,0
[can be retrofitted by Service to min.]	8,0
[can be retrofitted by Service to max.]	16,0

Accessories included

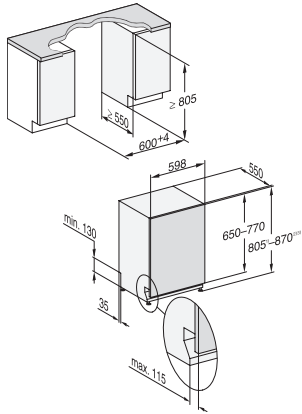
Voucher for 1 x box of UltraTabs (20 tabs) or 3 boxes (60 tabs in each) at a reduced price

•

G 5050 C SCVi Active

Fully integrated dishwashers

in tried-and-tested Miele quality at an affordable entry-level price.



G7000, fully integrated dishwasher, 60cm (installation drawing)

1) Plinth height 35-155 mm, 2) Plinth height 100-220 mm, 3) Appliance height max. 930 mm with plinth height conversion kit (Mat.-Nr. 6.394.761),