

WTD160 WCS 8/5 kg

WT1 washer-dryer:

with PerfectCare technology for gentle and efficient laundry care.



- 8 kg wash load and 5 kg drying load – perfect for daily laundry
- Highly precise drying results thanks to PerfectDry
- Our honeycomb drum ensures that laundry stays in perfect condition
- Economical, powerful and no wear and tear – the ProfiEco Motor

EAN: 4002516389699 / Material number: 11607390 / Old Material Number: 11TD1601AE

<b>Construction type</b>	
Suitable for stacking	•
Side-by-side	•
Slot-in	•
Can be built-under	•
Door hinge	right
<b>Model</b>	
Front-loader	•
<b>Washing machine with TD fct.</b>	
Continuous washing and drying cycle	•
Electronic residual moisture sensing	•
Condenser dryers with water cooling	•
Thermospin	•
<b>Spinning</b>	
Max. spin speed	1500
Rinse hold	•
Without spin function	•
<b>Design</b>	
Appliance colour	Lotus white
Control panel colour	Lotus white
Door design	Graphite grey PearlFinish
Rotary selector colour	Lotus White
Control panel version	Straight
Control type	Rotary control
Display	DirectSensor white, 7 segment
<b>Gentle laundry care</b>	
Honeycomb drum	•
Load in kg for washing	8,0
Load in kg when drying	5,0
PerfectCare technology	•
<b>User convenience</b>	
Networking with Miele@home	•
Delay start up to 24 hours	•
Time left display	•
Programme sequence indicator	No
Automatic rinse out fluff	•
AutoClean detergent drawer	•
AddLoad	•
<b>Efficiency and sustainability</b>	
Low temperature wash "Cold" and "20 °C"	•
Automatic load control	•
Flow meter	•
Foam sensing	•
ProfiEco motor	•
<b>Wash programmes</b>	
Cottons (coloureds)	•
Minimum iron	•
Shirts	•
Woolens (hand-washable)	•

WTD160 WCS 8/5 kg

WT1 washer-dryer:

with PerfectCare technology for gentle and efficient laundry care.



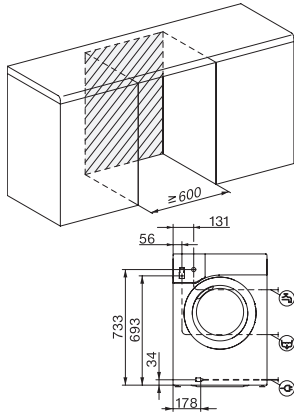
EAN: 4002516389699 / Material number: 11607390 / Old Material Number: 11TD1601AE

Express	•
Dark garments / Denim	•
Cottons arrow	•
ECO 40-60	•
<b>Drying programmes</b>	
Cottons (coloureds)	•
Cottons arrow	•
Minimum iron	•
Delicates	•
Shirts	•
Woollens	•
Express	•
Dark garments / Denim	•
Warm air	•
<b>Drying extras</b>	
Anti-crease	•
Low temperature	•
<b>Washing extras</b>	
Short	•
<b>Quality</b>	
Counterweights made of cast iron	•
<b>Safety</b>	
Water protection system	Watercontrol-System
Safety lock	•
PIN-Code	•
<b>Technical data</b>	
Dimensions in mm (width)	596
Dimensions in mm (height)	850
Dimensions in mm (depth)	637
Appliance depth in mm with opened door	1055
Weight in kg	94
Total rated load in kW	2,10-2,40
Voltage in V	220-240
Fuse rating in A	13
Frequency in Hz	50
Length of supply lead in m	2

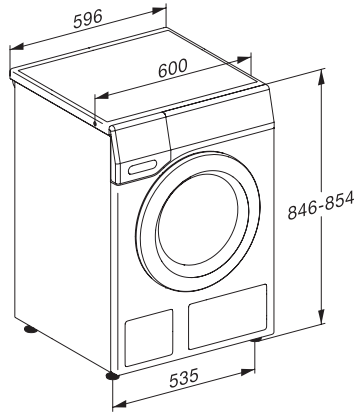
WTD160 WCS 8/5 kg

WT1 washer-dryer:

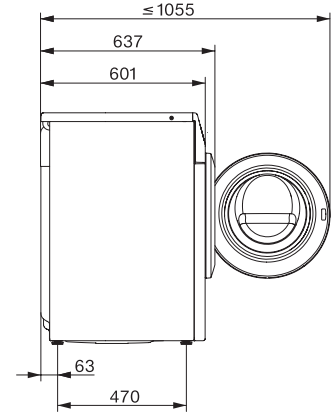
with PerfectCare technology for gentle and efficient laundry care.



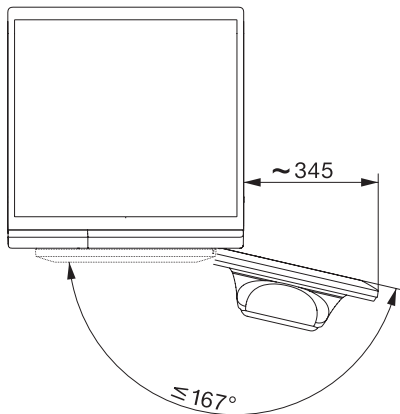
WT1 8/5 kg, installation drawing, slanted facia or straight facia, measures in mm



WT1 8/5 kg, drawing, slanted facia or straight facia, measures in mm



WT1 8/5 kg, drawing, slanted facia or straight facia, measures in mm



WT1 8/5 kg, drawing, slanted facia or straight facia, measures in mm