

## KM 7699 FR

Induction hob with onset controls  
with TempControl for perfect frying results



- Intuitive quick selection via number sequences – Smart Select
- 5 cooking zones incl. 1 PowerFlex area and 1 TempControl zone
- A width of 942 mm with stainless steel frame for surface installation
- Shortest heating-up times – TwinBooster
- Communication with the cooker hood – automatic Con@ctivity function

EAN: 4002516338796 / Material number: 11515550 / Old Material Number: 26769900GB

<b>Heating type</b>	
Heating type	Induction
<b>Construction type</b>	
Independent of cooker	•
<b>Design</b>	
Elegant glass ceramic surface	•
Ceramic surface colour	Black
Stainless steel frame	•
Surface-mounted installation	•
<b>Cooking zone details</b>	
Number of cooking zones	5
Number of cooking areas	1
Maximum number of pans	5
<b>PowerFlex cooking zones</b>	
No.	2
Type	PowerFlex cooking zone
Diameter in mm	Ø 150 – 230
Rating in W	2100
Booster in W	3000
TwinBooster in W	3650
<b>1st cooking zone/cooking area</b>	
Position	front left
Type	Dual-circuit ring
Size in mm	Ø 100-160
Max. Booster power rating in W	1700
Max. rating in W	1400
Max. TwinBooster power rating in W	2200
<b>2nd cooking zone/cooking area</b>	
Position	rear left
Type	TempControl cooking zone
Size in mm	Ø 160-230
Max. Booster power rating in W	3000
Max. rating in W	2300
Max. TwinBooster power rating in W	3650
<b>3rd cooking zone/cooking area</b>	
Position	rear centre
Type	Dual-circuit ring
Size in mm	Ø 180-280
Max. Booster power rating in W	3000
Max. rating in W	2600
Max. TwinBooster power rating in W	3650
<b>4th cooking zone/cooking area</b>	
Position	right
Type	PowerFlex bridge
Size in mm	230x390
Max. Booster power rating in W	4800
Max. rating in W	3400
Max. TwinBooster power rating in W	7300
<b>User convenience</b>	
Miele@home	•

KM 7699 FR

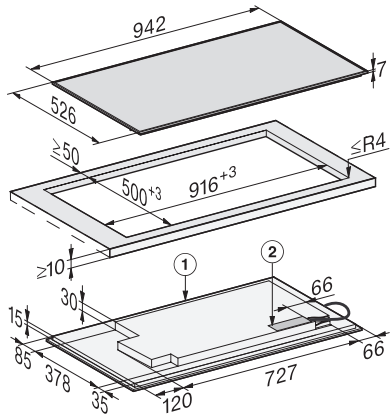
Induction hob with onset controls  
with TempControl for perfect frying results



EAN: 4002516338796 / Material number: 11515550 / Old Material Number: 26769900GB

Operation via sensor controls	Smart Select
Automatic function Con@ctivity 3.0	•
Pan and pan size recognition	•
Display colour	Yellow
Auto heat-up	•
Permanent pan recognition	•
Keeping warm	•
Stop & Go function	•
Recall function	•
TempControl	•
Safety switch-off	•
Keeping warm plus	•
Individual setting options (e.g. buzzers)	•
Wipe protection	•
Minute minder	•
<b>Efficiency and sustainability</b>	
Power rating in off mode in W	0,5
Power rating in standby mode in W	1,0
Power rating in networked standby in W	2,0
Time until automatic switch to off mode in min	20
Time until automatic switch to standby in min	20
Time until automatic switch to networked standby in min	20
<b>Cleaning and care</b>	
Easy to clean ceramic glass	•
<b>Safety</b>	
Safety switch-off	•
Lock function	•
System lock	•
Integrated cooling fan	•
Overheating protection	•
Residual heat indicator	•
<b>Technical data</b>	
Dimensions in mm (width)	942
Dimensions in mm (height)	52
Dimensions in mm (depth)	526
Cutout dimensions in mm (width) with surface-mounted installation	916
Cutout dimensions in mm (depth) with surface-mounted installation	500
Casing height incl. connection box in mm	45
Weight in kg	16
Total rated load in kW	11,00
Length of supply lead in m	1,4
Voltage in V	230
Frequency in Hz	50-60
<b>Accessories included</b>	
Mains cable	Yes

KM 7699 FR  
Induction hob with onset controls  
with TempControl for perfect frying results



KM 7699 FR (installation drawing)

1) Front , 2) Mains connection box with mains connection cable, L = 1440 mm, are enclosed loosely