

WWG660 WCS TDos&9kg

W1 front-loader washing machine:

A | 9 kg | 1400 rpm | Automatic dispensing | Pre-ironing | Miele@home



- Tested for 20 years of perfect laundry care
- Save energy in the best energy efficiency class (A)
- Precise and automatic detergent dispensing with TwinDos®
- The Pre-ironing extra reduces creasing and saves up to 50 % time and effort
- Complete app control of your washing machine with Miele@home*

* Additional digital offer from Miele & Cie. KG. All smart applications are made possible with the Miele@home system. The range of functions can vary depending on the model and the country.

EAN: 4002516303039 / Material number: 11458470 / Old Material Number: 11WG6601AE

Construction type	
Suitable for stacking	•
Side-by-side	•
Slot-in	•
Door hinge	right
Model	
Product brand	W1 White Edition
Front-loader	•
Spinning	
Max. spin speed	1400
Rinse hold	•
Without spin function	•
Design	
Appliance colour	Lotus white
Control panel colour	Lotus white
Door design	Obsidian black with chrome ring
Rotary selector colour	Lotus White / Chrome ring
Control panel version	5° inclined
Control type	Rotary control
Display	ComfortSensor white, 1 line
Cleaning performance	
TwinDos automatic detergent dispensing	•
CapDosing portioned dispensing	•
Gentle laundry care	
Honeycomb drum	•
Load in kg	9,0
User convenience	
Networking with Miele@home	•
Delay start up to 24 hours	•
Time left display	•
Programme sequence indicator	•
MultiLingua	•
AutoClean detergent drawer	•
AddLoad	•
Efficiency and sustainability	
Low temperature wash "Cold" and "20 °C"	•
Automatic load control	•
Flow meter	•
Foam sensing	•
ProfiEco motor	•
Wash programmes	
Automatic plus	•
Cottons (coloureds)	•
Minimum iron	•
Delicates	•
Shirts	•
Silk (hand-washable)	•
Woolens (hand-washable)	•
Express 20	•

WWG660 WCS TDos&9kg

W1 front-loader washing machine:

A | 9 kg | 1400 rpm | Automatic dispensing | Pre-ironing | Miele@home



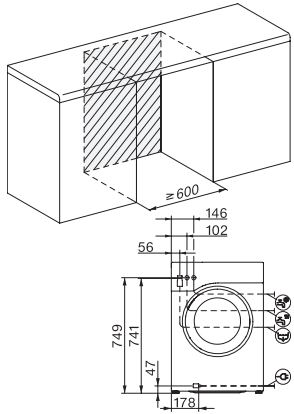
EAN: 4002516303039 / Material number: 11458470 / Old Material Number: 11WG6601AE

Dark garments / Denim	•
Outerwear	•
Proofing	•
Sportswear	•
Clean machine	•
Cottons arrow	•
Separate rinse/Starch	•
Drain / Spin	•
ECO 40-60	•
Washing extras	
Short	•
Soak	•
Pre-wash	•
Water plus	•
Additional rinse cycle	•
Extra quiet	•
Pre-ironing with steam	•
Buzzer	•
AllergoWash	•
Quality	
Counterweights made of cast iron	•
Safety	
Water protection system	Watercontrol-System
Safety lock	•
PIN-Code	•
Optical interface	•
Technical data	
Dimensions in mm (width)	596
Dimensions in mm (height)	850
Dimensions in mm (depth)	643
Appliance depth in mm with opened door	1077
Weight in kg	94
Total rated load in kW	2,10-2,40
Voltage in V	220-240
Fuse rating in A	13
Frequency in Hz	50
Length of supply lead in m	2
Accessories included	
3 Caps	•
UltraPhase 1 + 2	•
Voucher for 5 Miele UltraPhase cartridges	•
Available display languages	
Available display languages via MultiLingua	bahasa malaysia, deutsch, english (AU), english (GB), español, português, , , , ,

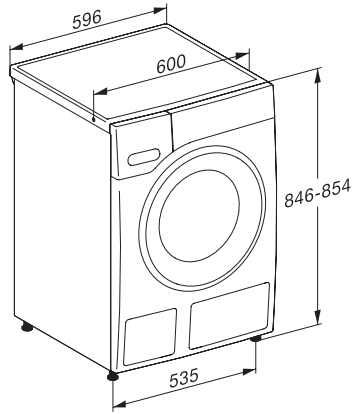
WWG660 WCS TDos&9kg

W1 front-loader washing machine:

A | 9 kg | 1400 rpm | Automatic dispensing | Pre-ironing | Miele@home



W1 drawing, facia 5 degree, measures in mm



W1 drawing, facia 5 degree, measures in mm



W1 drawing, facia 5 degree, measures in mm



W1 drawing, facia 5 degree, measures in mm