

WWD120 WCS 8kg

W1 front-loader washing machine

with 1–8 kg honeycomb drum and Pre-ironing for beautifully maintained laundry.



- Our honeycomb drum ensures that laundry stays in perfect condition
- The Pre-ironing extra reduces creasing and saves up to 50 % time and effort#
- Exclusive CapDosing range for different textiles and stains
- Easy fingertip operation – DirectSensor
- Economical, powerful and no wear and tear – the ProfiEco Motor

EAN: 4002516302940 / Material number: 11458460 / Old Material Number: 11WD1201AE

<b>Construction type</b>	
Suitable for stacking	•
Side-by-side	•
Slot-in	•
Door hinge	right
<b>Model</b>	
Product brand	W1 White Edition
Front-loader	•
<b>Spinning</b>	
Max. spin speed	1400
Rinse hold	•
Without spin function	•
<b>Design</b>	
Appliance colour	Lotus white
Control panel colour	Lotus white
Door design	Obsidian black with white ring
Rotary selector colour	Lotus White
Control panel version	5° inclined
Control type	Rotary control
Display	DirectSensor yellow, 7 segment
<b>Cleaning performance</b>	
CapDosing portioned dispensing	•
<b>Gentle laundry care</b>	
Honeycomb drum	•
Load in kg	8,0
<b>User convenience</b>	
Delay start up to 24 hours	•
Time left display	•
AutoClean detergent drawer	•
AddLoad	•
<b>Efficiency and sustainability</b>	
Low temperature wash "Cold" and "20 °C"	•
Automatic load control	•
Foam sensing	•
ProfiEco motor	•
<b>Wash programmes</b>	
Cottons (coloureds)	•
Minimum iron	•
Delicates	•
Shirts	•
Woollens (hand-washable)	•
Express 20	•
Dark garments / Denim	•
Proofing	•
Cottons arrow	•
Separate rinse/Starch	•
Drain / Spin	•
ECO 40-60	•

WWD120 WCS 8kg

W1 front-loader washing machine

with 1–8 kg honeycomb drum and Pre-ironing for beautifully maintained laundry.



EAN: 4002516302940 / Material number: 11458460 / Old Material Number: 11WD1201AE

Washing extras	
Short	•
Pre-wash	•
Water plus	•
Additional rinse cycle	•
Pre-ironing with steam	•
Buzzer	•
Quality	
Counterweights made of cast iron	•
Safety	
Water protection system	Watercontrol-System
Safety lock	•
PIN-Code	•
Optical interface	•
Technical data	
Dimensions in mm (width)	596
Dimensions in mm (height)	850
Dimensions in mm (depth)	643
Appliance depth in mm with opened door	1077
Weight in kg	85
Total rated load in kW	2,10-2,40
Voltage in V	220-240
Fuse rating in A	13
Frequency in Hz	50
Length of supply lead in m	2

WWD120 WCS 8kg

W1 front-loader washing machine

with 1–8 kg honeycomb drum and Pre-ironing for beautifully maintained laundry.



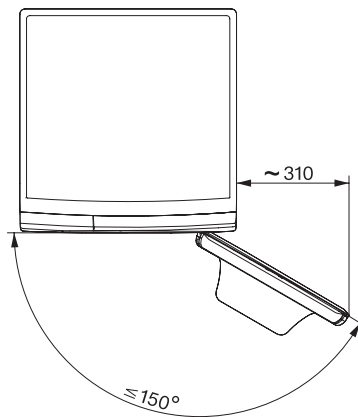
W1 drawing, facia 5 degree, measures in mm



W1 drawing, facia 5 degree, measures in mm



W1 drawing, facia 5 degree, measures in mm



W1 drawing, facia 5 degree, measures in mm