

F 2671 Vi MasterCool freezer

For high-end design and technology on a large scale.



- Push2open for convenient door-opening assistance
- Light floods the interior thanks to LED elements – BrilliantLight
- Ice and cooled water dispensers for maximum convenience
- Communication with appliances couldn't be easier – WiFiConn@ct
- Convenient control thanks to colour touch display MasterSensor

EAN: 4002516295549 / Material number: 11452990 /
Old Material Number: 37267101GB

Appliance category	
Freezer	•
Construction type	
Built-in appliance	•
Integrated appliance	•
Door hinge	Left
Side-by-side enabled	•
Design	
Lighting	BrilliantLight
User convenience	
Networking with Miele@home	•
NoFrost	•
SoftClose	•
Ice/Water dispenser	•
Push2open	•
FullAccess	•
EasyClean	•
MaxLoad hinge	•
Control system	
Operating concept	MasterSensor
Independent temperature regulation of fridge and freezer zones	No
SuperFreeze	•
No. of temperature zones	1
Sabbath mode	•
Eco mode	•
Fridge/Fridge section	
Door baskets – small	1
Door baskets – large	3
Freezer/Freezer section	
No. of shelves/surfaces	2
Number of freezer baskets	2
Safety	
Lock function	•
Acoustic door alarm	•
Acoustic temperature alarm	•
Optical door alarm	•
Optical temperature alarm	•
Technical data	
Niche width in mm min.	610
Niche width in mm max.	610
Niche height in mm min.	2134
Niche height in mm max.	2134
Niche depth in mm	629
Appliance width in mm	603
Appliance height in mm	2127
Appliance depth in mm	610
Weight in kg	147,8

F 2671 Vi MasterCool freezer

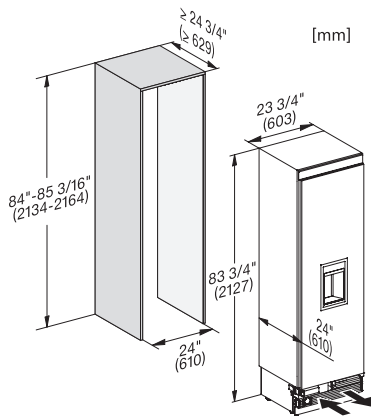
For high-end design and technology on a large scale.



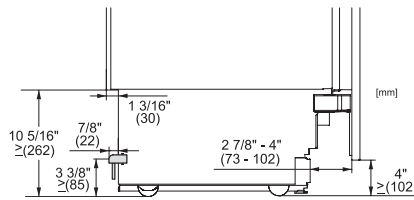
EAN: 4002516295549 / Material number: 11452990 /
Old Material Number: 37267101GB

Max. door front weight – refrigerator, in kg	70
Climate class	SN-T
Storage time in case of fault in h	10
Current consumption (mA)	3000
Voltage in V	220-240
Fuse rating in A	13
Number of phases	1
Frequency in Hz	50-60
Length of supply lead in m	3,0
Replacing lamps	Service

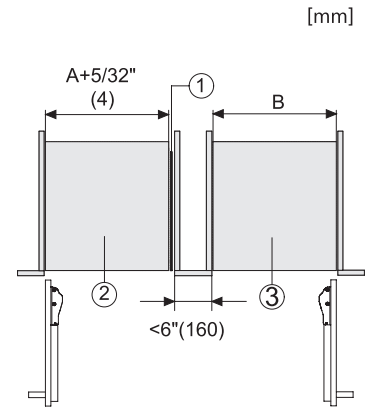
F 2671 Vi
MasterCool freezer
For high-end design and technology on a large scale.



F2672Vi, F2662Vi, F2671Vi, F2661Vi, installation, MasterCool (installation drawings)

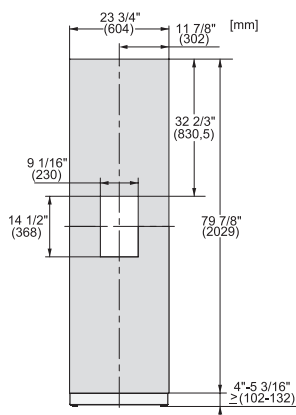


Sideview, MasterCool, Sketch

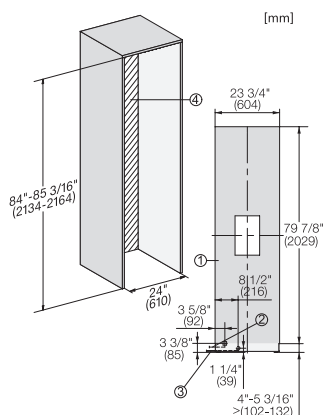


Side-by-Side, MasterCool, footnote, installation drawings

1. KSK 2001/2002, 2. Device A, 3. Device B, A = niche device A, B = niche device B

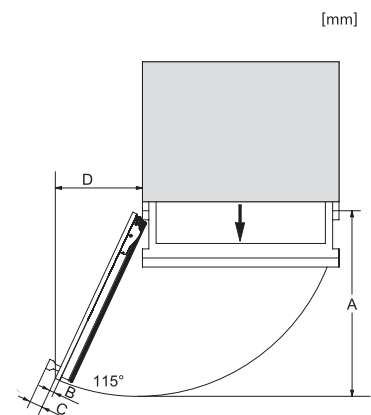


KFP2445ed/cs, KFP2444ed/cs, Front panel, Front dimensions, MasterCool, installation drawings



F2672Vi, F2672SF, F2662Vi, F2671Vi, F2671SF, F2661Vi, MasterCool, installation, installation drawings

1. View from the front, 2. Mains Connection cable, L = 3000 mm (118 inch), 3. Water inlet position, L = 2000mm (not for KON USA), 4. No water/ELT connections permitted in this area



Opening angle 90°/115°, right side stop, MasterCool (Sketch) with footnote

A) Appliance door , F 2411 Vi: 525 mm (20 2/3 inch), F 2412 Vi, F 2412 SF, F 2413Vi, F 2472 Vi, F 2472 SF: 525 mm (20 2/3 inch), F 2671 Vi: 677 mm (26 2/3 inch), F 2672 Vi, F 2672 SF: 677 mm (26 2/3 inch), F 2812 SF, F 2812 Vi, F 2813 Vi: 829 mm (32 2/3 inch), F 2912 Vi, F 2912 SF: 982 mm (38 2/3 inch), B) Furniture front (max. 38 mm) (1 1/2 inch), C) Door handle, D) Distance from the door to the wall (without furniture front and door handle): F 2411 Vi: 237 mm (9 1/3 inch), F 2412 Vi, F 2412 SF, F 2472 Vi, F 2472 SF: 237 mm (9 1/3 inch), F 2672 Vi, F 2672 SF: 296 mm (11 2/3 inch), F 2811 Vi: 363 mm (14 1/3 inch), F 2812 SF, F 2812 Vi: 363 mm (14 1/3 inch), F 2912 Vi, F 2912 SF: 428 mm (16 7/8 inch), E) ONLY valid for SF versions: A + 25 mm (1 inch)