

## G 7100 C SCi

Built-under dishwashers

with 3D MultiFlex tray for maximum convenience.



- Perfect results in less than one hour – QuickPowerWash
- Completely dry – Miele AutoOpen drying
- Fresh water dishwashers – as little as ?? water consumed in Automatic programme
- Very easy door opening and closing – ComfortClose
- Convenient, great results, perfect for everyday use – ExtraComfort C baskets

EAN: 4002516282556 / Material number: 11433380 /

Old Material Number: 21710057SG

<b>Available display languages</b>	
Available display languages via MultiLingua	english
<b>Model</b>	
Semi-integrated dishwasher	•
60 cm dishwasher	•
<b>Design</b>	
Control panel colour	Stainless steel/CleanSteel
Control panel version	Straight fascia
Control type	Programme selector button
Display	1-line text display
Display colour	White
MultiLingua	•
<b>Convenience</b>	
Door closing aid	AutoClose
Operating noise dB(A) re 1 pW	44
Time left display	•
Delay start up to 24 hours	•
In-operation indicator light	Display
Display language selection	•
<b>Efficiency and sustainability</b>	
Drying class	A
Water consumption in the ECO programme in l	8,9
Annual water consumption in the ECO programme in l	2492
Annual energy consumption in ECO programme in kWh	192
Number of place settings	12
EcoFeedback	•
EcoPower Technology	•
Proven hygiene	•
Hot water connection	•
Half load	•
<b>Quality of results</b>	
Fresh water dishwasher	•
SensorDry	•
Active condensation drying	•
BrilliantGlassCare	•
<b>Wash programmes</b>	
QuickPowerWash	•
ECO	•
Automatic	•
PowerWash	•
Gentle	•
Hygiene	•
ExtraQuiet 40 dB(A)	•
Appliance care	•
<b>Dishwashing options</b>	
IntenseZone	•
Express	•
Extra Clean	•

## G 7100 C SCi

Built-under dishwashers

with 3D MultiFlex tray for maximum convenience.



EAN: 4002516282556 / Material number: 11433380 /

Old Material Number: 21710057SG

Extra dry

•

### Basket design

Cutlery loading 3D MultiFlex tray C

Chopstick holders

•

FlexCare glass holder

2

FlexCare cup rack

1

Basket design

ExtraComfort C

### Safety

Waterproof system

•

Filter indicator light

•

Safety lock

•

### Technical data

Niche width minimal in mm

600

Niche width max in mm

600

Niche height minimal in mm

805

Niche height maximal in mm

870

Niche depth in mm

570

Appliance width in mm

598

Appliance height in mm

805

Appliance depth in mm

570

Depth with door open in cm

116,5

Net weight in kg

48,2

Total rated load in kW

2,00

Voltage in V

230

Fuse rating in A

10

Number of phases

1

Electrical frequency standard

50

Length of water inlet hose in cm

1,50

Length of water drain hose in cm

1,50

Length of supply lead in m

1,80

Min. front panel weight in kg

3,0

Max. front panel weight in kg

10,0

[can be retrofitted by Service to min.]

8,0

[can be retrofitted by Service to max.]

18,0

### Accessories included

1 x UltraTabs box (20 tabs)

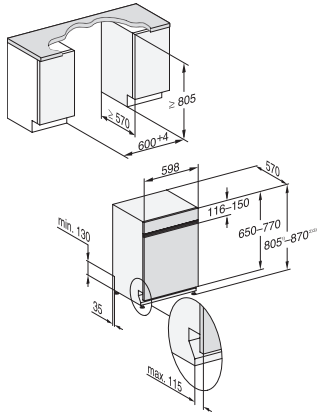
•

Voucher for 1 x box of UltraTabs (20 tabs) or 3 boxes (60 tabs in each) at a reduced price

•

## G 7100 C SCi

Built-under dishwashers  
with 3D MultiFlex tray for maximum convenience.



G7000, integrated dishwasher, 60cm (installation drawing)

1) Plinth height 35-155 mm, 2) Plinth height 100-220 mm, 3) Appliance height max. 930 mm with plinth height conversion kit (Mat.-Nr. 6.394.761)