

KMDA 7633 FL

Induction hob with integrated vapour extraction
with two PowerFlex cooking areas and centrally positioned vapour extraction



- Automatic fan power regulation – Con@ctivity
- Intuitive quick selection via number sequences – Smart Select
- Versatile and fast – 4 cooking zones incl. 2 PowerFlex areas
- Efficient filtration- 10-ply stainless-steel grease filter
- Energy-efficient and quiet – powerful ECO motor

EAN: 4002516237983 / Material number: 11345390 / Old Material Number: 26763371D

General information	
Model identifier	KMDA 7633 FL
Manufacturer material number	11345390
EAN number	4002516237983
Design	
Elegant glass ceramic surface	•
Frameless – surface-mounted	•
Ceramic surface colour	Black
Flush	•
Cooking zone details	
Number of cooking zones	4
Number of cooking areas	2
Maximum number of pans	4
PowerFlex cooking zones	
No.	4
Type	PowerFlex cooking zone
Size in mm	Ø 150 – 230
Max. rating in W	2100
Max. Booster power rating in W	3000
Max. TwinBooster power rating in W	3650
1st cooking zone/cooking area	
Position	Left
Type	PowerFlex bridge
Size in mm	230x390
Max. rating in W	3400
Max. Booster power rating in W	4800
Max. TwinBooster power rating in W	7300
2nd cooking zone/cooking area	
Position	right
Type	PowerFlex bridge
Size in mm	230x390
Max. rating in W	3400
Max. Booster power rating in W	4800
Max. TwinBooster power rating in W	7300
User convenience	
Networking with Miele@home	•
Con@ctivity	•
Digital power level display	•
Operation via sensor controls	SmartSelect
Display colour	Yellow
Permanent pan recognition	•
Run-on time 5/15 min.	•
Active charcoal filter saturation indicator	•
Stop & Go function	•
Wipe protection	•
Recall function	•
Grease filter saturation indicator	•
Minute minder	•

KMDA 7633 FL

Induction hob with integrated vapour extraction
with two PowerFlex cooking areas and centrally positioned vapour extraction



EAN: 4002516237983 / Material number: 11345390 / Old Material Number: 26763371D

Safety switch-off	•
Auto heat-up	•
Keeping warm	•
Individual setting options (e.g. buzzers)	•
Easy-to-clean canopy interior – CleanCover	•
Efficiency	
Energy efficiency class (A+++ – D)	A++
Power rating in off mode in W	0,5
Power rating in standby mode in W	1,0
Power rating in networked standby in W	2,0
ECO motor	•
Time until automatic switch to standby in min	20
Annual energy consumption in kWh/year	25,1
Time until automatic switch to networked standby in min	20
Time until automatic switch to off mode in min	20
Fluid dynamic efficiency class	A
Lighting efficiency class	NA
Grease filtering efficiency class	A
Cleaning and care	
Easy to clean ceramic glass	•
Filter system	
Number of dishwasher-safe stainless steel grease filters (10-ply)	1
Exhaust air	
Air throughput at min. level (m ³ /h) according to EN 61591	170
Air throughput at max. level (m ³ /h) according to EN 61591	490
Air throughput in Intensive level (m ³ /h) according to EN 61591	570
Sound power at min. level (dB(A) re 1 pW) according to EN 60704-3	45
Sound power at max. level (dB(A) re 1 pW) according to EN 60704-3	69
Sound power in Booster level (dB(A) re 1 pW) acc. to EN 60704-3	73
Sound pressure at min. level (dB(A) re 20 µPa) according to EN 60704-2-13	30,0
Sound pressure at max. level (dB(A) re 20 µPa) according to EN 60704-2-13	54,0
Noise pressure level in Intensive level (dB(A) re 20 µPa) according to EN 60704-2-13	59,0
Recirculation	
Air throughput in Booster level 1 (m ³ /h) according to EN 61591	510
Sound power in Booster level 1 (dB(A) re 1 pW) acc. to EN 60704-3	75,0
Sound pressure in Booster level 1 (dB(A) re 20 µPa) acc. to EN 60704-2-13	61,0
Safety	
Safety switch-off	•
Lock function	•
System lock	•

KMDA 7633 FL

Induction hob with integrated vapour extraction
with two PowerFlex cooking areas and centrally positioned vapour extraction

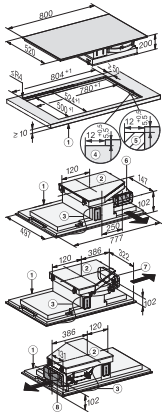


EAN: 4002516237983 / Material number: 11345390 / Old Material Number: 26763371D

Integrated cooling fan	•
Overheating protection	•
Residual heat indicator	•
Technical data	
Dimensions in mm (width)	800
Dimensions in mm (height)	206
Dimensions in mm (depth)	520
Casing height incl. connection box in mm	200
Cutout dimensions in mm (width) with surface-mounted installation	780 mm
Cutout dimensions in mm (depth) with surface-mounted installation	500 mm
Internal cutout dimensions in mm (width) with flush installation	780
Internal cutout dimensions in mm (depth) with flush installation	500
Weight in kg	22
External cutout dimensions in mm (width) with flush installation	804
External cutout dimensions in mm (depth) with flush installation	524
Total rated load in kW	7,50
Voltage in V	230
Frequency in Hz	50-60
Technical modifications carried out compared to KMDA 7774-1	•
Length of supply lead in m	2
Accessories included	
Mains cable	Yes

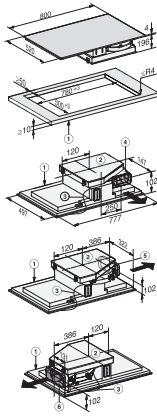
KMDA 7633 FL

Induction hob with integrated vapour extraction
with two PowerFlex cooking areas and centrally positioned vapour extraction



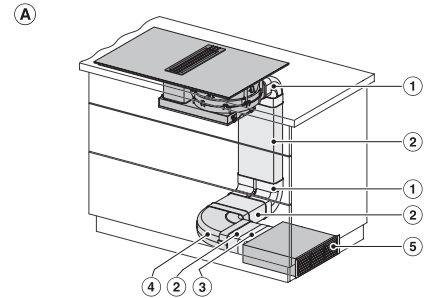
KMDA 7633 FL, KMDA 7634 FL, KMDA 7476 FL – flush (Installation drawing)

- 1) Front, 2) The removable drip tray must be accessible after installation, 3) Mains connection box with mains connection cable, L = 1440 mm, 4) Stepped cut-out, 5) Wooden support frame (not supplied with the appliance), 6) Duct connection at rear >220-222 x 89-90 / R1-R19 (machine delivered with this option), 7) Duct connection to the right >220-222 x 89-90 / R1-R19 (requires conversion), 8) Duct connection to the left >220-222 x 89-90 / R1-R19 (requires conversion)



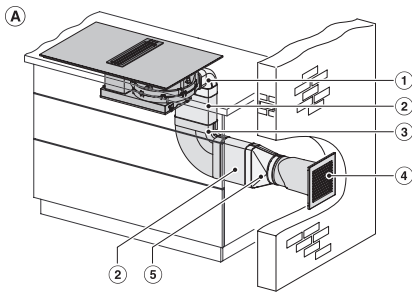
KMDA 7633 FL, KMDA 7634 FL, KMDA 7476 FL – frameless supported (Installation drawing)

- 1) Front, 2) The removable drip tray must be accessible after installation, 3) Mains connection box with mains connection cable, L = 1440 mm, 4) Duct connection at rear >220-222 x 89-90 / R1-R19 (machine delivered with this option), 5) Duct connection to the right >220-222 x 89-90 / R1-R19 (requires conversion), 6) Duct connection to the left >220-222 x 89-90 / R1-R19 (requires conversion)



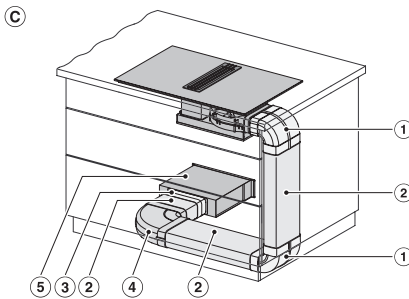
KMDA 7633, KMDA 7634, KMDA 7476 Built-in version 1 (Installation drawing)

- 1) DFK-BV 90, 2) DFK-R 1000, 3) DFK-V, 4) DFK-BH 90, 5) DUU 1000-2



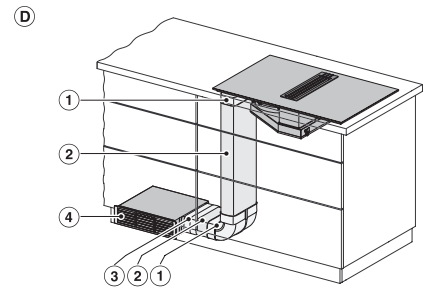
KMDA 7633 KMDA 7634, KMDA 7476 - Built-in version 6 (Installation drawing)

- 1) DFK-BV 90, 2) DFK-R 1000, 3) DFK-BH 90, 4) DMK 150-1, 5) DFK-A



KMDA 7633, KMDA 7634, KMDA 7476 - built-in version (Installation drawing)

- 1) DFK-BV 90, 2) DFK-R 1000, 3) DFK-V, 4) DFK-BH 90, 5) DUU 1000-2

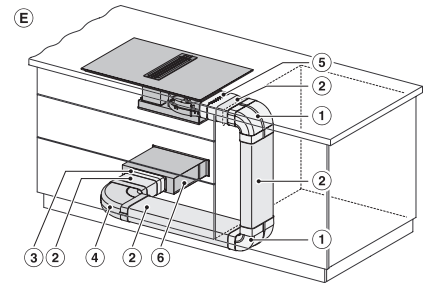
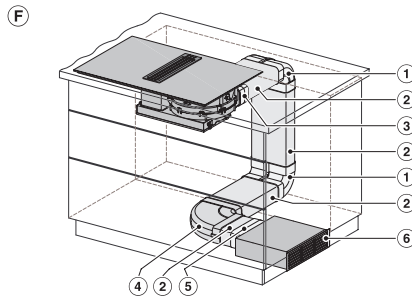
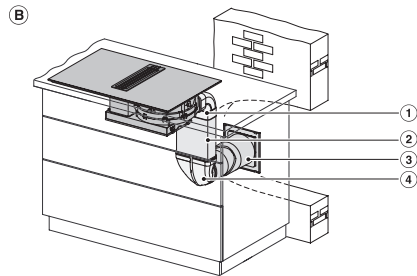


KMDA 7633, KMDA 7634, KMDA 7476 - built-in version (Installation drawing)

- 1) DFK-BV 90, 2) DFK-R 1000, 3) DFK-V, 4) DUU 1000-2

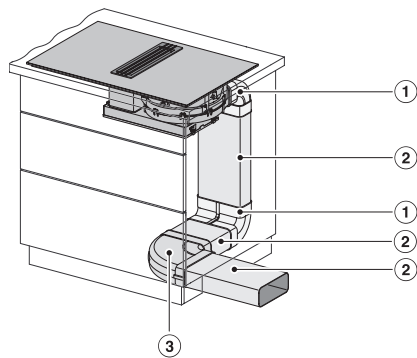
KMDA 7633 FL

Induction hob with integrated vapour extraction
with two PowerFlex cooking areas and centrally positioned vapour extraction



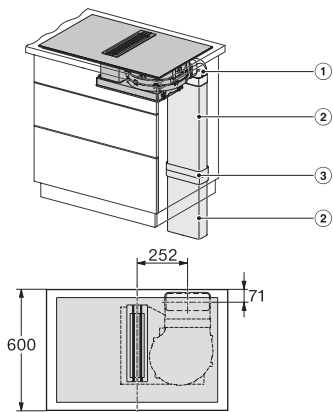
KMDA 7633, KMDA 7634, KMDA 7476 - built-in version 7 (Installation drawing)

1) DFK-BV 90, 2) DFK-R 1000, 3) DMK 150-1, 4) DFK-AK 90



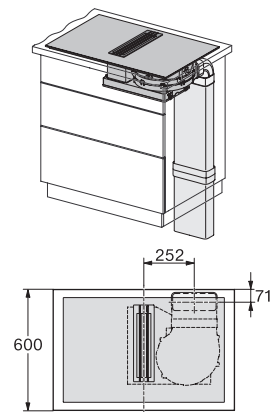
KMDA 7633, KMDA 7634, KMDA 7476 - built-in version 2 (Installation drawing)

1) DFK-BV 90, 2) DFK-R 1000, 3) DFK-L, 4) DFK-BH 90, 5) DFK-V, 6) DUU 1000-2



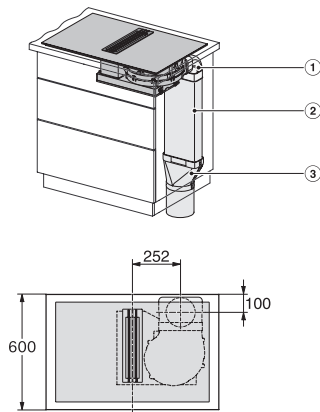
KMDA 7633, KMDA 7634, KMDA 7476 - built-in version 5 (Installation drawing)

1) DFK-BV 90, 2) DFK-R 1000, 3) DFK-V, 4) DFK-BH 90, 5) DFK-L, 6) DUU 1000-2



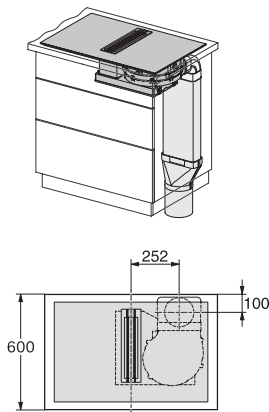
KMDA 7633, KMDA 7634, KMDA 7476 - built-in version 8 (Installation drawing)

1) DFK-BV 90, 2) DFK-R 1000, 3) DFK-BH 90



KMDA 7633, KMDA 7634, KMDA 7476 - built-in version 10 (Installation drawing)

1) DFK-BV 90, 2) DFK-R 1000, 3) DFK-V



KMDA 7633, KMDA 7634, KMDA 7476 - built-in version 10 (Installation drawing)

KMDA 7633, KMDA 7634, KMDA 7476 - built-in version 11 (Installation drawing)

1) DFK-BV 90, 2) DFK-R 1000, 3) DFK-V

KMDA 7633, KMDA 7634, KMDA 7476, - built-in version 11 (Installation drawing)