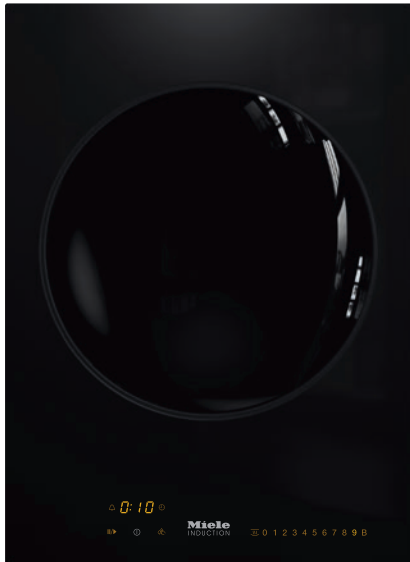


CS 7641 FL
SmartLine element
with induction wok



- Intuitive quick selection via number sequences – Smart Select
- Elegant design – for flush or raised installation
- Seamlessly integrates with any SmartLine element
- Eye-catcher – with integrated wok
- Powerful – booster function

EAN: 4002516276210 / Material number: 11323040 / Old Material Number: 27764150GB

| | |
|---|-------------------|
| Heating type | |
| Heating type | Induction |
| Construction type | |
| SmartLine | • |
| Design | |
| Elegant glass ceramic surface | • |
| Flush | • |
| Ceramic surface colour | Black |
| Surface-mounted installation | • |
| Appliance networking | • |
| Cooking zone details | |
| Number of cooking zones | 1 |
| 1st cooking zone/cooking area | |
| Position | Centred |
| Type | Wok burner |
| Size in mm | Ø 300 |
| Max. Booster power rating in W | 3000 |
| Max. rating in W | 2500 |
| 6th cooking zone/cooking area | |
| Wok recess | Wok recess |
| User convenience | |
| Operation via sensor controls | Smart Select |
| Pan and pan size recognition | • |
| Display colour | Yellow |
| Auto heat-up | • |
| Permanent pan recognition | • |
| Keeping warm | • |
| Stop & Go function | • |
| Recall function | • |
| Individual setting options (e.g. buzzers) | • |
| Wipe protection | • |
| Minute minder | • |
| Cleaning and care | |
| Easy to clean ceramic glass | • |
| Safety | |
| Safety switch-off | • |
| Lock function | • |
| System lock | • |
| Integrated cooling fan | • |
| Overheating protection | • |
| Residual heat indicator | • |
| Technical data | |
| Dimensions (H x W x D) in mm | 134 x 378 x 520 |
| Dimensions in mm (width) | 378 |
| Dimensions in mm (height) | 134 |
| Dimensions in mm (depth) | 520 |
| Cut-out dimensions (W x D) with flush-fit installation in mm | 358/382 x 500/524 |
| Cutout dimensions in mm (width) with surface-mounted installation | 358 |

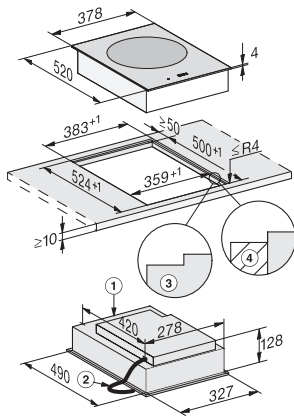
CS 7641 FL
SmartLine element
with induction wok



EAN: 4002516276210 / Material number: 11323040 / Old Material Number: 27764150GB

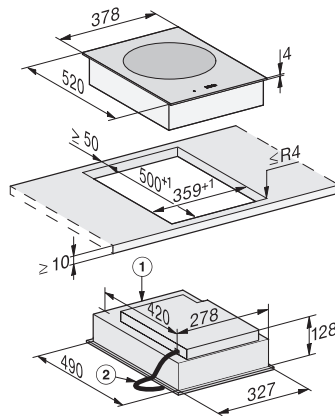
| | |
|---|---------|
| Cutout dimensions in mm (depth) with surface-mounted installation | 500 |
| Casing height incl. connection box in mm | 129 |
| Internal cutout dimensions in mm (width) with flush installation | 358 |
| Internal cutout dimensions in mm (depth) with flush installation | 500 |
| Weight in kg | 12 |
| External cutout dimensions in mm (width) with flush installation | 382 |
| External cutout dimensions in mm (depth) with flush installation | 524 |
| Total rated load in kW | 3,00 |
| Length of supply lead in m | 1,5 |
| Voltage in V | 220-240 |
| Frequency in Hz | 50-60 |
| Accessories included | |
| Mains cable | Yes |
| Coated wok pan | • |

CS 7641 FL SmartLine element with induction wok



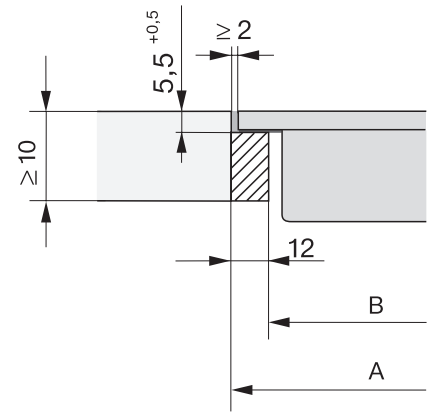
CS7641FL, flush (Installation drawing)

1) Front, 2) Mains connection cable, L = 2000 mm, 3) Stepped cut-out, 4) Wooden frame 12 mm (supplied loose)



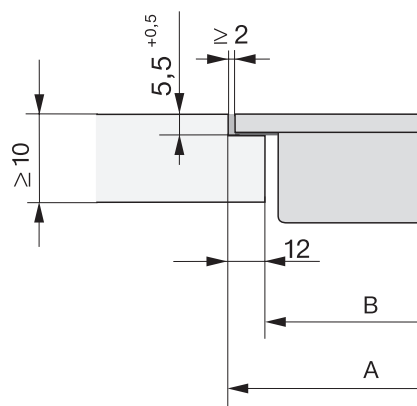
CS7641FL, onset (Installation drawing)

1) Front, 2) Mains connection cable, L = 2000 mm



CS 7000 FL, flush (Installation drawing)

*7+0,5 = CS7641 (Wok)



CS 7000 FL, flush (Installation drawing)

*7+0,5 = CS7641 (Wok)