

G 7150 SCVi

Fully integrated dishwashers
with 3D MultiFlex tray for maximum convenience.



- Perfect results in less than one hour – QuickPowerWash
- Everything completely dry – AutoOpen drying
- Fresh water dishwashers – from ?? in the Automatic programme
- Very easy door opening and closing – ComfortClose
- Versatile and secure – ExtraComfort basket design

EAN: 4002516214144 / Material number: 11293800 / Old Material Number: 21715062AE

Model	
Fully integrated dishwasher	•
60 cm dishwasher	•
Design	
Control panel colour	Stainless Steel.
Control panel version	Fully integrated fascia
Control type	Programme selector button
Display	1-line text display
Display colour	White
Multilingua	•
Convenience	
Door closing aid	ComfortClose
Operating noise dB(A) re 1 pW	44
Time left display	•
Delay start up to 24 hours	•
In-operation indicator light	optical and acoustic
Display language selection	•
Efficiency and sustainability	
EcoFeedback	•
EcoPower Technology	•
Proven hygiene	•
Hot water connection	•
Half load	•
Quality of results	
Fresh water dishwasher	•
SensorDry	•
Recirculation Turbothermic drying	•
Active condensation drying	•
BrilliantGlassCare	•
Wash programmes	
QuickPowerWash	•
ECO	•
Automatic	•
Intensive 75 °C	•
PowerWash	•
Gentle	•
ExtraQuiet 40 dB(A)	•
Appliance care	•
Dishwashing options	
IntenseZone	•
Express	•
Extra Clean	•
Extra dry	•
Basket design	
Cutlery loading	3D MultiFlex tray
FlexCare glass holder	2
FlexCare cup rack	1
Basket design	ExtraComfort
Safety	
Waterproof system	•

G 7150 SCVi

Fully integrated dishwashers
with 3D MultiFlex tray for maximum convenience.



EAN: 4002516214144 / Material number: 11293800 / Old Material Number: 21715062AE

Filter indicator light

•

Technical data

Niche width minimal in mm	600
Niche width max in mm	600
Niche height minimal in mm	805
Niche height maximal in mm	870
Niche depth in mm	550
Appliance width in mm	598
Appliance height in mm	805
Appliance depth in mm	550
Depth with door open in cm	116,5
Net weight in kg	47,0
Total rated load in kW	2,00
Voltage in V	230
Fuse rating in A	10
Number of phases	1
Electrical frequency standard	50
Energy stars	5,0
Length of water inlet hose in cm	1,50
Length of water drain hose in cm	1,50
Length of supply lead in m	1,80
Min. front panel weight in kg	4,0
Max. front panel weight in kg	10,0
[can be retrofitted by Service to min.]	8,0
[can be retrofitted by Service to max.]	16,0

Available display languages

Available display languages via MultiLingua: bahasa malaysia, deutsch, english, ,

Accessories included

1 x UltraTabs box (20 tabs)

•

Voucher for 1 x box of UltraTabs (20 tabs) or 9 boxes at a reduced price

•

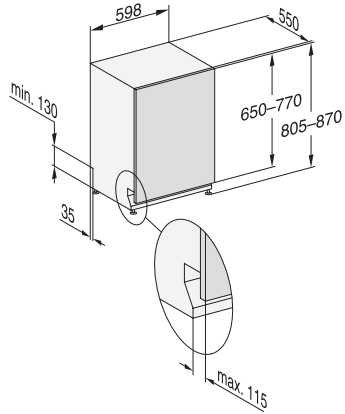
G 7150 SCVi

Fully integrated dishwashers
with 3D MultiFlex tray for maximum convenience.



G7000, fully integrated dishwasher, 60cm (installation drawing)

- 1) Plinth height 35-155 mm, 2) Plinth height 100-220 mm,
- 3) Appliance height max. 930 mm with plinth height conversion kit (Mat.-Nr. 6.394.761),



G7000, fully integrated dishwasher, 60cm (installation drawing)