

KF 2801 Vi

MasterCool fridge-freezer

For high-end design and technology on a large scale.



- Push2open for convenient door-opening assistance
- Food stays fresh for up to 3 x longer thanks to MasterFresh
- Light floods the interior thanks to LED elements – BrilliantLight
- Communication with appliances couldn't be easier – WiFiConn@ct
- Convenient control thanks to colour touch display MasterSensor

EAN: 4002516199922 / Material number: 11261380 / Old Material Number: 38280101GB

Appliance category	
Fridge-freezer	•
Construction type	
Built-in appliance	•
Integrated appliance	•
Door hinge	right
Convertible door hinging	•
Side-by-side enabled	•
Design	
Lighting	BrilliantLight
User convenience	
Networking with Miele@home	•
Freshness system	MasterFresh
DynaCool	•
NoFrost	•
DuplexCool Pro	•
SoftClose	•
SelfClose	•
IceMaker with mains water connection	•
Push2open	•
FullAccess	•
EasyClean	•
MaxLoad hinge	•
Control system	
Operating concept	MasterSensor
Independent temperature regulation of fridge and freezer zones	Yes
Automatic SuperCool	•
No. of temperature zones	3
Sabbath mode	•
Eco mode	•
Fridge/Fridge section	
Height-adjustable tempered glass shelves	1
No. of crisper drawers	2
SlidingShelf	•
Door shelves for jars	1
Door rack for bottles	2
Freezer/Freezer section	
Number of freezer baskets	2
Safety	
Lock function	•
Spill guard	•
Acoustic door alarm	•
Acoustic temperature alarm	•
Optical door alarm	•
Optical temperature alarm	•
Technical data	
Niche width in mm min.	762
Niche width in mm max.	765
Niche height in mm min.	2134

KF 2801 Vi

MasterCool fridge-freezer

For high-end design and technology on a large scale.



EAN: 4002516199922 / Material number: 11261380 / Old Material Number: 38280101GB

Niche height in mm max.	2164
Niche depth in mm	629
Appliance width in mm	756
Appliance height in mm	2127
Appliance depth in mm	610
Weight in kg	179,6
Door hinge technology	Fixed door
Max. door front weight – refrigerator, in kg	45
Max. door front weight – freezer, in kg	18
Climate class	SN-T
including PerfectFresh zone in l	27
Total usable capacity in l	404
Storage time in case of fault in h	17
Current consumption (mA)	3000
Voltage in V	220-240
Fuse rating in A	13
Number of phases	1
Frequency in Hz	50-60
Length of supply lead in m	3,0
Replacing lamps	Service

Accessories included

Active AirClean filter

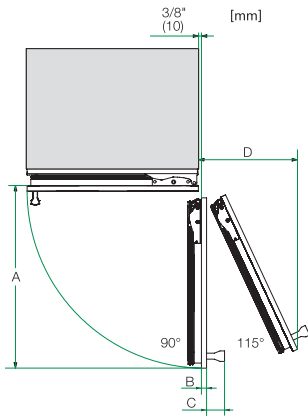
•

Available display languages

Available display languages via MultiLingua

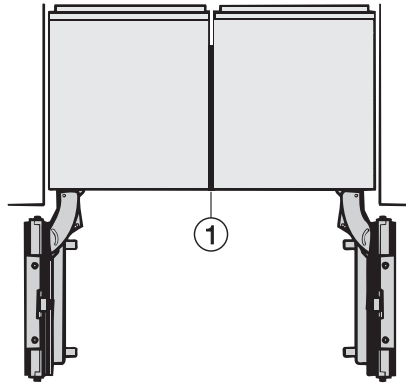
bahasa malaysia, dansk, deutsch, eesti, english, english (AU), english (CA), english (GB), english (US), español, français, français (CA), français (FR), hrvatski, italiano, latviesu, lietuviu, magyar, nederlands, norsk, polski, português, русский, română, slovenčina, slovenščina, srpski, suomi, svenska, türkçe, українська, čeština, ελληνικά,

KF 2801 Vi MasterCool fridge-freezer For high-end design and technology on a large scale.



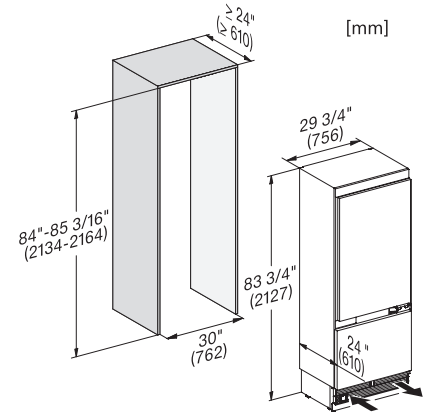
Opening angle 90°/115°, right side stop, MasterCool (Sketch) *footnote

A) Appliance door width, K 2601 Vi, K 2601 SF, KWT 2601 Vi, KWT 2601 SF, KWT 2661 ViS, KWT 2661 SFS: 677 mm (26 2/3, inch); K 2602 Vi, K 2602 SF, KWT 2602 Vi, KWT 2602 SF, KWT 2662 ViS, KWT 2662 SFS: 677 mm (26 2/3, inch); K 2801 Vi, K 2801 SF, KF 2801 Vi, KF 2801 SF: 829 mm (32 2/3 inch); K 2802 Vi, K 2802 SF, KF 2802 Vi, KF 2802 SF: 829 mm (32 2/3 inch); K 2901 Vi, K 2901 SF, KF 2901 Vi, KF 2901 SF: 982 mm (38 2/3 inch); K 2902 Vi, K 2902 SF, KF 2902 Vi, KF 2902 SF: 982 mm (38 2/3 inch); B) Furniture front (max. 38 mm) (1 1/2 inch), C) Door handle, D) Distance door to wall (without furniture front and door handle): K 2601 Vi, K 2601 SF, KWT 2601 Vi, KWT 2601 SF, KWT 2661 ViS, KWT 2661 SFS: 296 mm (11 2/3, inch); K 2602 Vi, K 2602 SF, KWT 2602 Vi, KWT 2602 SF, KWT 2662 ViS, KWT 2662 SFS: 296 mm (11 2/3, inch); K 2801 Vi, K 2801 SF, KF 2801 Vi, KF 2801 SF: 363 mm (14 1/3 inch); K 2802 Vi, K 2802 SF, KF 2802 Vi, KF 2802 SF: 363 mm (14 1/3 inch), K 2901 Vi, K 2901 SF, KF 2901 Vi, KF 2901 SF: 428 mm (16 7/8 inch), K 2902 Vi, K 2902 SF, KF 2902 Vi, KF 2902 SF: 428 mm (16 7/8 inch), E) ONLY valid for SF versions: A + 25 mm (1 inch)

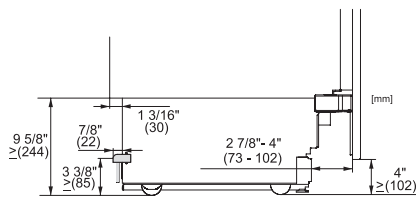


Side-by-side, MasterCool, without partition wall, with heating mat (Sketch) (with footnote)

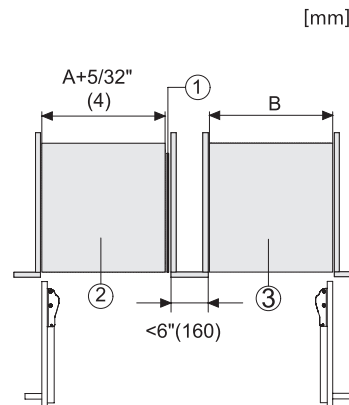
1) Heating mat KSK 2001 (EU, AUS, CN) or KSK 2002 (US, CA, MX, BR)



KF2802Vi, KF2812Vi, KF2801Vi, KF2811Vi, Installation, MasterCool II, installation drawings

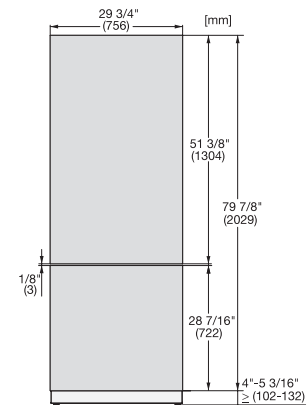


KF2901Vi/SF, KF2911Vi/SF, KF2801Vi/SF, KF2811Vi/SF, KF2981Vi/SF, sideview, MasterCool, installation drawings



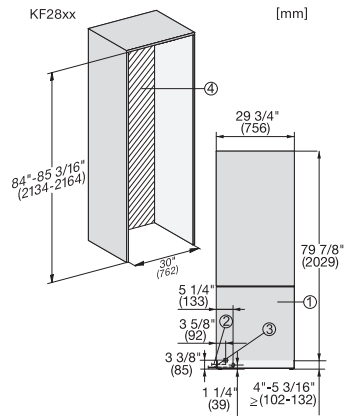
Side-by-Side, MasterCool, footnote, installation drawings

1. KSK 2001/2002, 2. Device A, 3. Device B, A = niche device A, B = niche device B



KFP3015ed/cs, KFP3025ed/cs, KFP3014ed/cs, KFP3024ed/cs, Front panel, Front dimensions, MasterCool, sketch

KF 2801 Vi
 MasterCool fridge-freezer
 For high-end design and technology on a large scale.



KF2801Vi, KF2811SF, KF2811Vi, KF2811SF, KF2802Vi, KF2812SF, KF2812Vi, KF2812SF, MasterCool, installation drawings

1. View from the front, 2. Mains Connection cable, L = 3000 mm, 3. Water inlet position, L = 2000mm, 4. No water/ELT connections permitted in this area