

CVA 7440

Built-in coffee machine

In a perfectly combinable design with patented CupSensor for perfect coffee.



- Large clear-text display with sensor controls – DirectSensor
- Perfectly positioned: thanks to the patented CupSensor
- Two coffees at once at the touch of a button – OneTouch for Two
- Always freshly ground – AromaticSystemFresh
- Convenient when hosting lots of guests – coffee/tea pot function

EAN: 4002516141679 / Material number: 11166670 / Old Material Number: 29744020GBX

Construction type and design	
Built-in bean-to-cup coffee machine	•
VitroLine	•
ArtLine	•
Colour	Obsidian black
Convenience features	
AromaticSystemFresh	•
OneTouch preparation	•
OneTouch for Two preparation	•
DoubleShot	•
Programmable User profiles	10
Aroma-friendly conical grinder	•
Selectable grinder setting	•
Programmable amount of coffee	•
Programmable amount of water	•
Programmable water temperature	•
Amount of milk can be programmed	•
Programmable amount of milk froth	•
Pre-brewing programmable	•
TeaTimer	•
User convenience	
Networking with Miele@home	•
Display	DirectSensor
CupSensor	•
Height adjustable central spout, range in cm	4,0
Height adjustable central spout, range in cm	16,5
PerformanceMode	•
EasyClick milk container	•
ComfortDoor	•
Concealed door handle	•
BrilliantLight	•
Expert mode	•
MultiLingua	•
No. of bean types	1
No. of bean containers	2
Capacity of bean container A in g	300
Capacity of bean container B in g	300
Bean container capacity, total in g	600
Removable bean container	•
Capacity of water container in l	2,7
Milk container capacity in l	0,7
Capacity of waste container in capsules	17
Drip tray capacity	1,6
Easily accessible containers	•
Time of day display	•
Clock synchronisation	•
Date display	•
Programmable switch-on time	•
Programmable switch-off time	•
Programmable standby time	•

CVA 7440

Built-in coffee machine

In a perfectly combinable design with patented CupSensor for perfect coffee.



EAN: 4002516141679 / Material number: 11166670 / Old Material Number: 29744020GBX

Programmable settings

**Drink specialities**

Selectable beverage portion size in ml 20-300

Ristretto, single

Ristretto, double

Espresso, single

Espresso, double

Coffee, single

Coffee, double

Long coffee, single

Long coffee, double

Cappuccino, single

Cappuccino, double

Latte macchiato, single

Latte macchiato, double

Hot milk, single

Latte macchiato, double

Milk froth, single

Milk froth, double

Espresso macchiato, single

Espresso macchiato, double

Cappuccino italiano, single

Cappuccino italiano, double

Flat white, single

Flat white, double

Café au lait, single

Café au lait, double

Caffè latte, single

Caffè latte, double

Caffè americano, single

Caffè Americano, double

Long black, single

Long black, double

Warm water, single

Warm water, double

Hot water, single

Hot water, double

Black tea, single

Black tea, double

Herbal tea, single

Herbal tea, double

Fruit tea, single

Fruit tea, double

Green tea, single

Green tea, double

White tea, single

White tea, double

Japanese tea, single

Japanese tea, double

Chai latte, single

Chai latte, double

CVA 7440

Built-in coffee machine

In a perfectly combinable design with patented CupSensor for perfect coffee.

EAN: 4002516141679 / Material number: 11166670 / Old Material Number: 29744020GBX

Coffee pot	•
Teapot	•
<b>Efficiency and sustainability</b>	
Energy-saving eco-mode selectable	•
Power rating in standby mode in W	0,6
Power rating in networked standby in W	0,9
Time until automatic switch to off mode in min	20
Time until automatic switch to standby in min	20
Time until automatic switch to networked standby in min	20
<b>Cleaning and care</b>	
Manual descaling	•
Automatic rinsing of milk pipework with water from the water container	•
Convenient cleaning programmes	•
Automatic rinsing function	•
ComfortClean	•
Removable milk pipework	•
Removable brew unit	•
Programmable water hardness	•
<b>Safety</b>	
System lock	•
<b>Technical data</b>	
Min niche width in mm	560
Max niche width in mm	568
Min niche height in mm	450
Max niche height in mm	452
Niche depth in mm	500
Appliance width in mm	595
Appliance height in mm	455
Appliance depth in mm	475
Depth with door open in cm	108,0
Total rated load in kW	1,45
Voltage in V	220-240
Fuse rating in A	13
Number of phases	1
Length of supply lead in m	2,0
<b>Accessories included</b>	
Milk container made of glass	•
Descaling tablets	•

CVA 7440

Built-in coffee machine

In a perfectly combinable design with patented CupSensor for perfect coffee.



EAN: 4002516141679 / Material number: 11166670 / Old Material Number: 29744020GBX

#### Available display languages

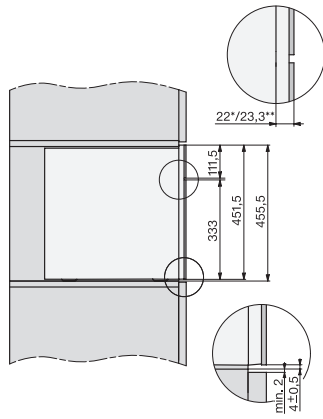
Available display languages via MultiLingua

bahasa malaysia, dansk,  
deutsch, eesti, english,  
english (AU), english (CA),  
english (GB), english (US),  
español, français, français  
(CA), français (FR), hrvatski,  
italiano, latviesu, lietuviu,  
magyar, nederlands,  
norsk, polski, português,  
русский, română,  
slovenčina, slovenščina,  
srpski, suomi, svenska,  
türkçe, українська, čeština,  
ελληνικά, , , ,  
,

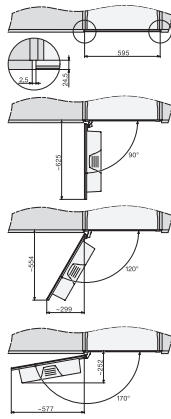
## CVA 7440

Built-in coffee machine

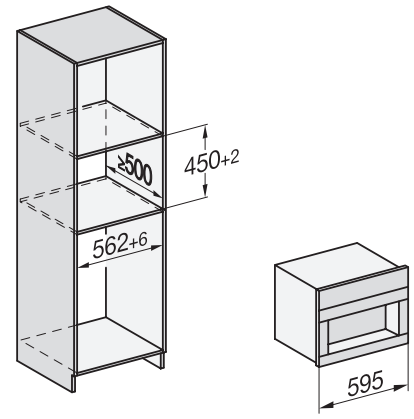
In a perfectly combinable design with patented CupSensor for perfect coffee.



CVA7000, side view (\*footnote) (installation drawing)  
22 mm – Glass, 23,3 mm – Cleansteel



CVA7000, top view (installation drawings)



CVA7000 (installation drawings)