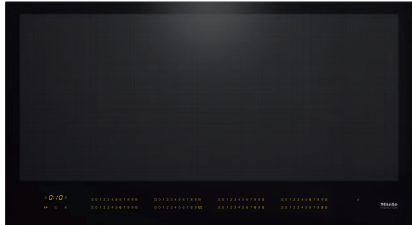


KM 7697 FL

Induction hob with onset controls

with a width of 936 mm and full-surface induction for maximum flexibility



- Intuitive quick selection via number sequences – Smart Select
- Intelligent pan recognition – for up to 6 pans
- Frameless for flush-fit or surface-mounted installation
- Broad performance spectrum – keeping warm function and TwinBooster
- Communication with the cooker hood – automatic Con@ctivity function

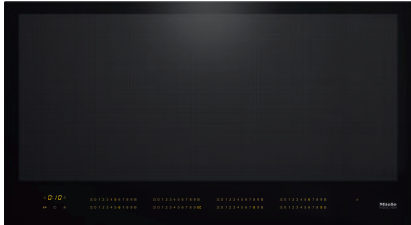
EAN: 4002516148708 / Material number: 11144090 / Old Material Number: 26769770GB

| | |
|---|------------------------|
| Heating type | |
| Heating type | Induction |
| Construction type | |
| Independent of cooker | • |
| Design | |
| Elegant glass ceramic surface | • |
| Flush | • |
| Ceramic surface colour | Black |
| Surface-mounted installation | • |
| Can be combined with SmartLine | • |
| Cooking zone details | |
| Number of cooking areas | 1 |
| Maximum number of pans | 6 |
| 1st cooking zone/cooking area | |
| Position | Can be selected freely |
| Type | Full area |
| Size in mm | 870x380 |
| Max. Booster power rating in W | 3300 |
| Max. rating in W | 2600 |
| Max. TwinBooster power rating in W | 3650 |
| User convenience | |
| Miele@home | • |
| Operation via sensor controls | Smart Select |
| Automatic function Con@ctivity 3.0 | • |
| Pan and pan size recognition | • |
| Display colour | Yellow |
| Auto heat-up | • |
| Keeping warm | • |
| Stop & Go function | • |
| Recall function | • |
| Safety switch-off | • |
| Individual setting options (e.g. buzzers) | • |
| Intelligent pan recognition | • |
| Positioning aid | • |
| Wipe protection | • |
| Minute minder | • |
| Efficiency and sustainability | |
| Power rating in off mode in W | 0,5 |
| Power rating in standby mode in W | 1,0 |
| Power rating in networked standby in W | 2,0 |
| Time until automatic switch to off mode in min | 20 |
| Time until automatic switch to standby in min | 20 |
| Time until automatic switch to networked standby in min | 20 |
| Cleaning and care | |
| Easy to clean ceramic glass | • |
| Safety | |
| Safety switch-off | • |
| Lock function | • |
| System lock | • |
| Integrated cooling fan | • |

KM 7697 FL

Induction hob with onset controls

with a width of 936 mm and full-surface induction for maximum flexibility



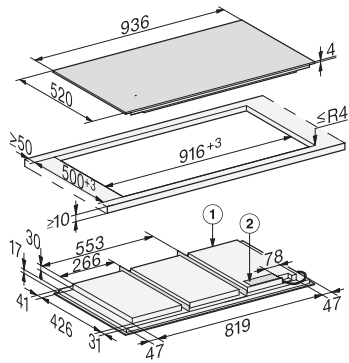
EAN: 4002516148708 / Material number: 11144090 / Old Material Number: 26769770GB

| | |
|---|----------------|
| Overheating protection | • |
| Residual heat indicator | • |
| Technical data | |
| Dimensions (H x W x D) in mm | 51 x 936 x 520 |
| Dimensions in mm (width) | 936 |
| Dimensions in mm (height) | 51 |
| Dimensions in mm (depth) | 520 |
| Cutout dimensions in mm (width) with surface-mounted installation | 916 |
| Cutout dimensions in mm (depth) with surface-mounted installation | 500 |
| Casing height incl. connection box in mm | 51 |
| Internal cutout dimensions in mm (width) with flush installation | 916 |
| Internal cutout dimensions in mm (depth) with flush installation | 500 |
| Weight in kg | 21 |
| External cutout dimensions in mm (width) with flush installation | 940 |
| External cutout dimensions in mm (depth) with flush installation | 524 |
| Total rated load in kW | 11,00 |
| Length of supply lead in m | 1,4 |
| Voltage in V | 230 |
| Frequency in Hz | 50-60 |
| Accessories included | |
| Mains cable | Yes |

KM 7697 FL

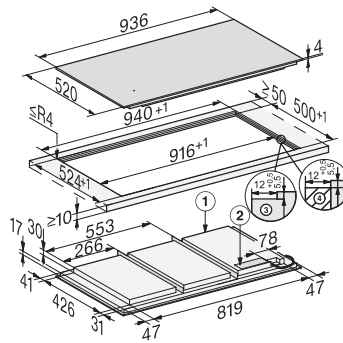
Induction hob with onset controls

with a width of 936 mm and full-surface induction for maximum flexibility



KM7697FL, KM7897FL, KM7897-1FLDiamond, KM7897-2FL Diamond (installation drawings) – onset

1) Front, 2) Mains connection box with mains connection cable, L = 1440 mm, are enclosed loosely,



KM7697FL, KM7897FL, KM7897-1FLDiamond, KM7897-2FL Diamond (installation drawings) – flush-fit

1) Front, 2) Mains connection box with mains connection cable, L = 1440 mm, are enclosed loosely, 3) Stepped cut-out natural stone worktop, 4) Wood support 12 mm (not supplied)