

## KM 7464 FL

Induction hob with onset controls

with PowerFlex cooking area for maximum power output



- Quick selection via numerical keybank – ComfortSelect
- 4 cooking zones incl. 1 high-power PowerFlex cooking area
- A width of 620 mm for surface-mounted or flush-fit installation
- Shortest heating-up times – TwinBooster
- Communication with the cooker hood – automatic Con@ctivity function

EAN: 4002516149255 / Material number: 11144030 / Old Material Number: 26746470GB

<b>Heating type</b>	
Heating type	Induction
<b>Construction type</b>	
Independent of cooker	•
<b>Design</b>	
Elegant glass ceramic surface	•
Flush	•
Ceramic surface colour	Black
Surface-mounted installation	•
<b>Cooking zone details</b>	
Number of cooking zones	4
Number of cooking areas	1
Maximum number of pans	4
<b>PowerFlex cooking zones</b>	
No.	2
Type	PowerFlex cooking zone
Diameter in mm	Ø 150 – 230
Rating in W	2100
Booster in W	3000
TwinBooster in W	3650
<b>1st cooking zone/cooking area</b>	
Position	front left
Type	Dual-circuit ring
Size in mm	Ø 140-190
Max. Booster power rating in W	2500
Max. rating in W	1850
Max. TwinBooster power rating in W	3000
<b>2nd cooking zone/cooking area</b>	
Position	rear left
Type	Dual-circuit ring
Size in mm	Ø 100-160
Max. Booster power rating in W	1700
Max. rating in W	1400
Max. TwinBooster power rating in W	2200
<b>3rd cooking zone/cooking area</b>	
Position	right
Type	PowerFlex bridge
Size in mm	230x390
Max. Booster power rating in W	4800
Max. rating in W	3400
Max. TwinBooster power rating in W	7300
<b>User convenience</b>	
Miele@home	•
Operation via sensor controls	ComfortSelect
Automatic function Con@ctivity 3.0	•
Pan and pan size recognition	•
Display colour	Yellow
Auto heat-up	•
Permanent pan recognition	•
Keeping warm	•

KM 7464 FL

Induction hob with onset controls

with PowerFlex cooking area for maximum power output



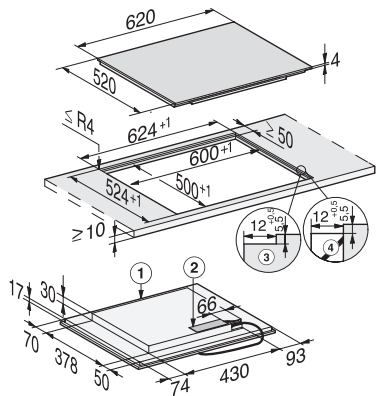
EAN: 4002516149255 / Material number: 11144030 / Old Material Number: 26746470GB

Stop & Go function	•
Recall function	•
Safety switch-off	•
Individual setting options (e.g. buzzers)	•
Minute minder	•
<b>Efficiency and sustainability</b>	
Power rating in off mode in W	0,5
Power rating in standby mode in W	1,0
Power rating in networked standby in W	2,0
Time until automatic switch to off mode in min	20
Time until automatic switch to standby in min	20
Time until automatic switch to networked standby in min	20
<b>Cleaning and care</b>	
Easy to clean ceramic glass	•
<b>Safety</b>	
Safety switch-off	•
Lock function	•
System lock	•
Integrated cooling fan	•
Overheating protection	•
Residual heat indicator	•
<b>Technical data</b>	
Dimensions in mm (width)	620
Dimensions in mm (height)	51
Dimensions in mm (depth)	520
Cutout dimensions in mm (width) with surface-mounted installation	600
Cutout dimensions in mm (depth) with surface-mounted installation	500
Casing height incl. connection box in mm	51
Internal cutout dimensions in mm (width) with flush installation	600
Internal cutout dimensions in mm (depth) with flush installation	500
Weight in kg	11
External cutout dimensions in mm (width) with flush installation	624
External cutout dimensions in mm (depth) with flush installation	524
Total rated load in kW	7,30
Length of supply lead in m	1,4
Voltage in V	230
Frequency in Hz	50-60
<b>Accessories included</b>	
Mains cable	Yes

## KM 7464 FL

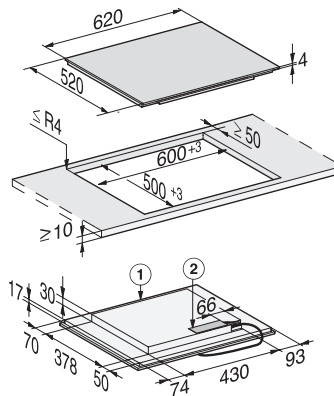
Induction hob with onset controls

with PowerFlex cooking area for maximum power output



KM 7464 FL, KM 7465 FL (installation drawings)

1) Front, 2) Mains connection box with mains connection cable, L = 1440 mm, 3) Stepped cut-out natural stone worktop, 4) Wood support 12 mm (not supplied),



KM 7464 FL, KM 7465 FL (installation drawings) onset

1) at the front 2) Mains connection box with mains connection cable, L = 1440 mm,