

KM 7201 FR

Induction hob with onset controls

with 4 round cooking zones at an attractive entry-level price



- Easy operation – EasySelect
- 4 round cooking zones in various sizes
- A width of 574 mm with stainless steel frame for surface installation
- Shortest heating-up times – TwinBooster

EAN: 4002516128519 / Material number: 11143970 / Old Material Number: 26720110GB

Heating type	
Heating type	Induction
Construction type	
Independent of cooker	•
Design	
Elegant glass ceramic surface	•
Ceramic surface colour	Black
Stainless steel frame	•
Surface-mounted installation	•
Cooking zone details	
Number of cooking zones	4
Number of cooking areas	0
Maximum number of pans	4
1st cooking zone/cooking area	
Position	front left
Type	Dual-circuit ring
Size in mm	Ø 160-220
Max. Booster power rating in W	3000
Max. rating in W	2300
Max. TwinBooster power rating in W	3650
2nd cooking zone/cooking area	
Position	rear left
Type	Dual-circuit ring
Size in mm	Ø 100-160
Max. Booster power rating in W	1700
Max. rating in W	1400
Max. TwinBooster power rating in W	2200
3rd cooking zone/cooking area	
Position	rear right
Type	Dual-circuit ring
Size in mm	Ø 140-190
Max. Booster power rating in W	2500
Max. rating in W	1850
Max. TwinBooster power rating in W	3000
4th cooking zone/cooking area	
Position	front right
Type	Dual-circuit ring
Size in mm	Ø 140-190
Max. Booster power rating in W	2500
Max. rating in W	1850
Max. TwinBooster power rating in W	3000
User convenience	
Operation via sensor controls	EasySelect
Pan and pan size recognition	•
Display colour	Yellow
Auto heat-up	•
Permanent pan recognition	•
Keeping warm	•
Stop & Go function	•
Recall function	•

KM 7201 FR

Induction hob with onset controls

with 4 round cooking zones at an attractive entry-level price



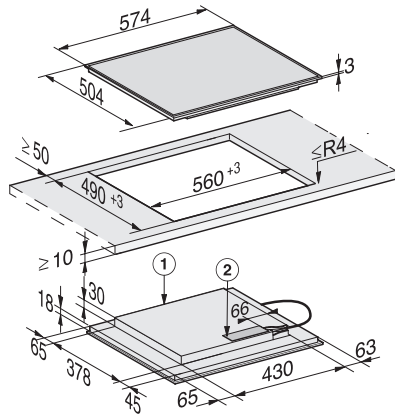
EAN: 4002516128519 / Material number: 11143970 / Old Material Number: 26720110GB

Safety switch-off	•
Individual setting options (e.g. buzzers)	•
Minute minder	•
Cleaning and care	
Easy to clean ceramic glass	•
Safety	
Safety switch-off	•
Lock function	•
System lock	•
Integrated cooling fan	•
Overheating protection	•
Residual heat indicator	•
Technical data	
Dimensions in mm (width)	574
Dimensions in mm (height)	51
Dimensions in mm (depth)	504
Cutout dimensions in mm (width) with surface-mounted installation	560
Cutout dimensions in mm (depth) with surface-mounted installation	490
Casing height incl. connection box in mm	48
Weight in kg	10
Total rated load in kW	7,30
Length of supply lead in m	1,4
Voltage in V	230
Frequency in Hz	50-60
Accessories included	
Mains cable	Yes

KM 7201 FR

Induction hob with onset controls

with 4 round cooking zones at an attractive entry-level price



KM7201FR, KM7201-1FR (installation drawing)

1) Front, 2) Mains connection box. Mains connection cable
L = 1440 mm, supplied loose