

H 7264 B

Oven

seamless design with clear text display and PerfectClean.



- Clear text display with sensor controls – DirectSensor S
- Particularly easy to clean – PerfectClean finish
- Especially light dough and nicely browned crusts – Moisture plus
- Network-enabled WiFi appliance – Miele@home
- Achieve perfect results with ease – automatic programmes

EAN: 4002516219316 / Material number: 11129060 / Old Material Number: 22726444GB

Construction type	
Appliance Colour	Stainless steel/Clean Steel
Construction type and design	
Built-in oven	•
PureLine	•
Convenience features	
Rapid heat-up	•
Operating modes	
Defrosting	•
Automatic programmes	•
Auto roast	•
Eco hot air	•
Grill operating modes	•
Grill	•
Fan plus	•
Intensive bake	•
Moisture plus	•
Moisture plus with Fan plus	•
Conventional heat	•
Bottom heat	•
Fan grill	•
User convenience	
Networking with Miele@home	•
Display	DirectSensor S
SoftOpen	•
SoftClose	•
MultiLingua	•
Time of day display	•
Clock synchronisation	•
Minute minder	•
Programmable start of cooking duration	•
Programmable end of cooking duration	•
Programmable cooking duration	•
Actual temperature display	•
Target temperature display	•
Buzzer when desired temperature is reached	•
Recommended temperature	•
Individual settings	•
Efficiency and sustainability	
Energy efficiency class (A+++ – D)	A+
Power rating in off mode in W	0,5
Power rating in standby mode in W	1,0
Power rating in networked standby in W	2,0
Time until automatic switch to standby in min	20
Time until automatic switch to networked standby in min	20
Time until automatic switch to off mode in min	20
Cleaning and care	
Stainless steel/CleanSteel finish	•
Oven compartment with PerfectClean and catalytically enamelled liners	•

H 7264 B

Oven

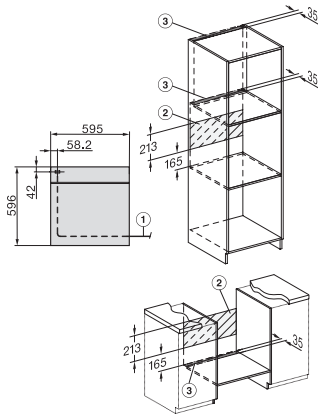
seamless design with clear text display and PerfectClean.



EAN: 4002516219316 / Material number: 11129060 / Old Material Number: 22726444GB

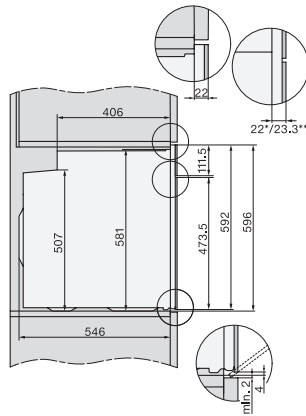
Hinged grill element	•
CleanGlass door	•
Safety	
Appliance cooling system and touch-cool front	•
Safety switch-off	•
System lock	•
Technical data	
Oven compartment volume in l	76
No. of shelf levels	5
Number of shelf levels oven compartment 1	5
Number of shelf levels oven compartment 2	5
Numbered shelf levels	•
Oven light	1 halogen spot
Temperatures in °C	30–300
Temperatures min. in °C	30
Temperatures max. in °C	300
Niche width min. in mm	560
Niche width max. in mm	568
Niche height min. in mm	590
Niche height max. in mm	595
Niche depth in mm	550
Appliance width in mm	595
Appliance height in mm	596
Appliance depth in mm	569
Weight in kg	42,0
Total rated load in kW	3,50
Voltage in V	220-240
Frequency in Hz	50
Fuse rating in A	16
Number of phases	1
Length of supply lead in m	1,50
Replacing lamps	Customer
Accessories included	
Baking tray with PerfectClean	1
Universal tray with PerfectClean	1
Baking and roasting rack with PerfectClean	1
FlexiClip runners with PerfectClean	1
Removable PerfectClean side runners (pair)	1
Grilling and roasting insert with PerfectClean	1
Descaling tablets	2
Available display languages	
Available display languages via MultiLingua	bahasa malaysia, dansk, deutsch, english, español, français, hrvatski, italiano, magyar, nederlands, norsk, polski, português, русский, română, slovenščina, slovensčina, srpski, suomi, svenska, türkçe, українська, čeština, ελληνικά,

H 7264 B Oven seamless design with clear text display and PerfectClean.



installation H7000 XL, installation drawing, GB, AU

1) Netzanschlussleitung, L=1500 mm, 2) In diesem Bereich kein Anschluss, 3) Lüftungsausschnitt min. 150 cm²

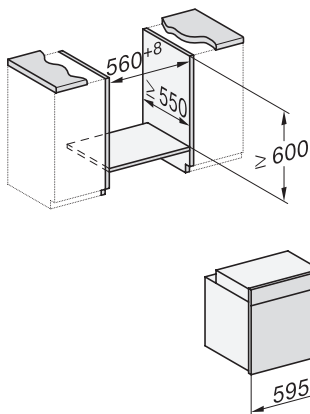


side view H7000 XL, installation drawings, GB, AU

22 mm – glass, 23.3 mm – metal

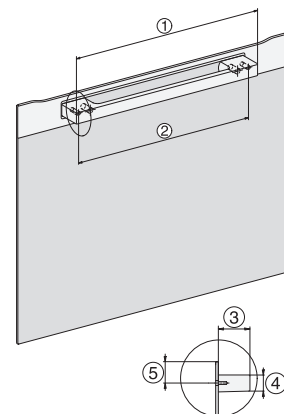


built-in H7000 XL, installation drawing



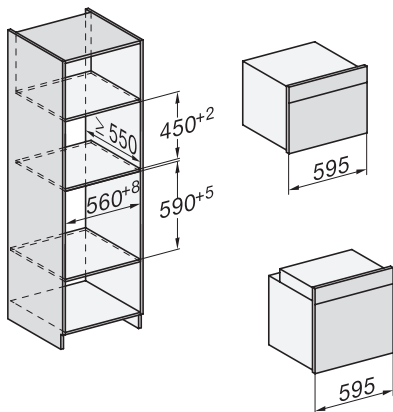
H226x-1B/BP/E/EP/IP, H2x6xB/BP, H7x6xB/BP/BPX, installation drawings

If the oven is to be installed under a hob, follow the instructions for installing the hob and the height of the hob.

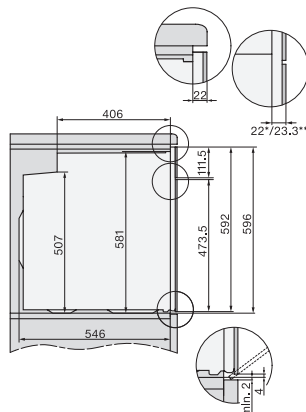


DG2840, DG7x40, DGC7x4x, DG7x6x, DGC7x6x, DGD7635, DGM7x4x, DO7, H28B/BP, H7x4xB/BM/BP, H7x6xB/BP, installation drawing

1) 400 mm, 2) 360 mm, 3) 47 mm, 4) 24 mm, 5) 32.5 mm

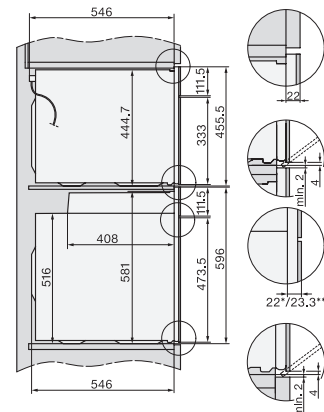


H226x-1B/BP/E/EP/IP, H2760B/BP, H28x0B/BP, H7x40B/BMX, H7x6xB/BP/BPX, installation drawings



side view H7000 XL build-under, installation drawing, GB, AU

22 mm – glass, 23.3 mm – metal



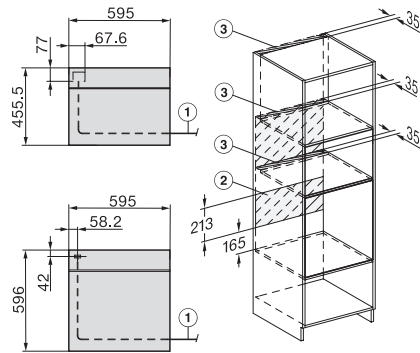
H2xxx-1 B/BP/E/IP, H7xxx B/BP/BM/BMX, installation drawings

22 mm – glass, 23.3 mm – metal

H 7264 B

Oven

seamless design with clear text display and PerfectClean.



H2xxx-1 B/BP/E/I/IP, H7xxx B/BP/BM/BMX, installation drawings

22 mm – glass, 23,3 mm – metal