

M 7244 TC

Built-in microwave oven

in a design that is the perfect complement with controls on the top.



- Clear-text display with sensor controls – DirectSensor S
- Optimum and even browning – integrated Quartz grill
- Perfect defrosting and cooking – Automatic programmes
- Plenty of room – 46 l oven compartment volume and 40 cm turntable
- Popcorn at the touch of a button – Popcorn button

EAN: 4002516115366 / Material number: 11103650 / Old Material Number: 24724420D

Construction type	
Appliance Colour	Obsidian black
Construction type and design	
Built-in microwave oven	•
VitroLine	•
TopControl	•
Convenience features	
Keeping warm	•
Quartz grill	•
Operating modes	
Automatic programmes	•
Grill	•
Microwave solo operation	•
Microwave/grill combination mode	•
User convenience	
Display	DirectSensor S
SoftOpen	•
SoftClose	•
Multilingual	•
Popcorn function	•
Time of day display	•
Minute minder	•
Programmable end of cooking duration	•
Programmable cooking duration	•
Quick microwave	•
Individual settings	•
Efficiency and sustainability	
Night dimming	•
Cleaning and care	
Stainless steel oven compartment	•
CleanGlass door	•
Safety	
Appliance cooling system and touch-cool front	•
System lock	•
Safety switch-off	•
Safety lock "Door" warning	•
Technical data	
Oven compartment volume in l	46
Door hinge	Bottom
Oven light	1 LED spot
Oven interior height in cm	23,2
Turntable diameter in cm	40,6
Electronically controlled microwave power	•
Microwave power levels in W	
Maximum microwave power in W	900
Grill power rating in W	1500
Niche width min. in mm	562
Niche width max. in mm	568
Niche height min. in mm	450
Niche height max. in mm	452

M 7244 TC

Built-in microwave oven

in a design that is the perfect complement with controls on the top.



EAN: 4002516115366 / Material number: 11103650 / Old Material Number: 24724420D

Appliance dimensions (W x H x D) in mm	595 x 456 x 560
Appliance width in mm	595
Appliance height in mm	456
Appliance depth in mm	560
Niche-independent venting	•
Weight in kg	29,1
Total rated load in kW	1,6
Voltage in V	220-240
Frequency in Hz	50
Fuse rating in A	10
Number of phases	1
Mains cable with plug	•
Length of supply lead in m	2,10
Replacing lamps	Service
Accessories included	
Grilling rack	1
Gourmet plate	1
Available display languages	

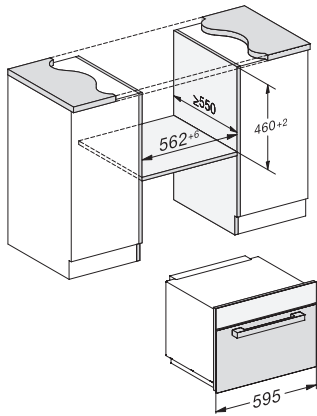
Available display languages via MultiLingua

bahasa malaysia, dansk, deutsch, english, español, français, hrvatski, italiano, magyar, nederlands, norsk, polski, portugês, русский, română, slovenčina, slovenščina, srpski, suomi, svenska, türkçe, українська, čeština, ελληνικά,

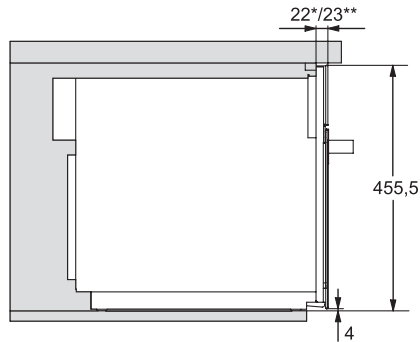
M 7244 TC

Built-in microwave oven

in a design that is the perfect complement with controls on the top.



M7140TC, M724x, installation drawings

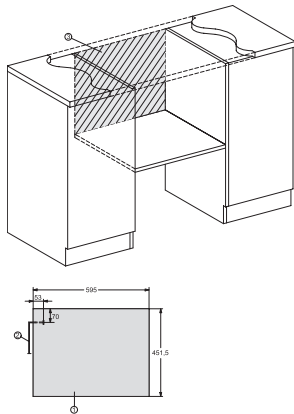


M7140TC, M724xTC, installation drawing



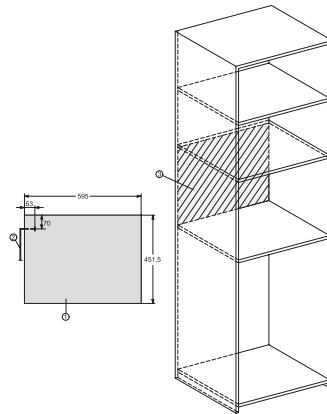
M7140TC, M724xTC, installation drawing

22 mm – glass, 23.3 mm – stainless steel



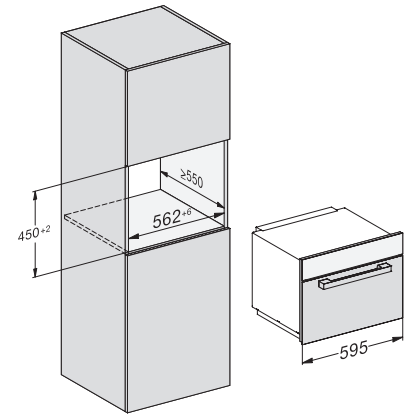
M7140TC, M724x, installation drawings

1) Front view, 2) Mains connection cable L=1,600 mm, 3) No connection in this area



M7140TC, M724x, installation drawings

1) Front view, 2) Mains connection cable L=1,600 mm, 3) No connection in this area



M7140TC, M724x, installation drawings