

DGC 7840X

Handleless compact combination steam oven

for steam cooking, baking, roasting with wireless food probe + menu cooking.



- Large touch display with proximity sensor – M Touch + MotionReact
- Perfect results – DualSteam technology
- Crispy outside, succulent inside – combination cooking
- Miele@home – network-enabled WiFi appliance + Mix & Match
- Easy cleaning – PerfectClean stainless steel oven compartment

EAN: 4002516137221 / Material number: 11103560 / Old Material Number: 23784062GB

| Construction type and design | |
|---|----------------|
| Combination steam oven | • |
| ArtLine | • |
| Handleless | • |
| Appliance Colour | Obsidian black |
| Convenience features | |
| Rapid heat-up | • |
| Pre-heating | • |
| External steam generation | • |
| Oxygen sensor | • |
| Individual humidity settings in combination cooking | • |
| Menu cooking without transfer of taste | • |
| Mix & Match | • |
| Automatic programmes with ability to make individual adjustments | • |
| Keeping warm | • |
| Crisp function | • |
| Operating modes | |
| Defrosting | • |
| Automatic programmes | • |
| Country-specific automatic programmes | • |
| Combination cooking | • |
| Combination cooking with Fan plus | • |
| Combination cooking with Conventional heat | • |
| Combination cooking with grill large | • |
| Steam cooking | • |
| Reheat | • |
| Roast with moisture | • |
| Grill operating modes | • |
| Grill | • |
| Economy grill | • |
| Fan plus | • |
| Intensive bake | • |
| Cake plus | • |
| Conventional heat | • |
| Top heat | • |
| Bottom heat | • |
| Fan grill | • |
| Eco hot air | • |
| Eco steam cooking | • |
| Plate warming | • |
| Special applications | • |
| User convenience | |
| Networking with Miele@home | • |
| Display | M Touch |
| MotionReact: light comes on when movement is detected | • |
| MotionReact: display comes on when movement is detected | • |
| MotionReact: audible signal is acknowledged when movement is detected | • |
| MotionReact: detection of cabinet fronts | • |

DGC 7840X

Handleless compact combination steam oven

for steam cooking, baking, roasting with wireless food probe + menu cooking.



EAN: 4002516137221 / Material number: 11103560 / Old Material Number: 23784062GB

| | |
|--|-----|
| SoftOpen | • |
| Touch2Open | • |
| MultiLingua | • |
| MyMiele | • |
| Help function | • |
| Motorised lift-up control panel with SoftClose | • |
| Quantity-independent cooking | • |
| Steam cooking on up to 3 levels at the same time | • |
| Automatic menu cooking | • |
| Steam reduction before end of programme | • |
| Polyphonic buzzers | • |
| Timer functions | • |
| Time of day display | • |
| Date display | • |
| Minute minder | • |
| Programmable start of cooking duration | • |
| Programmable end of cooking duration | • |
| Programmable cooking duration | • |
| Actual temperature display | • |
| Target temperature display | • |
| Buzzer when desired temperature is reached | • |
| Recommended temperature | • |
| User programmes | • |
| Individual settings | • |
| Efficiency and sustainability | |
| Power rating in off mode in W | 0,5 |
| Power rating in standby mode in W | 1,0 |
| Power rating in networked standby in W | 2,0 |
| Time until automatic switch to standby in min | 20 |
| Time until automatic switch to networked standby in min | 20 |
| Time until automatic switch to off mode in min | 20 |
| Cleaning convenience | |
| Stainless-steel oven compartment with linen structure and PerfectClean | • |
| Hinged grill element | • |
| External steam generator | • |
| Floor heater for condensate reduction | • |
| Maintenance programmes | • |
| Soak programme | • |
| Rinse programme | • |
| Oven compartment drying programme | • |
| Quick-release side racks | • |
| Removable stainless-steel side racks | • |
| Descaling | • |
| CleanGlass door | • |
| Steam technology and Water supply | |
| DualSteam | • |
| Fresh water container volume in l | 1,4 |
| Condensate container behind motorised lift-up control panel with SoftClose | • |
| Drain filter | • |

DGC 7840X

Handleless compact combination steam oven

for steam cooking, baking, roasting with wireless food probe + menu cooking.

EAN: 4002516137221 / Material number: 11103560 / Old Material Number: 23784062GB

| Safety | |
|---|------------------|
| Appliance cooling system and touch-cool front | • |
| Safety switch-off | • |
| System lock | • |
| Vapour cooling system | • |
| Sensor lock | • |
| Technical data | |
| XL oven compartment | • |
| Oven compartment volume in l | 48 |
| No. of shelf levels | 3 |
| Appliance dimensions (W x H x D) in mm | 595 x 456 x 569 |
| Numbered shelf levels | • |
| Door hinge | Bottom |
| Oven light | BrilliantLight |
| Oven mode temperatures min. in °C | 30 |
| Oven mode temperatures max. in °C | 225 |
| Steam-cooking mode temperatures min. in °C | 40 |
| Steam-cooking mode temperatures max. in °C | 100 |
| Niche width min. in mm | 560 |
| Niche width max. in mm | 568 |
| Niche height min. in mm | 450 |
| Niche height max. in mm | 452 |
| Niche depth in mm | 555 |
| Appliance width in mm | 595 |
| Appliance height in mm | 456 |
| Appliance depth in mm | 569 |
| Appliance dimensions (W x H x D) in mm | 595 x 456 x 569 |
| Weight in kg | 39,7 |
| Total rated load in kW | 3,40 |
| Voltage in V | 230 |
| Frequency in Hz | 50-60 |
| Number of phases | 1 |
| Fuse rating in A | 16 |
| Mains cable with plug | • |
| Length of supply lead in m | 2 |
| Replacing lamps | Customer Service |
| Accessories supplied | |
| Universal tray with PerfectClean | 1 |
| Baking and roasting rack with PerfectClean | 1 |
| FlexiClip runners with PerfectClean | 1 |
| Removable PerfectClean side runners (pair) | 1 |
| No. of perforated stainless-steel cooking container | 2 |
| No. of solid stainless-steel cooking containers | 1 |
| Descaling tablets | 2 |

DGC 7840X

Handleless compact combination steam oven

for steam cooking, baking, roasting with wireless food probe + menu cooking.



EAN: 4002516137221 / Material number: 11103560 / Old Material Number: 23784062GB

Available display languages

Available display languages via MultiLingua

bahasa malaysia, dansk,
deutsch, english, español,
français, hrvatski, italiano,
magyar, nederlands,
norsk, polski, portugês,
русский, română,
slovenčina, slovenščina,
srpski, suomi, svenska,
türkçe, українська, čeština,
ελληνικά, , , , ,

DGC 7840X

Handleless compact combination steam oven

for steam cooking, baking, roasting with wireless food probe + menu cooking.



ESW7x20, DGC7x4xHCPro, DGC7x4xHCXPro installation drawings



ESW7x10, DGC7x4xHCPro, DGC7x4xHCXPro, installation drawings



DG7x4x, DGM7x4x, DGC7x4x, DGC7x4xX, DGC7x4xHCPro, DGC7x4xHCXPro installation drawings

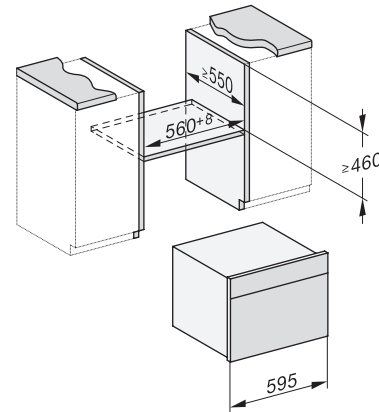


DGC7x4x, DGC7x4xX, DGC7x4xHCPro, DGC7x4xHCXPro installation drawings

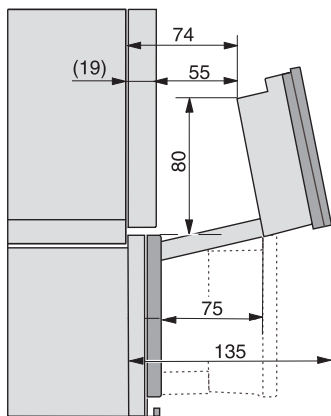


DGC7x40, installation drawings

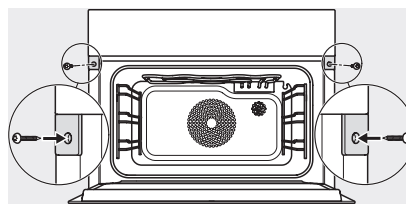
1) Front view, 2) Mains connection cable, L=2.000 mm, 3) Ventilation cut min. 180 cm², 4) No connection in this area



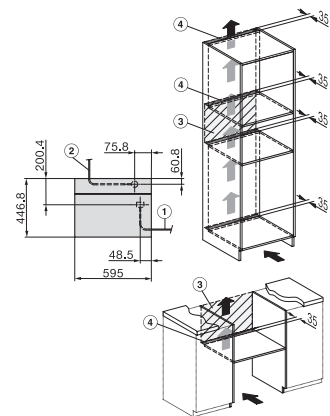
DGC7x4x, DGC7x4xX installation drawings



DGC7x4x, DGC7x4x-55, DGC7xxx, DGC7x4xHCPro, DGC7x4xHCXPro installation drawings



DGC7x4x, DGC7x4xX, DGC7x4xHCPro, DGC7x4xHCXPro installation drawings



DGC7x4x, DGC7440X, DGC7840X – installation drawing – GB, AU

1) Front view, 2) Mains connection cable, L=2.000 mm, 3) ventilation cut-out min. 180 cm², 4) no connection in this area