

DG 2840

Built-in steam oven

for healthy cooking with automatic programmes.



- 7-segment display with sensor controls – EasySensor
- Perfect results – DualSteam technology
- Perfect results guaranteed every time – Automatic programmes
- Easy preparation of a complete meal – menu cooking
- Plenty of room – 40 l stainless steel oven compartment

EAN: 4002516156635 / Material number: 11094400 / Old Material Number: 23284040GB

<b>Construction type</b>	
Appliance Colour	Stainless steel/Clean Steel
<b>Construction type and design</b>	
Built-in steam oven	•
PureLine	•
<b>Convenience features</b>	
External steam generation	•
Menu cooking without transfer of taste	•
Automatic programmes with ability to make individual adjustments	•
<b>Operating modes</b>	
Defrosting	•
Automatic programmes	•
Steam cooking	•
Reheat	•
Eco steam cooking	•
<b>User convenience</b>	
Display	EasySensor
SoftOpen	•
SoftClose	•
Quantity-independent cooking	•
Steam cooking on up to 3 levels at the same time	•
Menu cooking	•
Steam reduction before end of programme	•
Programmable cooking duration	•
Actual temperature display	•
Individual settings	•
<b>Cleaning and care</b>	
Stainless steel/CleanSteel finish	•
Stainless-steel oven compartment with linen structure	•
External steam generator	•
Floor heater for condensate reduction	•
Quick-release side racks	•
Removable stainless-steel side racks	•
Descaling	•
CleanGlass door	•
<b>Steam techn./water supply</b>	
DualSteam	•
Removal of fresh water container with Push2release	•
Fresh water container volume in l	1,5
<b>Safety</b>	
Appliance cooling system and touch-cool front	•
Safety switch-off	•
Vapour cooling system	•
<b>Technical data</b>	
L – Oven compartment	•
Oven compartment volume in l	40
No. of shelf levels	4
Door hinge	Bottom
Steam-cooking mode temperatures min. in °C	40

DG 2840

Built-in steam oven

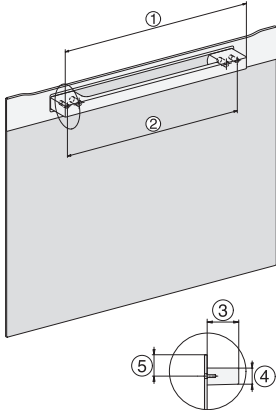
for healthy cooking with automatic programmes.



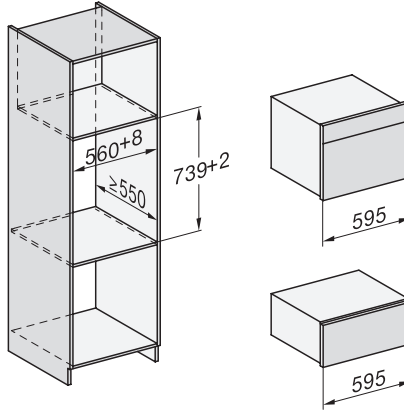
EAN: 4002516156635 / Material number: 11094400 / Old Material Number: 23284040GB

Steam-cooking mode temperatures max. in °C	100
Niche width min. in mm	560
Niche width max. in mm	568
Niche height min. in mm	450
Niche height max. in mm	452
Niche depth in mm	550
Appliance dimensions (W x H x D) in mm	595 x 455 x 569
Appliance width in mm	595
Appliance height in mm	455
Appliance depth in mm	569
Weight in kg	26,8
Total rated load in kW	3,60
Voltage in V	230
Frequency in Hz	50-60
Fuse rating in A	16
Number of phases	1
Mains cable with plug	•
Length of supply lead in m	2
<b>Accessories included</b>	
Removable side runners (pair)	1
No. of perforated stainless-steel cooking container	2
Solid stainless steel cooking containers	1
Solid stainless steel cooking containers DGG 50 40	1
Wire rack	1
Drip tray DGG 100 40	1
Descaling tablets	2

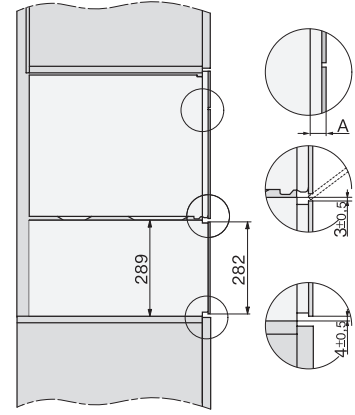
DG 2840  
Built-in steam oven  
for healthy cooking with automatic programmes.



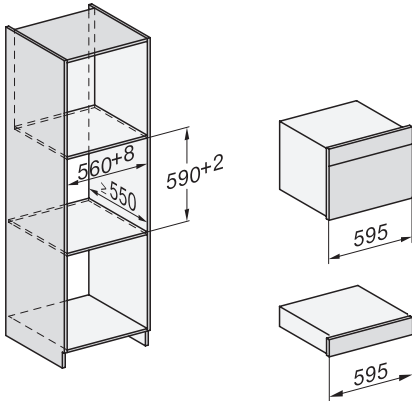
H7000 handle, installation drawing  
1) 400 mm, 2) 360 mm, 3) 47 mm, 4) 24 mm, 5) 32.5 mm



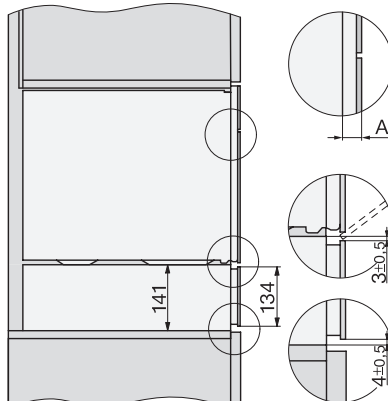
Installation DG, DGM, DGC XL, ESW7x20 installation drawings



side view, DG, DGM, ESW7x20 installation drawings

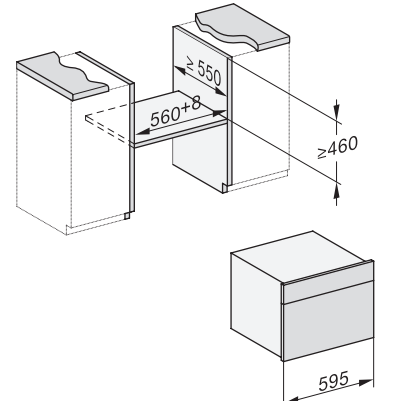


Installation\_DG\_DGM\_DGC\_XL\_ESW7x10\_EVS7010, installation drawings

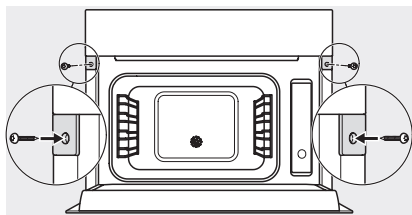


ESW7x10, EVS7010, DG7x4x, DGM7x4x installation drawings

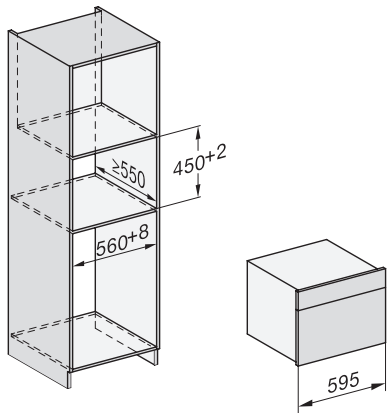
A) 22 mm glass, 23,3 mm stainless steel



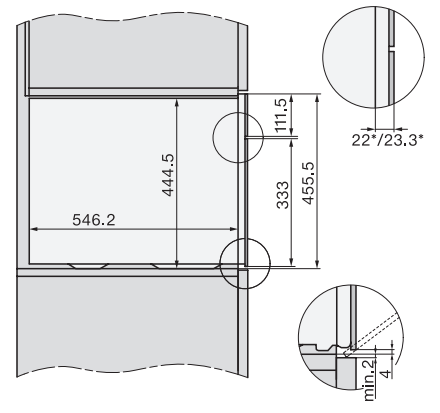
built-in DG DGM DGC XL build-under, installation drawing



Screw joint DG DGM, installation drawing

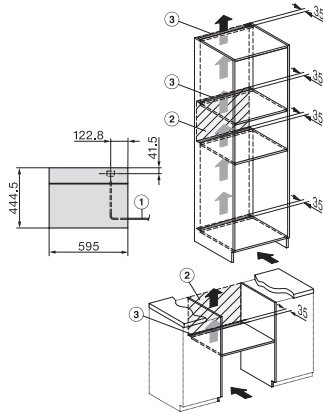


DG DGM, installation drawing



side view DG DGM, installation drawing, GB, AU  
22 mm glass, 23,3 mm stainless steel

DG 2840  
Built-in steam oven  
for healthy cooking with automatic programmes.



installation DG, installation drawing, GB, AU

1) Mains connection cable, L=2000 mm, 2) No connection in this area, 3) Ventilation cutout min. 180 cm<sup>2</sup>