

H 7260 BP

Oven

seamless design with clear text display and pyrolytic cleaning.



- Clear text display with sensor controls – DirectSensor S
- Minimal cleaning effort – Pyrolytic cleaning
- Achieve perfect results with ease – automatic programmes
- Lots of room and flexibility – 76 l oven capacity on 5 levels
- Easy handling – FlexiClip runners

EAN: 4002516156802 / Material number: 11093490 / Old Material Number: 22726045GB

<b>Construction type</b>	
Appliance Colour	Stainless steel/Clean Steel
<b>Construction type and design</b>	
Built-in oven	•
PureLine	•
<b>Convenience features</b>	
Rapid heat-up	•
<b>Operating modes</b>	
Defrosting	•
Automatic programmes	•
Auto roast	•
Eco hot air	•
Grill operating modes	•
Grill	•
Fan plus	•
Intensive bake	•
Conventional heat	•
Bottom heat	•
Fan grill	•
<b>User convenience</b>	
Display	DirectSensor S
SoftOpen	•
SoftClose	•
MultiLingua	•
Time of day display	•
Minute minder	•
Programmable start of cooking duration	•
Programmable end of cooking duration	•
Programmable cooking duration	•
Actual temperature display	•
Target temperature display	•
Buzzer when desired temperature is reached	•
Recommended temperature	•
Individual settings	•
<b>Efficiency and sustainability</b>	
Energy efficiency class (A+++ – D)	A+
<b>Cleaning and care</b>	
Stainless steel/CleanSteel finish	•
Pyrolytic self-cleaning	•
Catalyser	•
Hinged grill element	•
CleanGlass door	•
<b>Safety</b>	
Appliance cooling system and touch-cool front	•
Safety switch-off	•
System lock	•
Door lock during pyrolytic cleaning	•
<b>Technical data</b>	
Oven compartment volume in l	76
No. of shelf levels	5

H 7260 BP

Oven

seamless design with clear text display and pyrolytic cleaning.



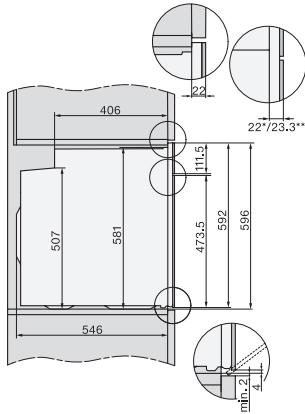
EAN: 4002516156802 / Material number: 11093490 / Old Material Number: 22726045GB

Number of shelf levels oven compartment 1	5
Number of shelf levels oven compartment 2	5
Numbered shelf levels	•
Oven light	1 halogen spot
Temperatures in °C	30–300
Temperatures min. in °C	30
Temperatures max. in °C	300
Niche width min. in mm	560
Niche width max. in mm	568
Niche height min. in mm	590
Niche height max. in mm	595
Niche depth in mm	550
Appliance width in mm	595
Appliance height in mm	596
Appliance depth in mm	569
Weight in kg	47,0
Total rated load in kW	3,60
Voltage in V	220-240
Frequency in Hz	50
Fuse rating in A	16
Number of phases	1
Length of supply lead in m	1,50
Replacing lamps	Customer
<b>Accessories included</b>	
Baking tray with PerfectClean	1
Universal tray with PerfectClean	1
Baking and roasting rack with PerfectClean	1
FlexiClip runners with PerfectClean	1
Removable PerfectClean side runners (pair)	1
Grilling and roasting insert with PerfectClean	1
<b>Available display languages</b>	
Available display languages via MultiLingua	bahasa malaysia, dansk, deutsch, english, español, français, hrvatski, italiano, magyar, nederlands, norsk, polski, portugês, русский, română, slovenčina, slovenščina, srpski, suomi, svenska, türkçe, українська, čeština, ελληνικά,

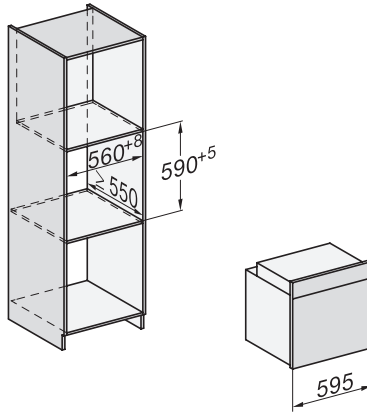
## H 7260 BP

### Oven

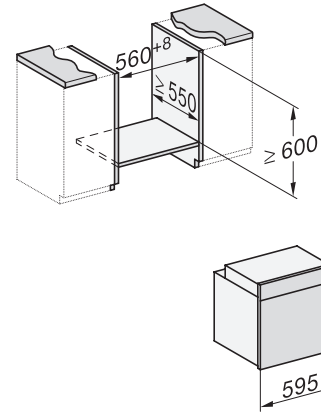
seamless design with clear text display and pyrolytic cleaning.



side view H7000 XL, installation drawings, GB, AU  
22 mm – glass, 23.3 mm – metal

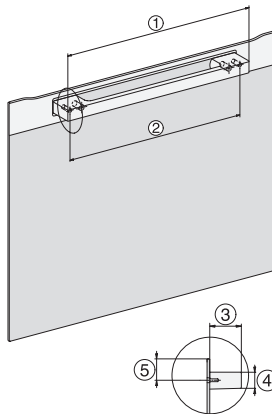


built-in H7000 XL, installation drawing



H226x-1B/BP/E/EP/I/IP, H2x6xB/BP, H7x6xB/BP/BPX, installation drawings

If the oven is to be installed under a hob, follow the instructions for installing the hob and the height of the hob.

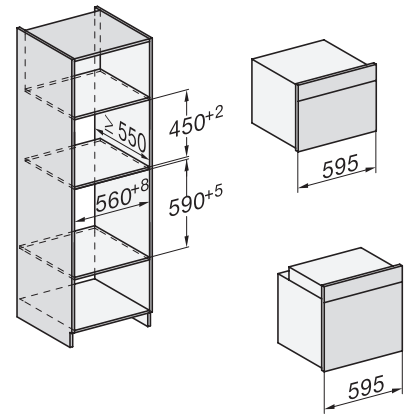


H2x6x-1B/BP/E/EP/I/IP, H2850BP, H7x6xB/BP/BPX, H2x6xB, installation drawings, GB, AUS

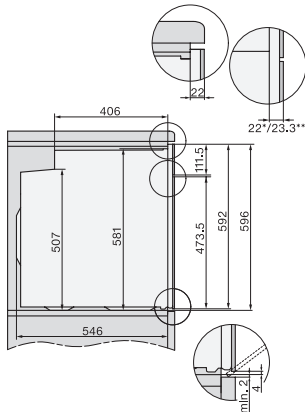
1) Mains connection cable, L=2000 mm, 2) No connection in this area, 3) Lüftungsausschnitt min. 150 cm<sup>2</sup>

DG2840, DG7x40, DGC7x4x, DG7x6x, DGC7x6x, DGD7635, DGM7x4x, DO7, H28B/BP, H7x4xB/BM/BP, H7x6xB/BP, installation drawing

1) 400 mm, 2) 360 mm, 3) 47 mm, 4) 24 mm, 5) 32.5 mm

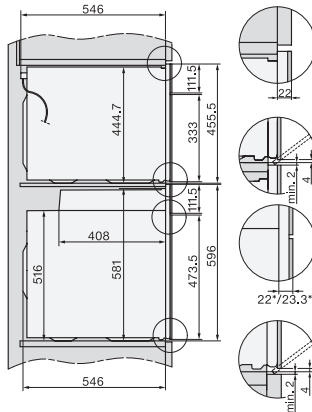


H226x-1B/BP/E/EP/I/IP, H2760B/BP, H28x0B/BP, H7x40BM/BMX, H7x6xB/BP/BPX, installation drawings



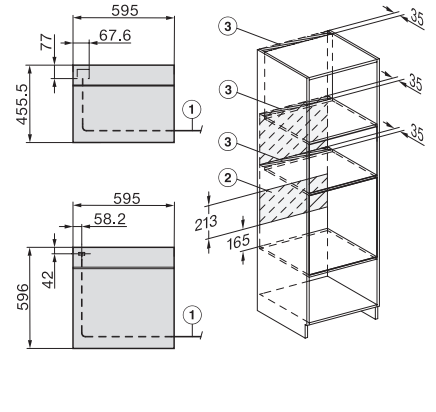
side view H7000 XL build-under, installation drawing, GB, AU

22 mm – glass, 23.3 mm – metal



H2xxx-1 B/BP/E/I/IP, H7xxx B/BP/BM/BMX, installation drawings

22 mm – glass, 23.3 mm – metal



H2xxx-1 B/BP/E/I/IP, H7xxx B/BP/BM/BMX, installation drawings

22 mm – glass, 23.3 mm – metal