

H 7164 BP

Oven

attractive stainless steel design with networking and pyrolytic cleaning.



- Clear text display with sensor controls – DirectSensor S
- Minimal cleaning effort – Pyrolytic cleaning
- Especially light dough and nicely browned crusts – Moisture plus
- Network-enabled WiFi appliance – Miele@home
- Achieve perfect results with ease – automatic programmes

EAN: 4002516156796 / Material number: 11093450 / Old Material Number: 22716445GB

<b>Construction type and design</b>	
Built-in oven	•
Colour	Stainless steel/Clean Steel
ContourLine	•
<b>Convenience features</b>	
Rapid heat-up	•
<b>Operating modes</b>	
Defrosting	•
Automatic programmes	•
Auto roast	•
Eco hot air	•
Grill	•
Fan plus	•
Intensive bake	•
Moisture plus	•
Moisture plus with Fan plus	•
Conventional heat	•
Bottom heat	•
Fan grill	•
<b>User convenience</b>	
Networking with Miele@home	•
Display	DirectSensor S
SoftOpen	•
SoftClose	•
MultiLingua	•
Programmable timed steam injection	•
Time of day display	•
Clock synchronisation	•
Minute minder	•
Programmable start of cooking duration	•
Programmable end of cooking duration	•
Programmable cooking duration	•
Actual temperature display	•
Target temperature display	•
Buzzer when desired temperature is reached	•
Recommended temperature	•
Individual settings	•
<b>Efficiency and sustainability</b>	
Energy efficiency class (A+++ – D)	A+
Power rating in off mode in W	0,5
Power rating in standby mode in W	1,0
Power rating in networked standby in W	2,0
Time until automatic switch to standby in min	20
Time until automatic switch to networked standby in min	20
Time until automatic switch to off mode in min	20
<b>Cleaning and care</b>	
Stainless steel/CleanSteel finish	•
Pyrolytic self-cleaning	•
Hinged grill element	•
CleanGlass door	•

H 7164 BP

Oven

attractive stainless steel design with networking and pyrolytic cleaning.



EAN: 4002516156796 / Material number: 11093450 / Old Material Number: 22716445GB

<b>Steam techn./water supply</b>	
Suction tube for drawing in water	•
<b>Safety</b>	
Appliance cooling system and touch-cool front	•
Safety switch-off	•
System lock	•
Door lock during pyrolytic cleaning	•
<b>Technical data</b>	
Oven compartment volume in l	76
No. of shelf levels	5
Number of shelf levels oven compartment 1	5
Number of shelf levels oven compartment 2	5
Numbered shelf levels	•
Oven light	1 halogen spot
Temperatures in °C	30–300
Temperatures min. in °C	30
Temperatures max. in °C	300
Niche width min. in mm	560
Niche width max. in mm	568
Niche height min. in mm	590
Niche height max. in mm	595
Niche depth in mm	550
Appliance width in mm	595
Appliance height in mm	596
Appliance depth in mm	569
Weight in kg	47,0
Total rated load in kW	3,60
Voltage in V	220-240
Frequency in Hz	50
Fuse rating in A	16
Number of phases	1
Length of supply lead in m	1,50
Replacing lamps	Customer
<b>Accessories included</b>	
Baking tray with PerfectClean HBB 71	1
Universal tray with PerfectClean HUBB 71	1
Baking and roasting rack with PerfectClean	1
FlexiClip runners HFC 70-C (pair)	1
Removable PerfectClean side runners (pair)	1
Grilling and roasting insert with PerfectClean	1
Descaling tablets	2
<b>Available display languages</b>	
Available display languages via MultiLingua	bahasa malaysia, dansk, deutsch, english, español, français, hrvatski, italiano, magyar, nederland, norsk, polski, português, русский, română, slovenčina, slovenščina, srpski, suomi, svenska, türkçe, українська, čeština, ελληνικά,

**Miele**

H 7164 BP

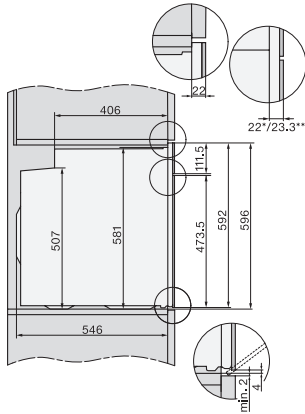
Oven

attractive stainless steel design with networking and pyrolytic cleaning.

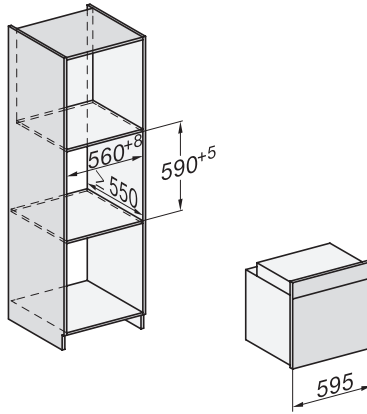
## H 7164 BP

### Oven

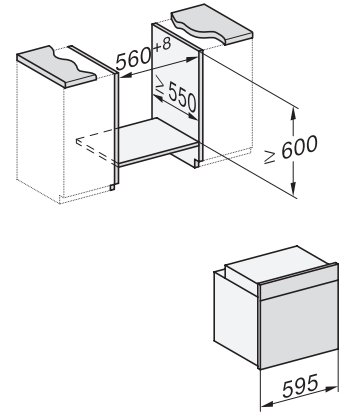
attractive stainless steel design with networking and pyrolytic cleaning.



side view H7000 XL, installation drawings, GB, AU  
22 mm – glass, 23.3 mm – metal

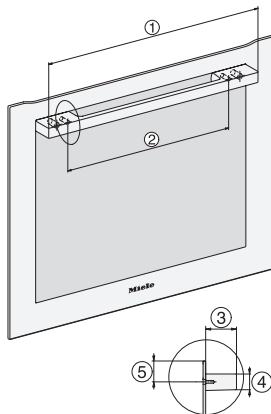


built-in H7000 XL, installation drawing



Installation H7000 XL underframe, installation drawings

If the oven is to be installed under a hob, follow the instructions for installing the hob and the height of the hob.

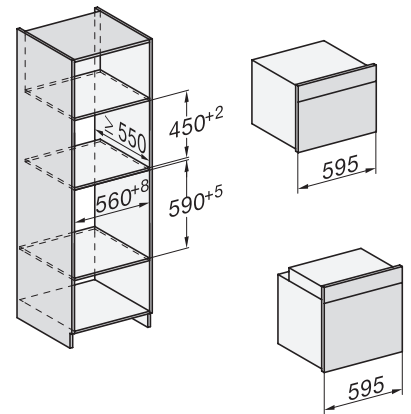


H2x6x-1B/BP/E/EP//IP, H2850BP, H7x6xB/BP/BPX, H2x6xB, installation drawings, GB, AUS

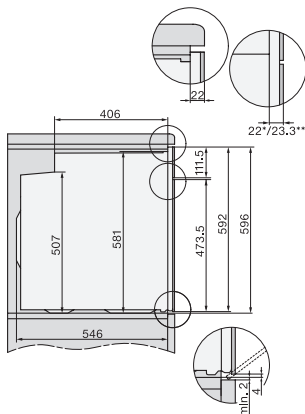
1) Mains connection cable, L=2000 mm, 2) No connection in this area, 3) Lüftungsausschnitt min. 150 cm<sup>2</sup>

DG2740, DG7140, DGM7340, H2760B/BP, H7140BM, H7x64B/BP, H7x60B/BP installation drawings

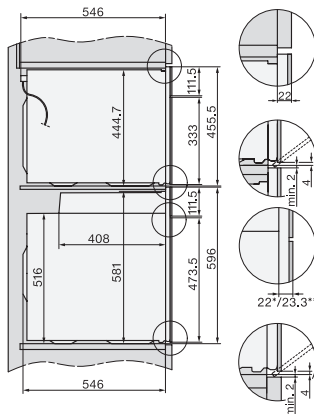
1) 474 mm, 2) 360 mm, 3) 43 mm, 4) 22,5 mm, 5) 53.75 mm



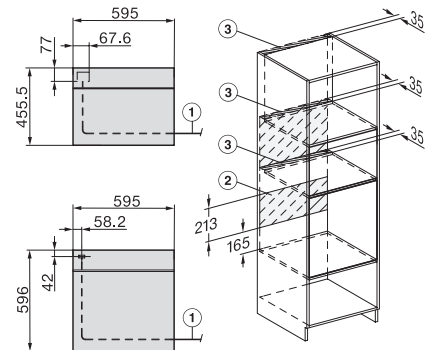
Installation H7000 BM XL, installation drawings



side view H7000 XL build-under, installation drawing, GB, AU  
22 mm – glass, 23.3 mm – metal



Side view Kombi BM XL, installation drawings  
22 mm – glass, 23.3 mm – metal



Installation Kombi BM XL, installation drawings  
22 mm – glass, 23.3 mm – metal