

## EVS 7010

Handleless built-in vacuum drawer, 14 cm high  
for professional vacuum packing of food.



- Remains fresh for longer – storage and portioning of food
- Intense taste – marinating food
- Preparation of food for sous-vide cooking
- Easy handling – Touch controls and fully telescopic runners
- Opening the drawer couldn't be easier – Push2open

EAN: 4002516131618 / Material number: 11093430 / Old Material Number: 30701031GB

<b>Construction type and design</b>	
Built-in vacuum sealing drawer	•
VitroLine	•
ArtLine	•
Handleless	•
<b>Operating modes</b>	
Vacuum sealing	•
<b>Convenience features</b>	
Marinating food	•
<b>Convenience features</b>	
Food can be stored for longer	•
Preparing food for sous-vide cooking	•
<b>Range of applications</b>	
Vacuum sealing food	•
Vacuum sealing liquids	•
Vacuum sealing containers	•
Marinating food	•
Dividing food into portions	•
Resealing original packaging	•
Sealing jars	•
<b>Design</b>	
Colour	Graphite grey
<b>User convenience</b>	
Push2open mechanism	•
Fully telescopic runners for easy loading and unloading of the warming drawer	•
Control panel with sensor controls	•
Sealing duration settings	1 - 3
Control panel with symbols	•
Stop function	•
Vacuumping strength min. in steps	1
Max. vacuum settings	3
LED vacuum setting indicator	•
Vacuumping strength min. for external containers in steps	1
Max. vacuum settings for external containers	3
LED vacuum setting indicator	•
LED sealing duration indicator	•
<b>Vacuum-sealing technology</b>	
Stainless-steel vacuum chamber	•
<b>Cleaning and care</b>	
Flush control panel	•
Note regarding moisture removal from the vacuum pump	•
Replaceable sealing bar	•
<b>Safety</b>	
Safety switch-off	•
<b>Technical data</b>	
Appliance width in mm	595
Appliance height in mm	141

EVS 7010

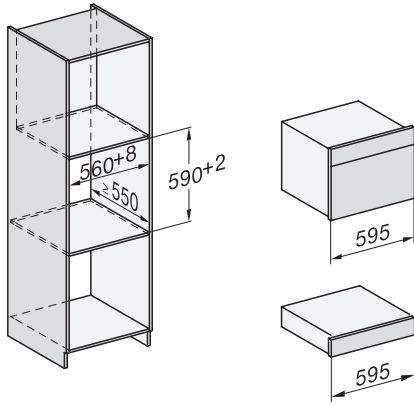
Handleless built-in vacuum drawer, 14 cm high  
for professional vacuum packing of food.

EAN: 4002516131618 / Material number: 11093430 / Old Material Number: 30701031GB

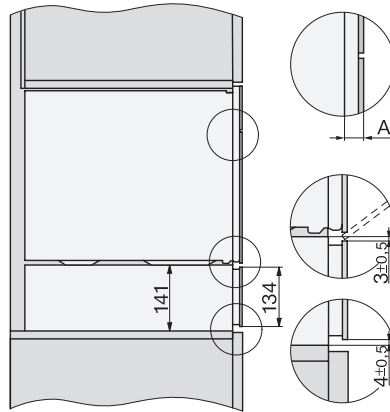
Appliance depth in mm	570
Useable interior height in mm	80
Total rated load in kW	0,32
Voltage in V	230
Frequency in Hz	50-60
Fuse rating in A	10
Number of phases	1
Mains cable with plug	•
Length of supply lead in m	1,8
<b>User convenience</b>	
Stainless steel vacuum sealing chamber capacity in l	8,0
Minimum bag size in mm	250
Maximum bag size in mm	350
<b>Vacuum-sealing technology</b>	
Pump capacity in m <sup>3</sup> /h	4
<b>Accessories included</b>	
Adapter for vacuum-sealing container	1
Vacuum sealing bag support	1
Vacuum sealing bags	•
Number of vacuum sealing bags 180 x 280 mm	50
Number of vacuum sealing bags 240 x 350 mm	50

## EVS 7010

Handleless built-in vacuum drawer, 14 cm high for professional vacuum packing of food.

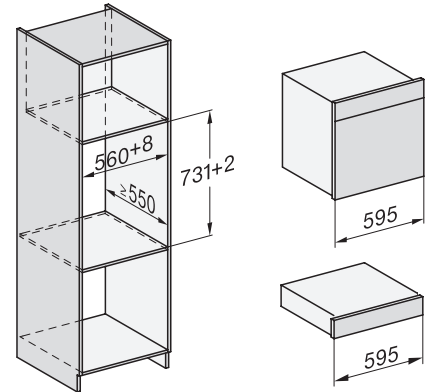


Installation\_DG\_DGM\_DGC\_XL\_ESW7x10\_EVS7010, installation drawings

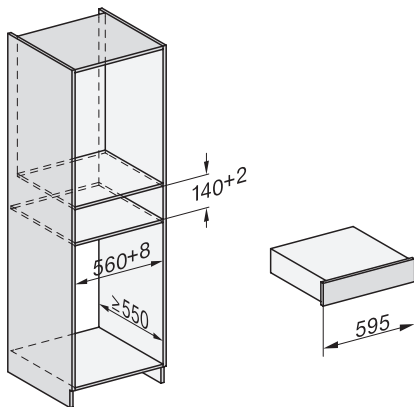


Side view\_DG\_DGM\_ESW7x10\_EVS7010 installation drawings

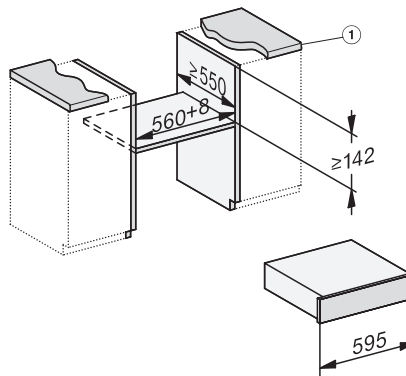
A) 22 mm glass, 23,3 mm stainless steel



Installation\_DGC\_XXL\_ESW7x10\_EVS7010 installation drawings

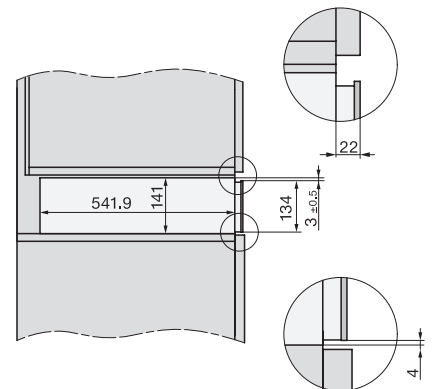


built-in ESW7x10 EVS7010, installation drawing

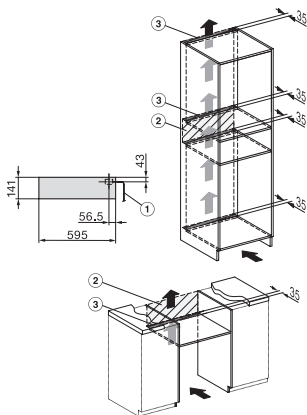


built-in EVS 7010 build-under, installation drawing

1) Countertop overhang ≤ 29mm



side view ESW7x10 EVS7010, installation drawing, GB, AU



installation EVS7010 installation drawing, GB, AU

1) Mains connection cable, L=2000 mm, 2) No connection in this area, 3) Ventilation cutout min. 180 cm<sup>2</sup>