

ESW 7010

14 cm high gourmet warming drawer without handle

for preheating crockery, keeping food warm and low temperature cooking.



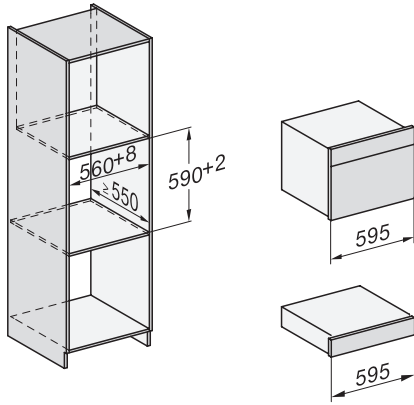
- The ultimate in enjoyment – low temperature cooking
- Always at the right temperature – 4 functions
- Convenient and easy – Touch control
- Opening the drawer couldn't be easier – Push2open
- Better safe than sorry – timer function with automatic switch-off

EAN: 4002516169680 / Material number: 11093250 / Old Material Number: 30701010GB

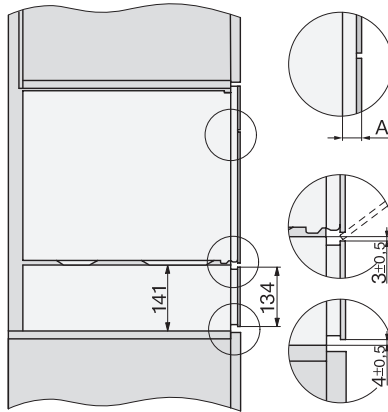
<b>Construction type and design</b>	
Gourmet warming drawer	•
VitroLine	•
ArtLine	•
Handleless	•
Colour	Brilliant white
<b>Operating modes</b>	
Cup warming	•
Plate warming	•
Keeping food warm	•
Low temperature cooking	•
<b>User convenience</b>	
Miele@home	•
Capacity	6 place settings
Push2open mechanism	•
Fully telescopic runners for easy loading and unloading of the warming drawer	•
Control panel with sensor controls	•
Control panel with symbols	•
Stop programming	•
Timer function	•
Sabbath programme	•
<b>Efficiency and sustainability</b>	
Power rating in off mode in W	0,5
Power rating in standby mode in W	1,0
Power rating in networked standby in W	2,0
Time until automatic switch to off mode in min	20
Time until automatic switch to standby in min	20
Time until automatic switch to networked standby in min	20
<b>Cleaning and care</b>	
Flush control panel	•
<b>Safety</b>	
Cool front	•
Anti-slip mat	•
Safety switch-off	•
<b>Technical data</b>	
Temperatures min. in °C	40
Temperatures max. in °C	85
Appliance width in mm	595
Appliance height in mm	141
Appliance depth in mm	570
Useable interior height in mm	80
Total rated load in kW	0,70
Voltage in V	230
Frequency in Hz	50-60
Fuse rating in A	10
Number of phases	1
Mains cable with plug	•
Length of supply lead in m	2,0
<b>Accessories included</b>	
Anti-slip mat	1

## ESW 7010

14 cm high gourmet warming drawer without handle  
for preheating crockery, keeping food warm and low temperature cooking.

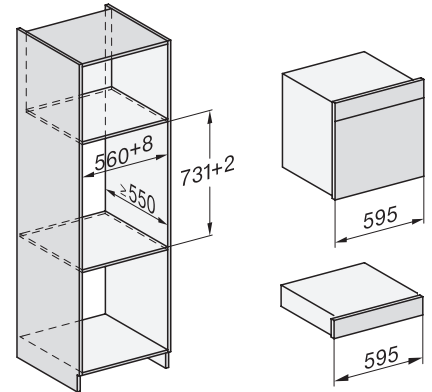


ESW7x10, DGC7x4xHCPro, DGC7x4xHCXPro, installation drawings

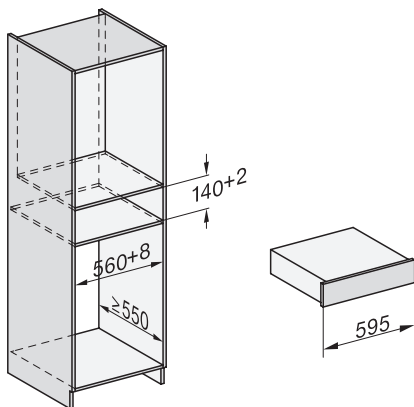


ESW7x10, EVS7010, DG7x4x, DGM7x4x installation drawings

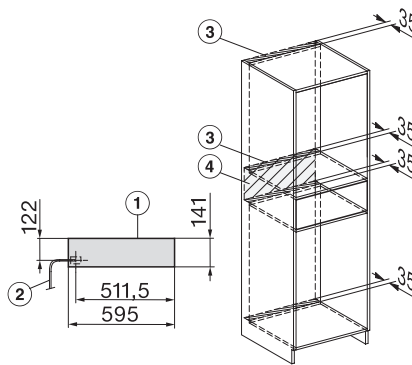
A) 22 mm glass, 23,3 mm stainless steel



ESW7x10, EVS7010, DGC7x6xHCPro, DGC7x6xHCXPro installation drawings

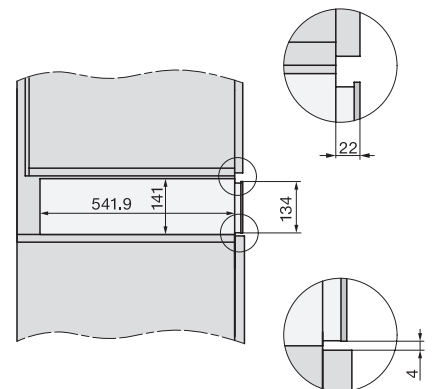


built-in ESW7x10 EVS7010, installation drawing

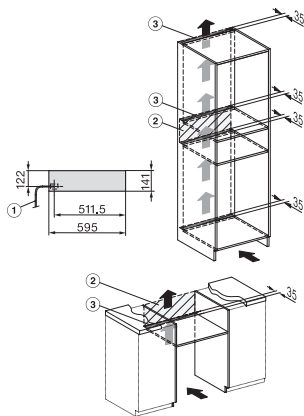


Installation ESW7x10, installation drawing, AU, GB

1) Front view, 2) Mains connection cable, L=2.000 mm, 3) Ventilation cut min. 180 cm<sup>2</sup>, 4) No connection in this area



side view ESW7x10 EVS7010, installation drawing, GB, AU



ESW7010, ESW7110 - installation drawing - Installation - GB, AU

1) Front view, 2) Mains connection cable, L=2.000 mm, 3) ventilation cut-out min. 180 cm<sup>2</sup>, 4) no connection in this area