

H 2265-1 BP Active

Oven

with a timer, XL oven compartment & pyrolytic cleaning.



- 7-segment display with retractable rotary controls – EasyControl
- Minimal cleaning effort – Pyrolytic cleaning
- Lots of room and flexibility – 76 l oven capacity on 5 levels
- Protects against burns – touch-cool fronts
- Fewer fingerprints and easy to clean – CleanSteel

EAN: 4002516156505 / Material number: 11092990 / Old Material Number: 22226595GB

Construction type and design	
Built-in oven	•
Appliance Colour	Stainless steel/Clean Steel
Retractable rotary controls	•
Convenience features	
Rapid heat-up	•
Operating modes	
Eco hot air	•
Grill operating modes	•
Grill	•
Fan plus	•
Intensive bake	•
Conventional heat	•
Bottom heat	•
Fan grill	•
User convenience	
Display	EasyControl
Individual settings	•
Timer functions	•
Time of day display	•
Minute minder	•
Programmable end of cooking duration	•
Programmable cooking duration	•
Actual temperature display	•
Target temperature display	•
Buzzer when desired temperature is reached	•
Recommended temperature	•
Efficiency and sustainability	
Energy efficiency class (A+++ – D)	A+
Cleaning convenience	
Stainless steel/CleanSteel finish	•
Pyrolytic self-cleaning	•
Hinged grill element	•
CleanGlass door	•
Safety	
Appliance cooling system and touch-cool front	•
Safety switch-off	•
System lock	•
Door lock during pyrolytic cleaning	•
Technical data	
Oven compartment volume in l	76
No. of shelf levels	5
Number of shelf levels oven compartment 1	5
Number of shelf levels oven compartment 2	5
Numbered shelf levels	•
Oven light	1 halogen spot
Temperatures min. in °C	30
Temperatures max. in °C	280
Niche width min. in mm	560
Niche width max. in mm	568

H 2265-1 BP Active

Oven

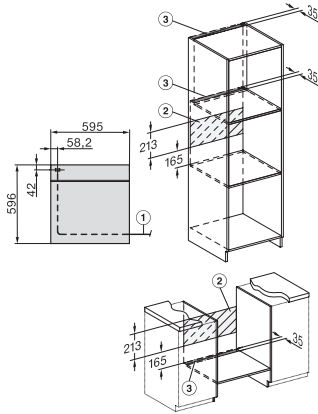
with a timer, XL oven compartment & pyrolytic cleaning.



EAN: 4002516156505 / Material number: 11092990 / Old Material Number: 22226595GB

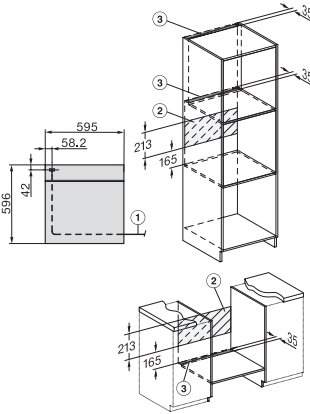
Niche height min. in mm	590
Niche height max. in mm	595
Niche depth in mm	550
Appliance width in mm	595
Appliance height in mm	596
Electronic temperature regulation in °C	30–280
Appliance depth in mm	569
Weight in kg	47,0
Total rated load in kW	3,60
Voltage in V	220-240
Frequency in Hz	50
Number of phases	1
Fuse rating in A	16
Length of supply lead in m	1,50
Replacing lamps	Customer
Accessories supplied	
Universal tray with PerfectClean	1
Baking and roasting rack without PerfectClean	1
Removable side runners (pair)	1
Anti-splash insert with PerfectClean	1

H 2265-1 BP Active Oven with a timer, XL oven compartment & pyrolytic cleaning.



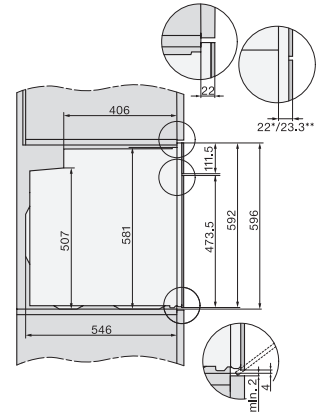
H226x-1B/BP/E/EP/IP, H2760B/BP, H28x0B/BP, H7x6xB/BP/BPX installation drawings

1) Netzanschlussleitung, L=1500 mm, 2) In diesem Bereich kein Anschluss, 3) Lüftungsausschnitt min. 150 cm²



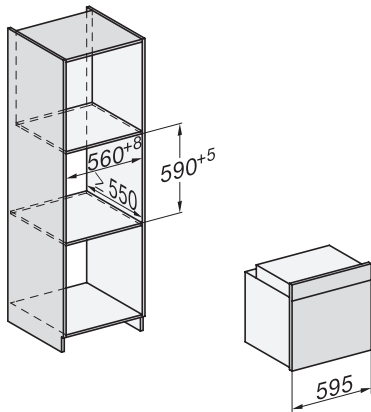
H226x-1B/BP/E/EP/IP, H2760B/BP, H28x0B/BP, H7x6xB/BP/BPX, installation drawings, GB, AUS

1) Netzanschlussleitung, L=1500 mm, 2) In diesem Bereich kein Anschluss, 3) Lüftungsausschnitt min. 150 cm²

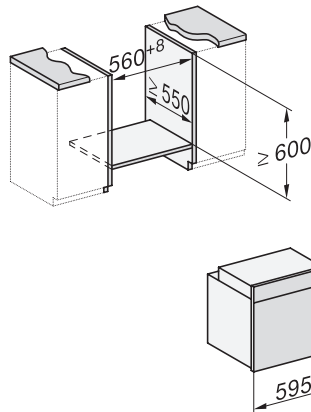


H2760B/BP, H28x0B/BP, H7x6xB/BP/BPX, installation drawings

22 mm – glass, 23.3 mm – metal



H226x-1B/BP/E/EP/IP, H2760B/BP, H28x0B/BP, H7x6xB/BP/BPX, installation drawings

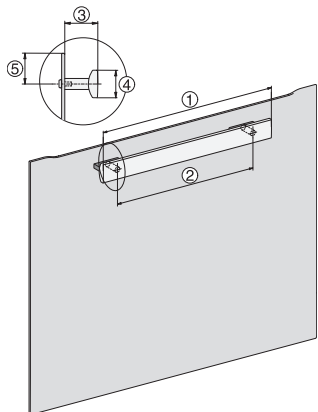


H226x-1B/BP/E/EP/IP, H2x6xB/BP, H7x6xB/BP/BPX, installation drawings

If the oven is to be installed under a hob, follow the instructions for installing the hob and the height of the hob.

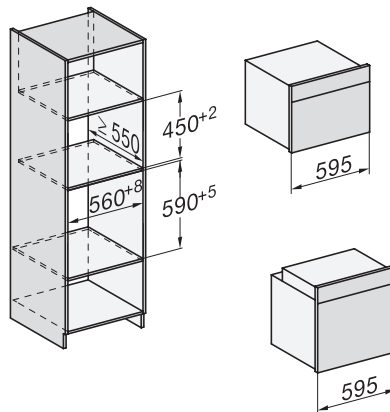
H2x6x-1B/BP/E/EP/IP, H2850BP, H7x6xB/BP/BPX, H2x6xB, installation drawings, GB, AUS

1) Mains connection cable, L=2000 mm, 2) No connection in this area, 3) Lüftungsausschnitt min. 150 cm²

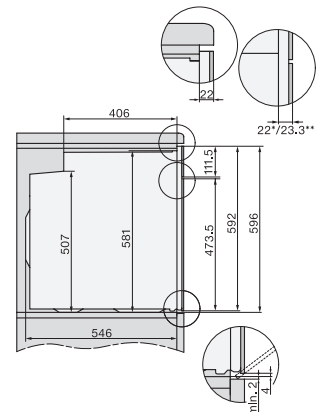


H226x-1B/BP/E/EP/IP, installation drawings

1) 400 mm, 2) 360 mm, 3) 42 mm, 4) 27 mm, 5) 32.5 mm



H226x-1B/BP/E/EP/IP, H2760B/BP, H28x0B/BP, H7x40BM/BMX, H7x6xB/BP/BPX, installation drawings



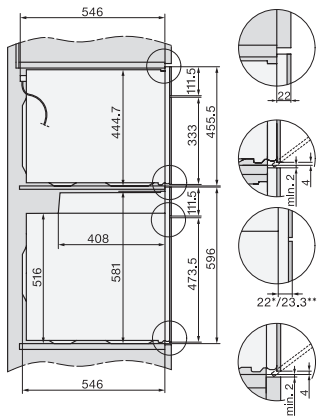
H2760B/BP, H28x0B/BP, H7x6xB/BP/BPX, installation drawings

22 mm – glass, 23.3 mm – metal

H 2265-1 BP Active

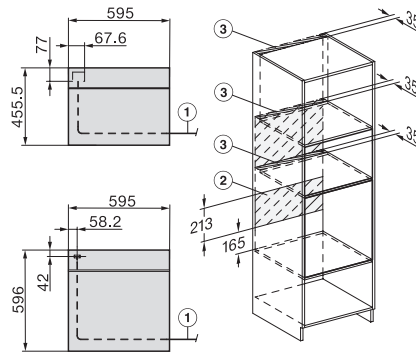
Oven

with a timer, XL oven compartment & pyrolytic cleaning.



H2xxx-1 B/BP/E/I/IP, H7xxx B/BP/BM/BMX, installation drawings

22 mm – glass, 23,3 mm – metal



H2xxx-1 B/BP/E/I/IP, H7xxx B/BP/BM/BMX, installation drawings

22 mm – glass, 23,3 mm – metal