

KM 6520 FR

Electric hob with onset controls

with 4 cooking zones for maximum convenience at an attractive entry level price.



- Easy operation – EasySelect
- Attractive design – 574 mm wide with all-round frame
- Particularly versatile – 4 cooking zones incl. 1 Vario zone
- Convenient – Auto heat-up for every cooking zone
- Safe – three level residual heat indicator for every cooking zone

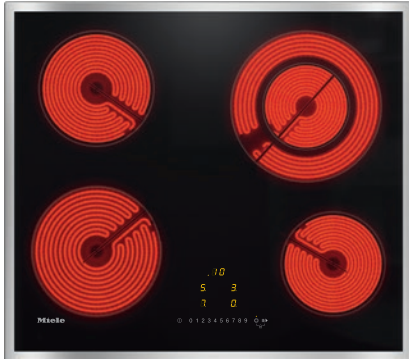
EAN: 4002515995068 / Material number: 10889620 / Old Material Number: 26652010GB

Heating type	
Heating type	Electric
Construction type	
Independent of cooker	•
Design	
Elegant glass ceramic surface	•
Ceramic surface colour	Black
Stainless steel frame	•
Surface-mounted installation	•
Cooking zone details	
Number of cooking zones	4
1st cooking zone/cooking area	
Position	front left
Type	Single-circuit ring
Size in mm	Ø 180
Max. rating in W	1800
2nd cooking zone/cooking area	
Position	rear left
Type	Single-circuit ring
Size in mm	Ø 160
Max. rating in W	1500
3rd cooking zone/cooking area	
Position	rear right
Type	Dual-circuit ring
Size in mm	Ø 120 / Ø 210
Max. rating in W	750/2200
4th cooking zone/cooking area	
Position	front right
Type	Single-circuit ring
Size in mm	Ø 145
Max. rating in W	1200
User convenience	
Display colour	Yellow
Auto heat-up	•
Stop & Go function	•
Recall function	•
Safety switch-off	•
Individual setting options (e.g. buzzers)	•
Minute minder	•
Efficiency and sustainability	
Residual heat utilisation	•
Cleaning and care	
Easy to clean ceramic glass	•
Safety	
Safety switch-off	•
Lock function	•
System lock	•
Overheating protection	•
Residual heat indicator	•

KM 6520 FR

Electric hob with onset controls

with 4 cooking zones for maximum convenience at an attractive entry level price.



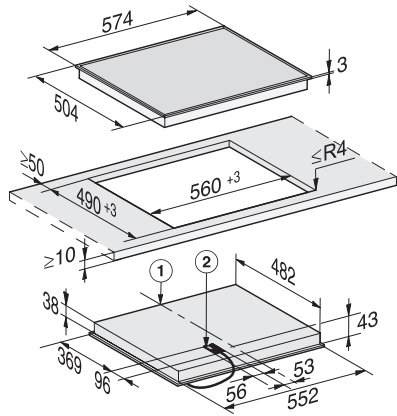
EAN: 4002515995068 / Material number: 10889620 / Old Material Number: 26652010GB

Technical data	
Dimensions (H x W x D) in mm	43 x 574 x 504
Dimensions in mm (width)	574
Dimensions in mm (height)	43
Dimensions in mm (depth)	504
Cutout dimensions in mm (width) with surface-mounted installation	560
Cutout dimensions in mm (depth) with surface-mounted installation	490
Casing height incl. connection box in mm	43
Weight in kg	8
Total rated load in kW	6,70
Length of supply lead in m	1,4
Voltage in V	230
Frequency in Hz	50-60
Accessories included	
Razor-blade scraper	•
Mains cable	Yes

KM 6520 FR

Electric hob with onset controls

with 4 cooking zones for maximum convenience at an attractive entry level price.



KM 6520 FR, KM 6538 FR (Installation drawing)

1) Front, 2) Mains Connection box. Built-in height 43 mm,
mains connection cable L = 1440 mm