

KM 6565 FR

Electric hob with onset controls

in maximum width for the ultimate in cooking and user convenience.



- Intuitive quick selection via number sequences – Smart Select
- Attractive design – 942 mm wide with all-round frame
- Particularly versatile – 4 cooking zones incl. 1 extended/2 Vario zones
- Unbeatably fast – 1 ExtraSpeed cooking zone
- Communication with the cooker hood – automatic Con@ctivity function

EAN: 4002515997628 / Material number: 10882070 / Old Material Number: 26656500D

Heating type	
Heating type	Electric
Construction type	
Independent of cooker	•
Design	
Elegant glass ceramic surface	•
Ceramic surface colour	Black
Stainless steel frame	•
Surface-mounted installation	•
Cooking zone details	
Number of cooking zones	4
1st cooking zone/cooking area	
Position	front left
Type	Single-circuit ring
Size in mm	Ø 145
Max. rating in W	1200
2nd cooking zone/cooking area	
Position	rear left
Type	Dual-circuit ring
Size in mm	Ø 120 / Ø 210
Max. rating in W	750/2200
3rd cooking zone/cooking area	
Position	rear centre
Type	ExtraSpeed
Size in mm	Ø 145 / Ø 210 / Ø 270
Max. rating in W	1050/2050/3200
4th cooking zone/cooking area	
Position	rear right
Type	Casserole area
Size in mm	Ø 170 / 170x290
Max. rating in W	1500/2600
User convenience	
Miele@home	•
Operation via sensor controls	Smart Select
Automatic function Con@ctivity 3.0	•
Extended cooking zone	•
Display colour	Yellow
Auto heat-up	•
Keeping warm	•
Stop & Go function	•
Recall function	•
Safety switch-off	•
Individual setting options (e.g. buzzers)	•
Wipe protection	•
Minute minder	•
Efficiency and sustainability	
Residual heat utilisation	•
Power rating in off mode in W	0,5
Power rating in standby mode in W	1,0
Power rating in networked standby in W	2,0

KM 6565 FR

Electric hob with onset controls

in maximum width for the ultimate in cooking and user convenience.



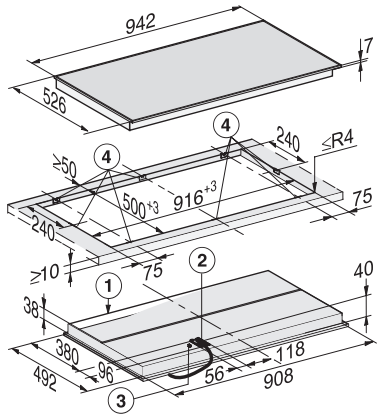
EAN: 4002515997628 / Material number: 10882070 / Old Material Number: 26656500D

Time until automatic switch to off mode in min	20
Time until automatic switch to standby in min	20
Time until automatic switch to networked standby in min	20
Cleaning and care	
Easy to clean ceramic glass	•
Safety	
Safety switch-off	•
Lock function	•
System lock	•
Overheating protection	•
Residual heat indicator	•
Technical data	
Dimensions (H x W x D) in mm	50 x 942 x 526
Dimensions in mm (width)	942
Dimensions in mm (height)	50
Dimensions in mm (depth)	526
Cutout dimensions in mm (width) with surface-mounted installation	916
Cutout dimensions in mm (depth) with surface-mounted installation	500
Casing height incl. connection box in mm	43
Weight in kg	13
Total rated load in kW	9,20
Length of supply lead in m	1,4
Voltage in V	230
Frequency in Hz	50-60
Accessories included	
Razor-blade scraper	•
Mains cable	Yes

KM 6565 FR

Electric hob with onset controls

in maximum width for the ultimate in cooking and user convenience.



KM 6565 FR (Installation drawing)

1) Front, 2) Mains connection box. Built-in height = 40 mm, mains connection cable L = 1440 mm , 3) WLAN stick connection point, 4) Clamp springs