

DFK-BV 90

Flat ducting bend

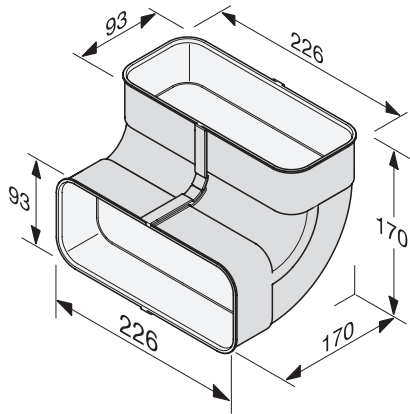
For effective and customised air guidance.

EAN: 4002515963821 / Material number: 10811410 / Old Material Number: 28996391D



- For hygienic venting in extraction and recirculation mode
- Integrated air-guide profiles for optimum airflow properties
- National building regulations must be complied with
- White plastic, flame resistant
- Vertical 90° bend, 170 mm in depth and height
- Vertical 90° bend, 170 mm in depth and height

DFK-BV 90
Flat ducting bend
For effective and customised air guidance.



DFK-BV90, Angle adapter, installation drawing