

DA 2808

Ceiling extractor

with energy-efficient LED lighting and light-touch switches for easy use.



- Elegant design – harmonious in the kitchen environment
- Unique user convenience – Con@ctivity
- Powerful – 725 m<sup>3</sup>/h in Booster level
- Energy-efficient and quiet – powerful ECO motor
- Efficient filtration- 10-ply stainless-steel grease filter

EAN: 4002515937112 / Material number: 10751500 / Old Material Number: 28280855D

<b>Construction type</b>	
Ceiling extractor	•
<b>Operating modes</b>	
Type of air guide	Can be retrofitted
Recirculation conversion kit (order separately)	DUU 2900
Active charcoal filter (order separately)	DKF 20-P
<b>Design</b>	
Colour	Stainless steel
Edge extraction	•
<b>User convenience</b>	
Miele@home	•
Automatic function Con@ctivity	•
Electronic controls	•
Power levels (number without Booster level)	3
Miele@mobile app	•
Programmable Booster level switch-off	•
Run-on time 5/15 min.	•
Grease filter saturation indicator	•
Grease filter saturation indicator programmable	•
Active charcoal filter saturation indicator programmable	•
Easy-to-clean canopy interior – CleanCover	•
<b>Efficiency and sustainability</b>	
Annual energy consumption in kWh/year	27,6
Energy efficiency class (A+++ – D)	A+
ECO motor	•
Annual energy consumption in kWh/year	27,6
PowerManagement system	•
Annual energy consumption in kWh/year	27,6
Fluid dynamic efficiency class	A
Lighting efficiency class	A
Grease filtering efficiency class	B
<b>Filter system</b>	
Number of dishwasher-safe stainless steel grease filters (10-ply)	2
<b>Lighting</b>	
LED	•
Number x W	4 x 3 W
Light intensity in Lx	720 lx
Colour temperature in K	3500 Kelvin
Dimmer function	•
<b>Fan</b>	
Dual-action fan	•
DC motor	•
<b>Exhaust air</b>	
Air throughput in Level 1 (m <sup>3</sup> /h) according to EN 61591	200
Air throughput in Level 2 (m <sup>3</sup> /h) according to EN 61591	310
Air throughput in Level 3 (m <sup>3</sup> /h) according to EN 61591	450
Air throughput in Booster level (m <sup>3</sup> /h) according to EN 61591	725
Sound power in Level 1 (dB(A) re 1 pW) according to EN 60704-3	35,0

DA 2808

Ceiling extractor

with energy-efficient LED lighting and light-touch switches for easy use.



EAN: 4002515937112 / Material number: 10751500 / Old Material Number: 28280855D

Sound power in Level 2 (dB(A) re 1 pW) according to EN 60704-3	44,0
Sound power in Level 3 (dB(A) re 1 pW) according to EN 60704-3	53,0
Sound power in Booster level (dB(A) re 1 pW) acc. to EN 60704-3	65,0
Sound pressure in Level 1 (dB(A) re 20 µPa) according to EN 60704-2-13	20,0
Sound pressure in Level 2 (dB(A) re 20 µPa) according to EN 60704-2-13	30,0
Sound pressure in Level 3 (dB(A) re 20 µPa) according to EN 60704-2-13	38,0
Sound pressure in Booster level (dB(A) re 20 µPa) acc. to EN 60704-2-13	50,0
<b>Recirculation</b>	
Air throughput in Level 1 (m <sup>3</sup> /h) according to EN 61591	115
Air throughput in Level 2 (m <sup>3</sup> /h) according to EN 61591	215
Air throughput in Level 3 (m <sup>3</sup> /h) according to EN 61591	335
Air throughput in Booster level 1 (m <sup>3</sup> /h) according to EN 61591	535
Sound power in Level 1 (dB(A) re 1 pW) according to EN 60704-3	43,0
Sound power in Level 2 (dB(A) re 1 pW) according to EN 60704-3	53,0
Sound power in Level 3 (dB(A) re 1 pW) according to EN 60704-3	62,0
Sound power in Booster level 1 (dB(A) re 1 pW) acc. to EN 60704-3	72,0
Sound pressure in Level 1 (dB(A) re 20 µPa) according to EN 60704-2-13	28,0
Sound pressure in Level 2 (dB(A) re 20 µPa) according to EN 60704-2-13	39,0
Sound pressure in Level 3 (dB(A) re 20 µPa) according to EN 60704-2-13	47,0
Sound pressure in Booster level 1 (dB(A) re 20 µPa) acc. to EN 60704-2-13	57,0
<b>Safety</b>	
Safety switch-off	•
<b>Technical data</b>	
Overall height for vented and external in in. (mm)	339
Canopy width in mm	880
Overall height for extraction mode and external mode cooker hoods in mm	339
Canopy height in mm	342
Overall height for recirculation in in. (mm)	339
Canopy depth in mm	500
Overall height for recirculation mode cooker hoods in mm	339
Minimum height above electric hobs in mm	450
Net weight in kg	17,0
Length of supply lead in m	1,5
Standard plug fitted	•
Minimum safety distance above gas hobs (max. 12.6 kW total power, burner ≤ 4.5 kW) in mm	650
Total rated load in kW	0,11

DA 2808

Ceiling extractor

with energy-efficient LED lighting and light-touch switches for easy use.



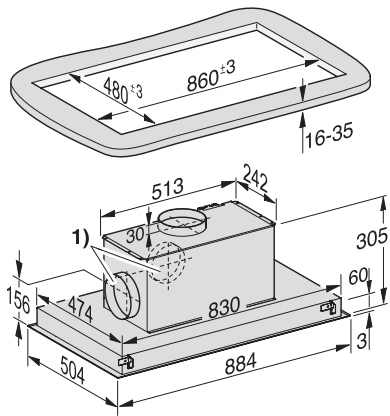
EAN: 4002515937112 / Material number: 10751500 / Old Material Number: 28280855D

Voltage in V	230
Fuse rating in A	10
Number of phases	1
Frequency in Hz	50
<b>Installation notes</b>	
Extraction ducting connection at top	•
Extraction ducting connection on side	•
Extraction ducting connection at top, rear, and side	•
Diameter of exhaust duct in mm	150
Combination with WiFi-enabled Miele hob	required
<b>Accessories included</b>	
Non-return flap	•
<b>Optional accessories</b>	
Active charcoal filter	Ja

DA 2808

Ceiling extractor

with energy-efficient LED lighting and light-touch switches for easy use.



DA 2808 Stainless steel (factual image)

1) Vent connection alternatively to rear