

F 2671 Vi

MasterCool freezer

For high-end design and technology on a large scale.



- Push2open for convenient door-opening assistance
- Light floods the interior thanks to LED elements – BrilliantLight
- Ice and cooled water dispensers for maximum convenience
- Communication with appliances couldn't be easier – WiFiConn@ct
- Convenient control thanks to colour touch display MasterSensor

EAN: 4002515928820 / Material number: 10746200 / Old Material Number: 37267101AUS

| | |
|--|----------------|
| Appliance category | |
| Freezer | • |
| Construction type | |
| Built-in appliance | • |
| Integrated appliance | • |
| Door hinge | Left |
| Side-by-side enabled | • |
| Design | |
| Lighting | BrilliantLight |
| User convenience | |
| Ice/Water dispenser | • |
| Networking with Miele@home | • |
| NoFrost | • |
| Push2open | • |
| FullAccess | • |
| EasyClean | • |
| MaxLoad hinge | • |
| Controls | |
| Operating concept | MasterSensor |
| Independent temperature regulation of fridge and freezer zones | No |
| SuperFreeze | • |
| No. of temperature zones | 1 |
| Sabbath mode | • |
| Eco mode | • |
| Fridge/Fridge section | |
| Door baskets – small | 1 |
| Door baskets – large | 3 |
| Freezer/Freezer section | |
| No. of shelves/surfaces | 2 |
| Number of freezer baskets | 2 |
| Safety | |
| Lock function | • |
| Acoustic door alarm | • |
| Acoustic temperature alarm | • |
| Optical door alarm | • |
| Optical temperature alarm | • |
| Technical data | |
| Niche depth in mm | 629 |
| Appliance width in mm | 603 |
| Appliance height in mm | 2125 |
| Appliance depth in mm | 608 |
| Weight in kg | 146,7 |
| Door hinge technology | Fixed door |
| Max. door front weight – refrigerator, in kg | 68 |
| Current consumption (mA) | 0 |
| Voltage in V | 220-240 |
| Fuse rating in A | 10 |
| Number of phases | 1 |
| Frequency in Hz | 50-60 |

F 2671 Vi
MasterCool freezer

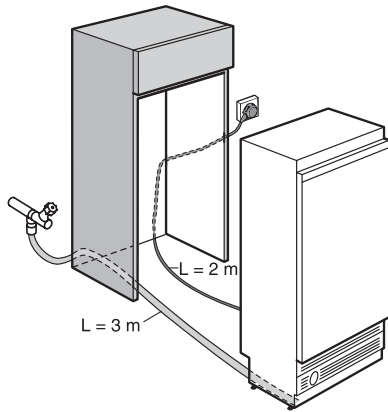
For high-end design and technology on a large scale.



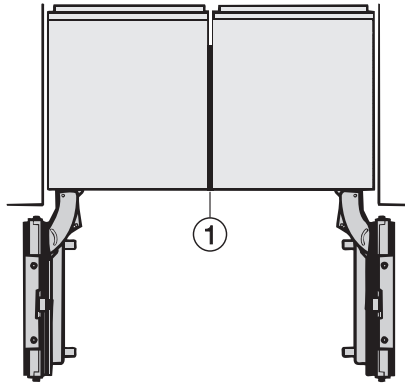
EAN: 4002515928820 / Material number: 10746200 / Old Material Number: 37267101AUS

| | |
|---|--|
| Length of supply lead in m | 3,0 |
| Replacing lamps | Customer Service |
| Available display languages | |
| Available display languages through MultiLingua | bahasa malaysia, dansk, deutsch, eesti, english, english (AU), english (CA), english (GB), english (US), español, français, français (CA), français (FR), hrvatski, italiano, latviesu, lietuviu, magyar, nederlands, norsk, polski, português, русский, română, slovenčina, slovenščina, srpski, suomi, svenska, türkçe, українська, čeština, ελληνικά, |

F 2671 Vi
MasterCool freezer
For high-end design and technology on a large scale.

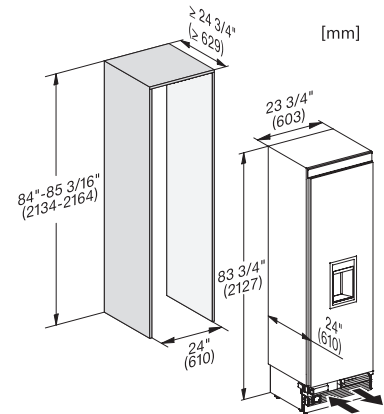


laying of cabling and pipework, MasterCool (Sketch)

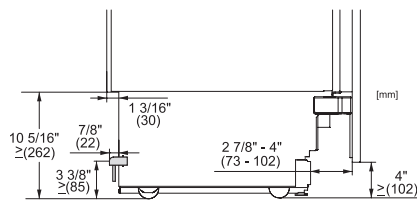


Side-by-side, MasterCool, without partition wall, with heating mat (Sketch) (with footnote)

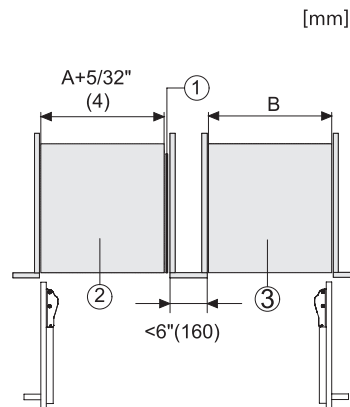
1) Heating mat KSK 2001 (EU, AUS, CN) or KSK 2002 (US, CA, MX, BR)



F2672Vi, F2662Vi, F2671Vi, F2661Vi, installation, MasterCool (installation drawings)

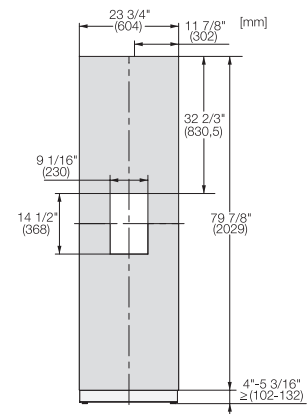


Sideview, MasterCool, Sketch



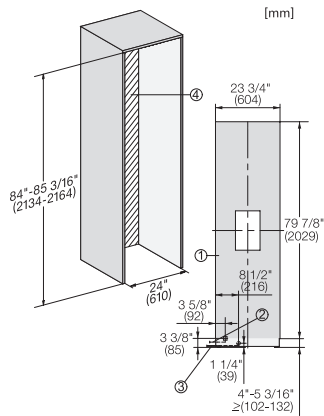
Side-by-Side, MasterCool, footnote, installation drawings

1. KSK 2001/2002, 2. Device A, 3. Device B, A = niche device A, B = niche device B



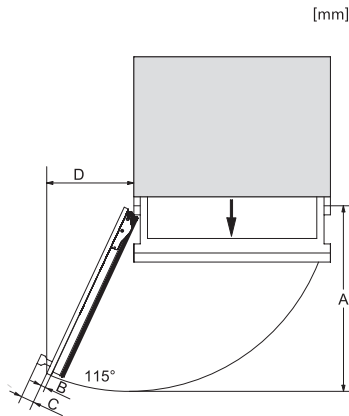
KFP2445ed/cs, KFP2444ed/cs, Front panel, Front dimensions, MasterCool, installation drawings

F 2671 Vi
MasterCool freezer
For high-end design and technology on a large scale.



F2672Vi, F2672SF, F2662Vi, F2671Vi, F2671SF, F2661Vi, MasterCool, installation, installation drawings

1. View from the front, 2. Mains Connection cable, L = 3000 mm (118 inch), 3. Water inlet position, L = 2000mm (not for KON USA), 4. No water/ELT connections permitted in this area



Opening angle 90°/115°, right side stop, MasterCool (Sketch) with footnote

A) Appliance door , F 2411 Vi: 525 mm (20 2/3 inch);, F 2412 Vi, F 2412 SF, F 2413Vi, F 2472 Vi, F 2472 SF: 525 mm (20 2/3 inch);, F 2671 Vi: 677 mm (26 2/3 inch);, F 2672 Vi, F 2672 SF: 677 mm (26 2/3 inch);, F 2812 SF, F 2812 Vi, F 2813 Vi: 829 mm (32 2/3 inch);, F 2912 Vi, F 2912 SF: 982 mm (38 2/3 inch);, B) Furniture front (max. 38 mm) (1 1/2 inch), C) Door handle, D) Distance from the door to the wall (without furniture front and door handle): , F 2411 Vi: 237 mm (9 1/3 inch);, F 2412 Vi, F 2412 SF, F 2472 Vi, F 2472 SF: 237 mm (9 1/3 inch);, F 2672 Vi, F 2672 SF: 296 mm (11 2/3 inch);, F 2811 Vi: 363 mm (14 1/3 inch);, F 2812 SF, F 2812 Vi: 363 mm (14 1/3 inch);, F 2912 Vi, F 2912 SF: 428 mm (16 7/8 inch);, E) ONLY valid for SF versions: A + 25 mm (1 inch)