

KFN 15943 D edt/cs
 Freestanding fridge-freezer
 75 cm wide for plenty of storage space.



- Optimum and maintenance-free LED lighting in compartment
- High efficiency and top-class freshness
- No icing up of food and no need to defrost thanks to Frost free
- Convenient and effortless opening – EasyOpen

EAN: 4002515887547 / Material number: 10721500 / Old Material Number: 38159430EU1

Appliance category	
Fridge-freezer	•
Construction type	
Freestanding appliance	•
Door hinge	right
Convertible door hinging	•
Design	
Casing colour	Stainless steel look
Front colour	Stainless steel/CleanSteel
Refrigeration section lighting	LED
User convenience	
ComfortClean	•
DynaCool	•
NoFrost	•
DuplexCool	•
VarioRoom	•
SoftClose	•
Concealed door opener	EasyOpen lever handle
Controls	
Operating concept	TouchControl
Fridge compartment can be switched off	Yes
Independent temperature regulation of fridge and freezer zones	Yes
Automatic SuperCool	•
SuperFreeze	•
No. of temperature zones	2
Sabbath mode	•
Fridge/Fridge section	
No. of shelves	4
Chrome-plated metal bottle rack	•
of which on castors	2
Number of inner door racks for tinned food	4
Half-width door shelves	4
Door rack for bottles	1
Door shelves	5
Freezer/Freezer section	
Number of freezer drawers	3
Efficiency and sustainability	
Energy efficiency class (A–G)	E
Annual energy consumption in kWh	254,41
Energy consumption in 24 h in kWh	0,69
Safety	
Lock function	•
Acoustic door alarm	•
Acoustic temperature alarm	•
Optical door alarm	•
Optical temperature alarm	•
Power cut indication for freezer section	•
Technical data	
Appliance width in mm	750

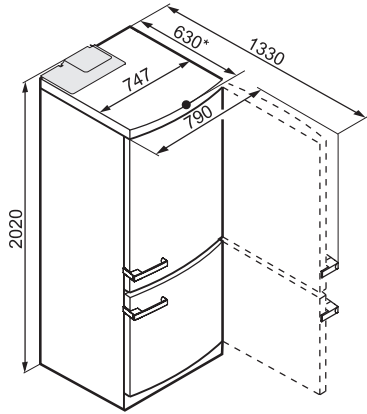
KFN 15943 D edt/cs
 Freestanding fridge-freezer
 75 cm wide for plenty of storage space.



EAN: 4002515887547 / Material number: 10721500 / Old Material Number: 38159430EU1

Appliance height in mm	2020
Appliance depth in mm	630
Weight in kg	111,0
Climate class	SN-T
Refrigerator compartment in l	332
4* freezer compartment in l	123
Total usable capacity in l	455
Storage time in case of fault in h	12
Freezer capacity in kg/24 h	12,00
Noise class (A-D)	C
Sound power in dB(A) re 1 pW	41
Current consumption (mA)	1500
Voltage in V	220-240
Fuse rating in A	10
Number of phases	1
Frequency in Hz	50
Length of supply lead in m	2,4
Replacing lamps	Customer Service
Accessories supplied	
Butter dish	•
Egg tray	•
Ice packs	•
Ice cube tray	•

KFN 15943 D edt/cs
Freestanding fridge-freezer
75 cm wide for plenty of storage space.



KFN14947SDEed/cs-1, KFN14943SDed/cs-1, KFN14943SDEed/cs-1, KFN16947Ded/cs, KFN15943Ded/cs (*footnote)

*To ensure that energy consumption as stated is achieved, machines should be used together with the enclosed spacer brackets. This increases the total depth of the unit by approx. 3.5 cm. , Machines are still fully functional when operated without these brackets but have a slightly higher energy consumption.,