

CS 7632 FL  
SmartLine element  
with induction Tepan Yaki



- Intuitive quick selection via number sequences – Smart Select
- Elegant design – for flush or raised installation
- Seamlessly integrates with any SmartLine element
- Particularly versatile – 2 separately controlled teppan areas
- Short heating-up times – thanks to induction cooking

EAN: 4002515836293 / Material number: 10684420 / Old Material Number: 27763250GB

<b>Heating type</b>	
Heating type	Induction
<b>Construction type</b>	
SmartLine	•
<b>Design</b>	
Elegant glass ceramic surface	•
Flush	•
Ceramic surface colour	Black
Surface-mounted installation	•
<b>1st cooking zone/cooking area</b>	
Position	Centred
Type	Tepan area with induction
<b>User convenience</b>	
Operation via sensor controls	Smart Select
Display colour	Yellow
Keeping warm	•
Stop & Go function	•
Recall function	•
Safety switch-off	•
Individual setting options (e.g. buzzers)	•
Wipe protection	•
Minute minder	•
<b>Cleaning and care</b>	
Easy to clean ceramic glass	•
<b>Safety</b>	
Safety switch-off	•
Lock function	•
System lock	•
Overheating protection	•
Residual heat indicator	•
<b>Technical data</b>	
Dimensions (H x W x D) in mm	60 x 378 x 520
Dimensions in mm (width)	378
Dimensions in mm (height)	60
Dimensions in mm (depth)	520
Cut-out dimensions (W x D) with flush-fit installation in mm	358/382 x 500/524
Casing height incl. connection box in mm	60
Internal cutout dimensions in mm (width) with flush installation	358
Internal cutout dimensions in mm (depth) with flush installation	500
Weight in kg	8
External cutout dimensions in mm (width) with flush installation	382
External cutout dimensions in mm (depth) with flush installation	524
Total rated load in kW	2,80
Length of supply lead in m	1,5
Voltage in V	220-240
Frequency in Hz	50-60

CS 7632 FL  
SmartLine element  
with induction Tepan Yaki



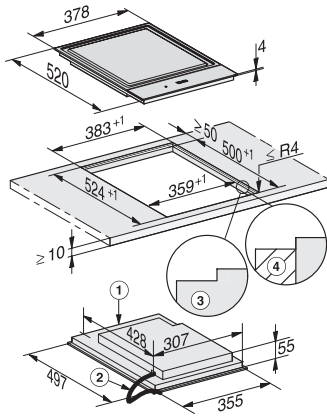
EAN: 4002515836293 / Material number: 10684420 / Old Material Number: 27763250GB

#### Accessories included

Mains cable

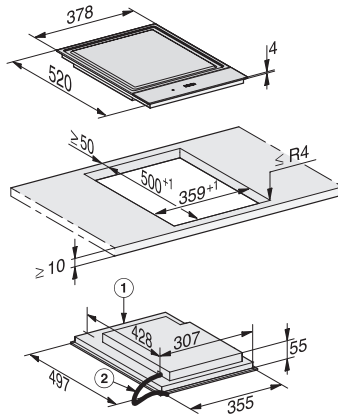
Yes

CS 7632 FL  
SmartLine element  
with induction Tepan Yaki



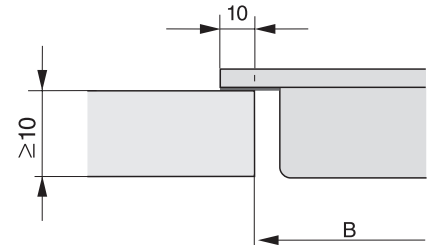
CS7632FL, flush (installation drawing)

1) Front, 2) Mains connection box with mains connection cable, L = 2000 mm, 3) Stepped cut-out, 4) Wooden frame 12 mm (supplied loose)

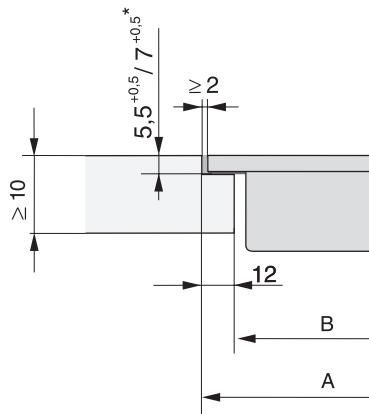


CS7632FL, flush (installation drawing)

1) Front, 2) Mains connection box with mains connection cable, L = 2000 mm

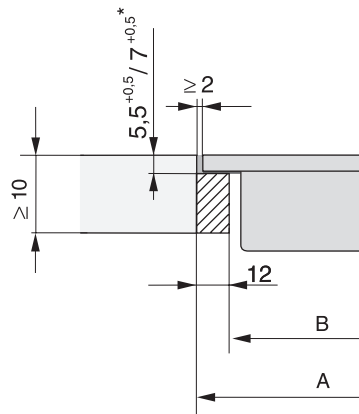


CS 7000 FL (Installation drawing)



CS 7000 FL, flush (Installation drawing)

\*7+0,5 = CS7611 (Wok)



CS 7000 FL, flush (Installation drawing)

\*7+0,5 = CS7611 (Wok)