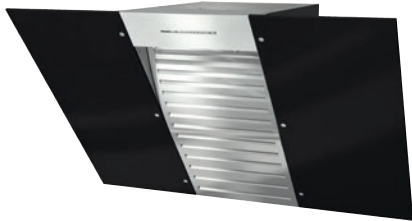


DA 6096 W Wing
Wall mounted cooker hood
with energy-efficient LED lighting and light-touch switches for easy use.

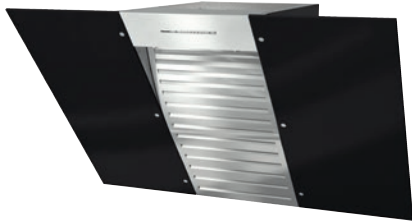


- Lots of headroom – with glass canopy 898 mm wide
- Powerful – 650 m³/h in Booster level
- Efficient filtration- 10-ply stainless-steel grease filter
- Safe and easy to clean – Miele CleanCover
- Suitable for every home – for extraction or recirculation

EAN: 4002515587515 / Material number: 10081710 / Old Material Number: 28609640GB

Construction type	
Wall mounted cooker hood	•
Operating modes	
Type of air guide	Can be retrofitted
Active charcoal filter (order separately)	DKF 25-P
Design	
Colour	Obsidian black
User convenience	
Electronic controls	•
Power levels (number without Booster level)	3
Easy-to-clean canopy interior – CleanCover	•
Efficiency and sustainability	
Annual energy consumption in kWh/year	70,4
Energy efficiency class (A+++ – D)	B
Fluid dynamic efficiency class	B
Lighting efficiency class	A
Annual energy consumption in kWh/year	70,4
Grease filtering efficiency class	B
Annual energy consumption in kWh/year	70,4
Fluid dynamic efficiency class	B
Lighting efficiency class	A
Grease filtering efficiency class	B
Filter system	
Number of dishwasher-safe stainless steel grease filters (10-ply)	1
Lighting	
LED	•
Number x W	2 x 4,5 W
Light intensity in Lx	380 lx
Colour temperature in K	3500 Kelvin
Fan	
Dual-action fan	•
AC motor	•
Exhaust air	
Air throughput in Level 1 (m ³ /h) according to EN 61591	200
Air throughput in Level 2 (m ³ /h) according to EN 61591	300
Air throughput in Level 3 (m ³ /h) according to EN 61591	400
Air throughput in Booster level (m ³ /h) according to EN 61591	650
Sound power in Level 1 (dB(A) re 1 pW) according to EN 60704-3	40,0
Sound power in Level 2 (dB(A) re 1 pW) according to EN 60704-3	48,0
Sound power in Level 3 (dB(A) re 1 pW) according to EN 60704-3	54,0
Sound power in Booster level (dB(A) re 1 pW) acc. to EN 60704-3	66,0
Sound pressure in Level 1 (dB(A) re 20 µPa) according to EN 60704-2-13	25,0
Sound pressure in Level 2 (dB(A) re 20 µPa) according to EN 60704-2-13	33,0

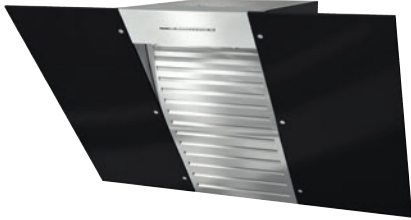
DA 6096 W Wing
Wall mounted cooker hood
with energy-efficient LED lighting and light-touch switches for easy use.



EAN: 4002515587515 / Material number: 10081710 / Old Material Number: 28609640GB

Sound pressure in Level 3 (dB(A) re 20 µPa) according to EN 60704-2-13	39,0
Sound pressure in Booster level (dB(A) re 20 µPa) acc. to EN 60704-2-13	51,0
Recirculation	
Air throughput in Level 1 (m³/h) according to EN 61591	120
Air throughput in Level 2 (m³/h) according to EN 61591	220
Air throughput in Level 3 (m³/h) according to EN 61591	320
Air throughput in Booster level 1 (m³/h) according to EN 61591	520
Sound power in Level 1 (dB(A) re 1 pW) according to EN 60704-3	48,0
Sound power in Level 2 (dB(A) re 1 pW) according to EN 60704-3	55,0
Sound power in Level 3 (dB(A) re 1 pW) according to EN 60704-3	62,0
Sound power in Booster level 1 (dB(A) re 1 pW) acc. to EN 60704-3	71,0
Sound pressure in Level 1 (dB(A) re 20 µPa) according to EN 60704-2-13	33,0
Sound pressure in Level 2 (dB(A) re 20 µPa) according to EN 60704-2-13	41,0
Sound pressure in Level 3 (dB(A) re 20 µPa) according to EN 60704-2-13	47,0
Sound pressure in Booster level 1 (dB(A) re 20 µPa) acc. to EN 60704-2-13	56,0
Safety	
Safety switch-off	•
Single-ply safety glass (ESG)	•
Technical data	
Overall hood height for extraction mode and external in mm	547
Overall hood height for recirculation and external in mm	547
Overall height for vented and external in in. (mm)	547
Canopy width in mm	898
Overall height for extraction mode and external mode cooker hoods in mm	547
Canopy height in mm	547
Overall height for recirculation in in. (mm)	547
Canopy depth in mm	523
Overall height for recirculation mode cooker hoods in mm	547
Minimum height above electric hobs in mm	450
Net weight in kg	20,0
Length of supply lead in m	1,5
Standard plug fitted	•
Hard-wired connection	•
Minimum safety distance above gas hobs (max. 12.6 kW total power, burner ≤ 4.5 kW) in mm	650
Total rated load in kW	0,20
Voltage in V	230
Fuse rating in A	10
Number of phases	1
Frequency in Hz	50

DA 6096 W Wing
Wall mounted cooker hood
with energy-efficient LED lighting and light-touch switches for easy use.



EAN: 4002515587515 / Material number: 10081710 / Old Material Number: 28609640GB

Installation notes

Extraction ducting connection at top	•
Extraction connection at top and rear	•
Diameter of exhaust duct in mm	150

Accessories included

Non-return flap	•
-----------------	---

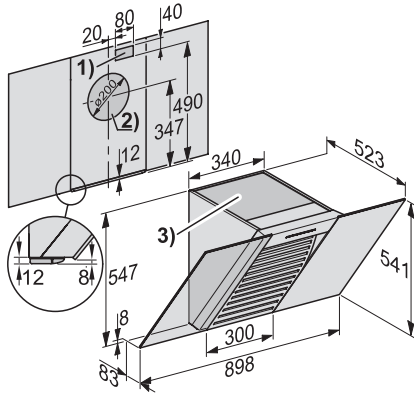
Optional accessories

Active charcoal filter	Ja
Active charcoal filter, can be reactivated	DKF 25-R
Chimney	DADC 6000

DA 6096 W Wing

Wall mounted cooker hood

with energy-efficient LED lighting and light-touch switches for easy use.



DA 6096 W – White and Black Wing (Installatin drawing)

1) Breakthrough, if the mains connection is not with mains plug but with fixed connection., 2) Breakthrough in air exhaust to the rear. Exhaust connection alternatively to the rear. , 3) Air outlet for recirculation. The distance to the ceiling or the top of the unit mounted furniture should be at least 300 mm.