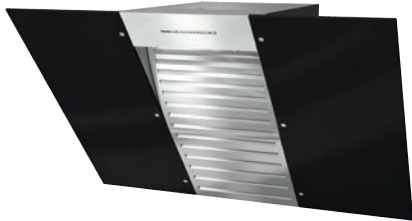


DA 6096 W Wing
Wall mounted cooker hood
with energy-efficient LED lighting and light-touch switches for easy use.



- Lots of headroom – with glass canopy 898 mm wide
- Powerful – 650 m³/h in Booster level
- Efficient filtration- 10-ply stainless-steel grease filter
- Safe and easy to clean – Miele CleanCover
- Suitable for every home – for extraction or recirculation

EAN: 4002515514412 / Material number: 09945000 / Old Material Number: 28609640D

| | |
|---|--------------------|
| Construction type | |
| Wall mounted cooker hood | • |
| Operating modes | |
| Type of air guide | Can be retrofitted |
| Active charcoal filter (order separately) | DKF 25-P |
| Design | |
| Colour | Obsidian black |
| User convenience | |
| Electronic controls | • |
| Power levels (number without Booster level) | 3 |
| Easy-to-clean canopy interior – CleanCover | • |
| Efficiency and sustainability | |
| Annual energy consumption in kWh/year | 70,4 |
| Energy efficiency class (A+++ – D) | B |
| Annual energy consumption in kWh/year | 70,4 |
| Fluid dynamic efficiency class | B |
| Lighting efficiency class | A |
| Grease filtering efficiency class | B |
| Filter system | |
| Number of dishwasher-safe stainless steel grease filters (10-ply) | 1 |
| Lighting | |
| LED | • |
| Number x W | 2 x 4,5 W |
| Light intensity in lx | 380 lx |
| Colour temperature in K | 3500 Kelvin |
| Fan | |
| Dual-action fan | • |
| AC motor | • |
| Exhaust air | |
| Air throughput in Level 1 (m ³ /h) according to EN 61591 | 200 |
| Air throughput in Level 2 (m ³ /h) according to EN 61591 | 300 |
| Air throughput in Level 3 (m ³ /h) according to EN 61591 | 400 |
| Air throughput in Booster level (m ³ /h) according to EN 61591 | 650 |
| Sound power in Level 1 (dB(A) re 1 pW) according to EN 60704-3 | 40,0 |
| Sound power in Level 2 (dB(A) re 1 pW) according to EN 60704-3 | 48,0 |
| Sound power in Level 3 (dB(A) re 1 pW) according to EN 60704-3 | 54,0 |
| Sound power in Booster level (dB(A) re 1 pW) acc. to EN 60704-3 | 66,0 |
| Sound pressure in Level 1 (dB(A) re 20 µPa) according to EN 60704-2-13 | 25,0 |
| Sound pressure in Level 2 (dB(A) re 20 µPa) according to EN 60704-2-13 | 33,0 |
| Sound pressure in Level 3 (dB(A) re 20 µPa) according to EN 60704-2-13 | 39,0 |
| Sound pressure in Booster level (dB(A) re 20 µPa) acc. to EN 60704-2-13 | 51,0 |

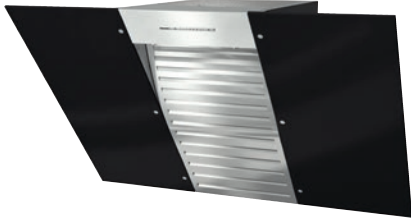
DA 6096 W Wing
Wall mounted cooker hood
with energy-efficient LED lighting and light-touch switches for easy use.



EAN: 4002515514412 / Material number: 09945000 / Old Material Number: 28609640D

| Recirculation | |
|--|------|
| Air throughput in Level 1 (m ³ /h) according to EN 61591 | 120 |
| Air throughput in Level 2 (m ³ /h) according to EN 61591 | 220 |
| Air throughput in Level 3 (m ³ /h) according to EN 61591 | 320 |
| Air throughput in Booster level 1 (m ³ /h) according to EN 61591 | 520 |
| Sound power in Level 1 (dB(A) re 1 pW) according to EN 60704-3 | 48,0 |
| Sound power in Level 2 (dB(A) re 1 pW) according to EN 60704-3 | 55,0 |
| Sound power in Level 3 (dB(A) re 1 pW) according to EN 60704-3 | 62,0 |
| Sound power in Booster level 1 (dB(A) re 1 pW) acc. to EN 60704-3 | 71,0 |
| Sound pressure in Level 1 (dB(A) re 20 µPa) according to EN 60704-2-13 | 33,0 |
| Sound pressure in Level 2 (dB(A) re 20 µPa) according to EN 60704-2-13 | 41,0 |
| Sound pressure in Level 3 (dB(A) re 20 µPa) according to EN 60704-2-13 | 47,0 |
| Sound pressure in Booster level 1 (dB(A) re 20 µPa) acc. to EN 60704-2-13 | 56,0 |
| Safety | |
| Safety switch-off | • |
| Single-ply safety glass (ESG) | • |
| Technical data | |
| Overall hood height for extraction mode and external in mm | 547 |
| Overall hood height for recirculation and external in mm | 547 |
| Overall height for vented and external in in. (mm) | 547 |
| Canopy width in mm | 898 |
| Overall height for extraction mode and external mode cooker hoods in mm | 547 |
| Canopy height in mm | 547 |
| Overall height for recirculation in in. (mm) | 547 |
| Canopy depth in mm | 523 |
| Overall height for recirculation mode cooker hoods in mm | 547 |
| Minimum height above electric hobs in mm | 450 |
| Net weight in kg | 20,0 |
| Length of supply lead in m | 1,5 |
| Standard plug fitted | • |
| Hard-wired connection | • |
| Minimum safety distance above gas hobs (max. 12.6 kW total power, burner ≤ 4.5 kW) in mm | 650 |
| Total rated load in kW | 0,20 |
| Voltage in V | 230 |
| Fuse rating in A | 10 |
| Number of phases | 1 |
| Frequency in Hz | 50 |
| Installation notes | |
| Extraction ducting connection at top | • |
| Extraction connection at top and rear | • |
| Diameter of exhaust duct in mm | 150 |

DA 6096 W Wing
Wall mounted cooker hood
with energy-efficient LED lighting and light-touch switches for easy use.



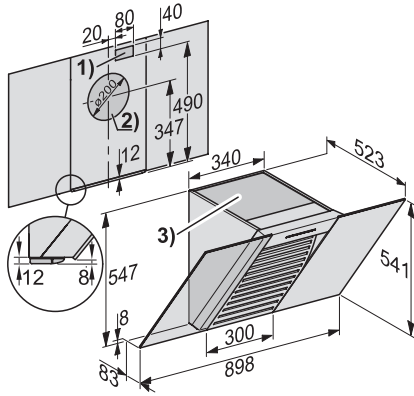
EAN: 4002515514412 / Material number: 09945000 / Old Material Number: 28609640D

| Accessories included | |
|--|-----------|
| Non-return flap | • |
| Optional accessories | |
| Active charcoal filter | Ja |
| Active charcoal filter, can be reactivated | DKF 25-R |
| Chimney | DADC 6000 |

DA 6096 W Wing

Wall mounted cooker hood

with energy-efficient LED lighting and light-touch switches for easy use.



DA 6096 W – White and Black Wing (Installation drawing)

1) Breakthrough, if the mains connection is not with mains plug but with fixed connection., 2) Breakthrough in air exhaust to the rear. Exhaust connection alternatively to the rear. , 3) Air outlet for recirculation. The distance to the ceiling or the top of the unit mounted furniture should be at least 300 mm.