

## KWT 6321 UG

Built-under wine conditioning unit

Active charcoal filter & Dynamic cooling for best storage conditions in 2 zones.



- Best storage conditions thanks to precise temperature regulation
- Odourless refrigeration section thanks to Active AirClean filters
- Present your wine in the perfect light – LED lighting
- Optimum wine protection through UV filters in tinted glass front
- Secure storage of wine bottles with pull-out racks

EAN: 4002515453339 / Material number: 09850160 / Old Material Number: 36632100GB

<b>Appliance category</b>	
Wine conditioning unit	•
<b>Construction type</b>	
Built-in appliance	•
Integrated appliance	•
Undercounter appliance	•
Door hinge	right
Convertible door hinging	•
<b>Design</b>	
Front colour	Glass door
Wine compartment lighting	LED illumination
<b>User convenience</b>	
DynaCool	•
No. of wooden racks	3
Low-vibration storage	•
<b>Control system</b>	
Operating concept	TouchControl
Independent temperature regulation of fridge and freezer zones	No
No. of temperature zones	2
Min. temperature setting range in °C	5
Max. temperature setting range in °C	20
<b>Efficiency and sustainability</b>	
Energy efficiency class (A–G)	G
Annual energy consumption in kWh	141,62
Energy consumption in 24 h in kWh	0,38
<b>Safety</b>	
Lock function	•
Acoustic door alarm	•
<b>Technical data</b>	
Niche width in mm min.	600
Niche width in mm max.	600
Niche height in mm min.	820
Niche height in mm max.	870
Niche depth in mm	580
Appliance width in mm	597
Appliance height in mm	819
Appliance depth in mm	575
Weight in kg	47,0
Climate class	N
Refrigerator compartment in l	94
Wine compartment in l	94
Total usable capacity in l	94
0.75 l Bordeaux bottle capacity (no. of bottles)	34 bottles
Storage time in case of fault in h	0
Acoustic airborne noise emission class (A–D)	C
Sound emissions in dB(A) re 1 pW	38
Current consumption (mA)	800
Voltage in V	220-240
Fuse rating in A	10

KWT 6321 UG

Built-under wine conditioning unit

Active charcoal filter & Dynamic cooling for best storage conditions in 2 zones.



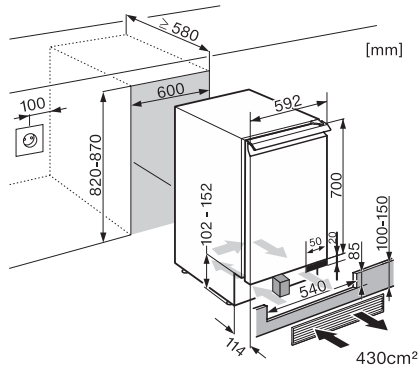
EAN: 4002515453339 / Material number: 09850160 / Old Material Number: 36632100GB

Number of phases	1
Frequency in Hz	50
Length of supply lead in m	2,0
<b>Accessories included</b>	
Active AirClean filter	•

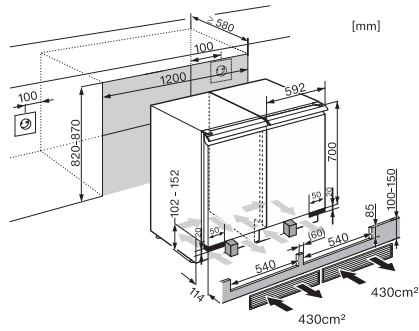
## KWT 6321 UG

Built-under wine conditioning unit

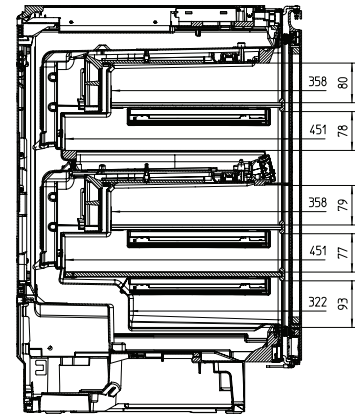
Active charcoal filter & Dynamic cooling for best storage conditions in 2 zones.



KWT6321UG (installatin drawing)



KWT6321UG, Side by Side (installation drawing)



KWT6321UG, Interior dimensions (Installation drawings)